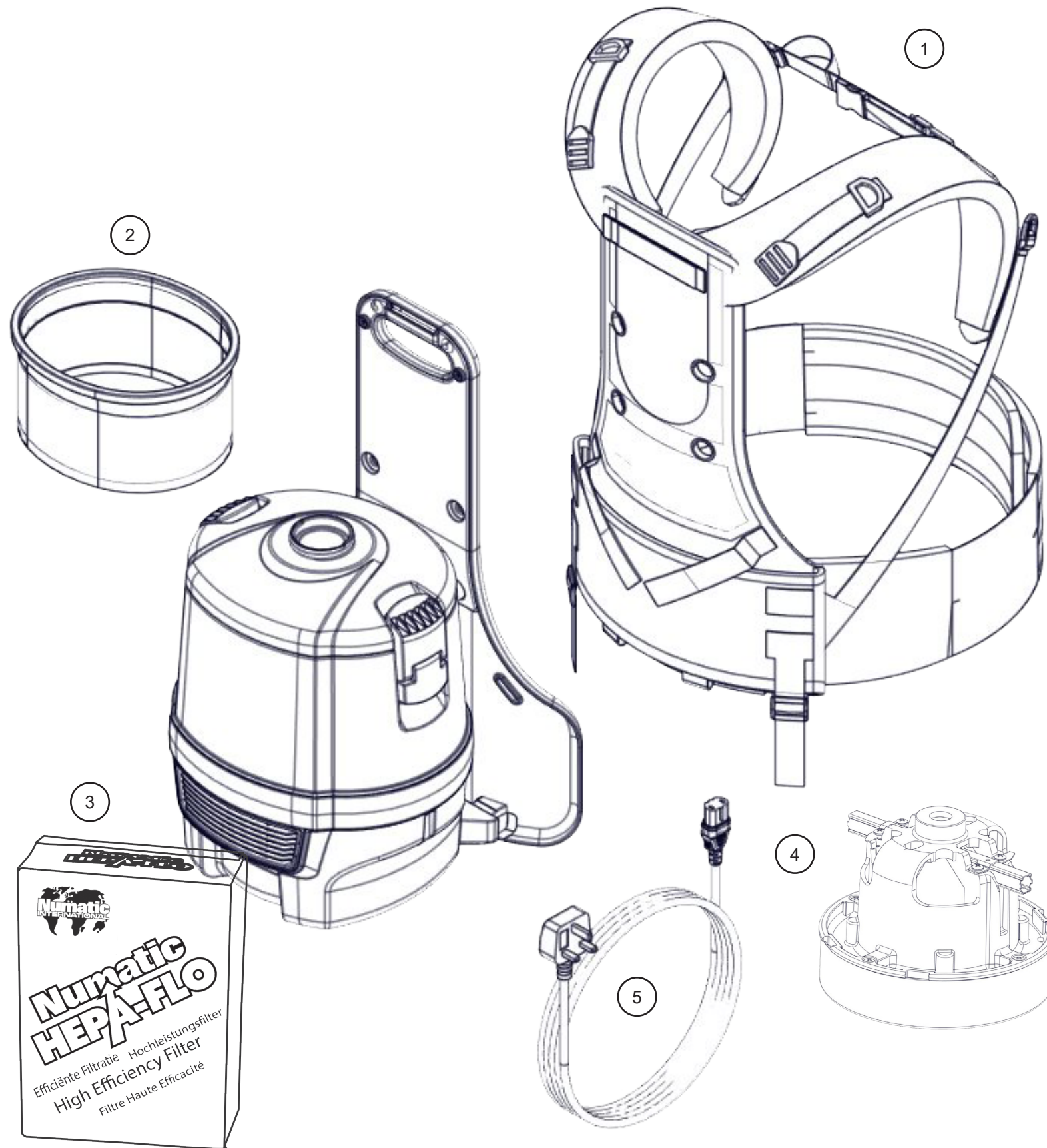
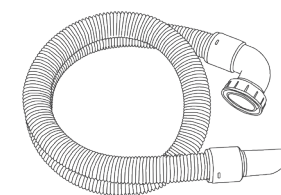


Exploded Spare Parts RSV150

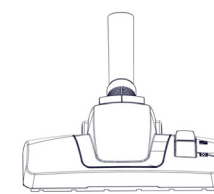


Num	Description				Num
1	RUCKSACK HARNESS - RSB150/RSV150 (RED)				912533
2	SHORT BACKPACK TRITEX FILTER				910915
3	NVM-1AH INDIVIDUAL HEPAFLO FILTER BAG (RSV130)				604018
4	230V SINGLE STAGE TF MOTOR (DLI 653T) TCO (6210820147)				908947
5	15MT X 1MM X 2CORE CABLE UK PLUG	910610	5	15MT X 1MM X 2CORE CABLE YELLOW AUS+NZ PLUG	910477
5	15MT X 1MM X 2CORE CABLE EURO PLUG YELLOW JACKET	911347	5	15MT X 1MM X 2CORE CABLE RSA PLUG YELLOW JACKET	910481
5	15MT X 1MM X 2CORE CABLE SWISS PLUG YELLOW JACKET	911346	5	CSA/USA 10A.2PIN PLUG SJT (105 DEG) 2 X 18AWG.15M.22205 YELLOW	912333

Genuine Accessories (Kit AAT30E(280))



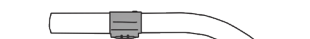
914980 RSV/RSB Threaded Hose



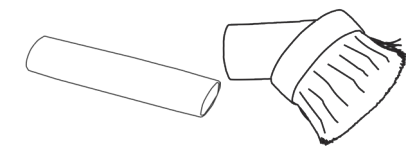
912358 (280)
Combination Floor Tool



914759 Ali Telescopic Wand



915195 Ali BLK Wand



909564 Handy Kit



Numatic International Limited, Chard, Somerset, TA20 2GB
Telephone: 01460 68600
Fax: 01460 68458

UNITED KINGDOM: www.numatic.co.uk
NETHERLANDS: www.numatic.nl
PORTUGAL: www.numatic.pt

GERMANY: www.numatic.de
SWITZERLAND: www.numatic.ch
SPAIN: www.numatic.es

FRANCE: www.numatic.fr
SOUTH AFRICA: www.numatic.co.za

www.numatic.co.uk

Specification subject to change without prior notice
www.numatic.co.uk © Numatic International Limited

MED-000933 06/22 (A03)