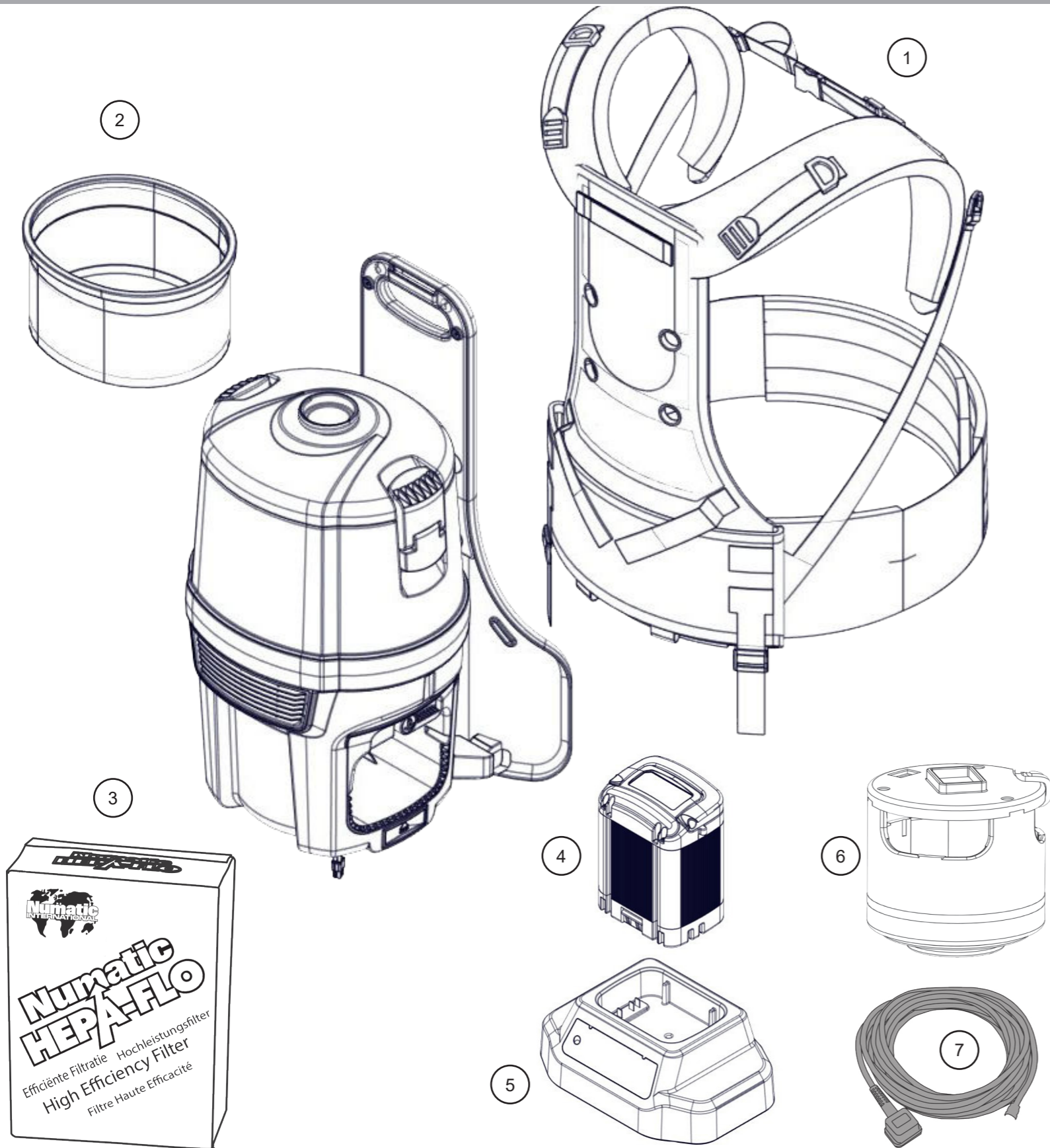
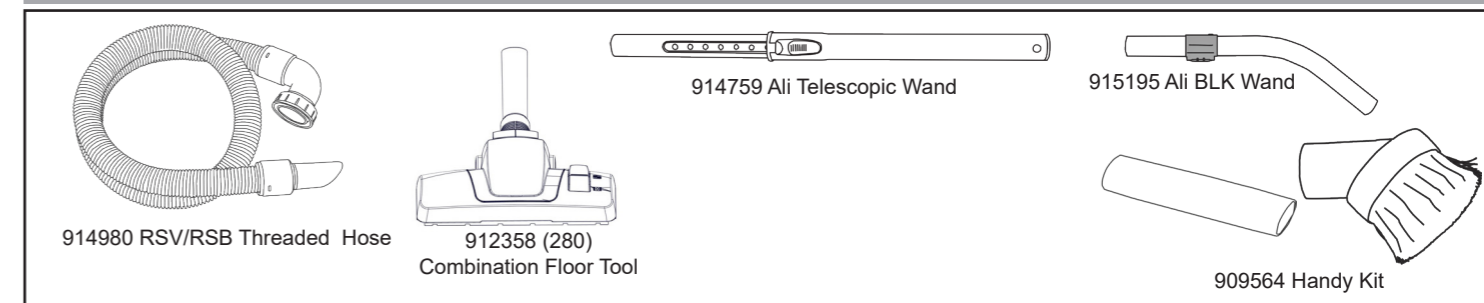


# Exploded Spare Parts RSB150NX



Num	Description	Num			
1	RUCKSACK HARNESS - RSB150/RSV150 (RED)	912533			
2	SHORT BACKPACK TRITEX FILTER	910915			
3	NVM-1AH INDIVIDUAL HEPAFLO FILTER BAG (RSV130)	604018			
4	NX 300.LITHIUM ION BATTERY (300W/HR) PACKED.UN3480	909996			
5	NX.300 LITHIUM BATTERY CHARGER [5]	911335			
6	SIP CINDERSON 74MM 36V MOTOR (350W/200W)	911895			
7	MAINS CABLE.BLACK.1800.0m75.3 UK PLUG.	912365	7	MAINS CABLE.BLACK.1800.1.3. SWISS PLUG.	912364
7	MAINS CABLE.BLACK.1800.0m75.3.EUROPEAN PLUG.	912361	7	MAINS CABLE.BLACK.1800.18AWG.3. NORTH AMERICAN PLUG.	912362
7	MAINS CABLE.BLACK.1800.1.3. AUSTRALIAN PLUG.	912360	7	MAINS CABLE.BLACK.1800.1.3. SOUTH AFRICAN PLUG.	912363

## Genuine Accessories (Kit AAT30E(280))

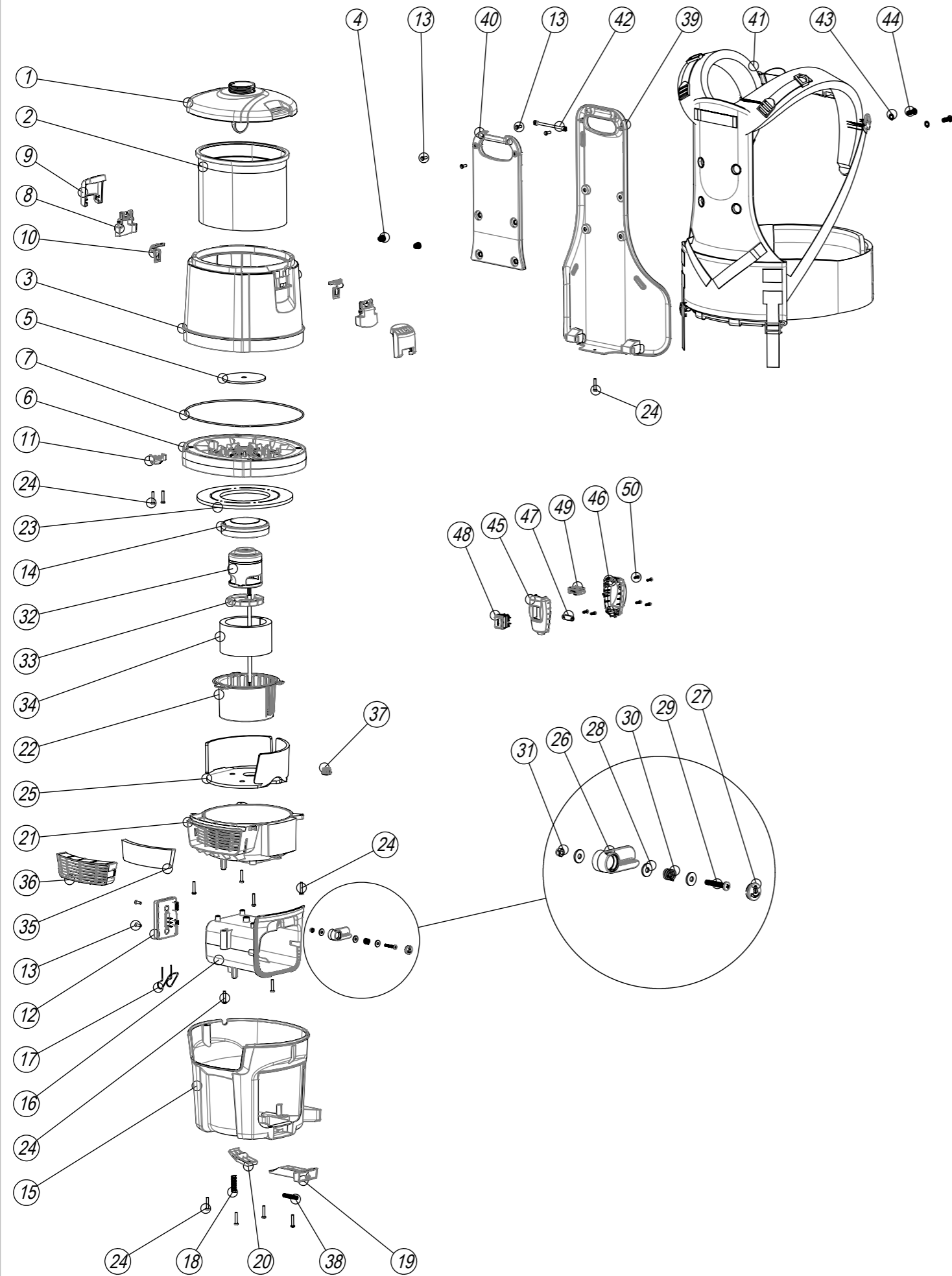


# Numatic International Spare Parts

**Model No:** EXPLODED - RSB150 (CORDLESS BACKPACK)

911071  
DRAWING: DRW-31358 ISS:A08  
24/02/2021

NB: FOR WIRING SEE DRAWING: DRW-30647



# Numatic International Spare Parts

**Model No:** EXPLODED - RSB150 (CORDLESS BACKPACK)

ITEM NO.	PART NUMBER	DESCRIPTION	QTY	COMMENTS:
1	910932	DUST CONTAINER LID	1	
2	910915	SHORT BACKPACK TRITEX FILTER	1	
3	910928	DUST CONTAINER - SHORT	1	
4	219453	M8 MULTISERT	2	
5	209085	RSB BURST BAG FILTER	1	
6	910922	DUST CONTAINER BASE	1	
7	910940	SILICONE FOAM CORD SEAL	1	
8	910971	TOGGLE LEVER	2	SNAP TOGGLE ASSEMBLES INTO DUST CONTAINER
9	910927	TOGGLE LATCH	2	
10	910953	TOGGLE RETAINER	2	
11	911171	CORDLESS CABLE RETAINER	1	
12	910251	CORDLESS RUCKSACK PCB ASSEMBLY	1	
13	291152	NO8.1/2 INCH LG.T20.SCREW.Z/PL.PLASTITE	6	FOR 2x HARNESS PIN SCREWS ONLY: TORQUE TO 1.6Nm ± 1.5 ALL OTHER SCREWS: TORQUE TO 2.6Nm ± 1.5
14	911903	CORDLESS MOTOR GASKET - CINDERSON	1	
15	910919	CORDLESS BASE COVER	1	
16	910921	BATTERY HOUSING	1	
17	216655	BATTERY RELEASE SPRING	1	
18	216465	11MM COIL SPRING	1	
19	911053	BATTERY EJECT BUTTON	1	50N MAX PUSH FORCE
20	911049	BATTERY LATCH	1	
21	911001	CORDLESS AIRPATH	1	
22	911901	CORDLESS AIRGUIDE - CINDERSON	1	
23	910936	ACOUSTIC MATERIAL - BASE	1	
24	291082	#8 SCREW 1"L T20 PAN HEAD P/L THREAD FORMING	13	TORQUE TO 2.6Nm ± 1.5
25	910938	ACOUSTIC MATERIAL - SIDES	1	ADHESIVE STRIPS STICK TO CORDLESS AIRPATH
26	910635	BATTERY RETAINER	1	
27	910636	BATTERY RETAINER CAP	1	
28	219005	M5 FORM G WASHER	3	
29	299020	M5 X 30MM LONG POZI PAN SCREW	1	TIGHTEN UNTIL BOLT LEVEL WITH END OF NUT
30	206599	SPRING (REF:C5514370)	1	
31	219076	M5 NYLON INSERT NUT	1	
32	911895	SIP CINDERSON 74MM 36V MOTOR (350W/200W)	1	
33	911902	MOTOR MOUNT - CINDERSON	1	
34	910941	RUCKSACK ACOUSTIC FELT (FITTED)	1	
35	911004	RUCKSACK EXHAUST FOAM	1	
36	910950	EXHAUST GRILL	1	
37	911088	WIRE GROMMET	1	
38	219732	COMPRESSION SPRING	1	
39	911051	BACK SUPPORT MOULDING (WITHOUT MOUNTING FEATURE)	1	
40	911002	BACK SUPPORT INSERT	1	
41	912533	RUCKSACK HARNESS - RSB150/RSV150 (RED)	1	
42	206353	HARNESS PIN	1	
43	219018	M8 SHAKEPROOF WASHER	2	
44	219658	M8 X 22MM LONG SOCKET BOLT	2	TORQUE TO 2.6Nm ± 1.5
45	237594	RSV SWITCH MODULE HOUSING (1/2)	1	
46	237595	RSV SWITCH MODULE HOUSING (2/2)	1	
47	392305	REMOTE CABLE CLAMP	1	
48	903963	SWITCH.DPDT.RKR.HV	1	
49	903030	LED BATTERY LIFE INDICATOR WITH PCB	1	
50	219667	No6 X 1/2" LONG PLASTITE SCREW	6	TORQUE TO 1.6Nm ± 1.5