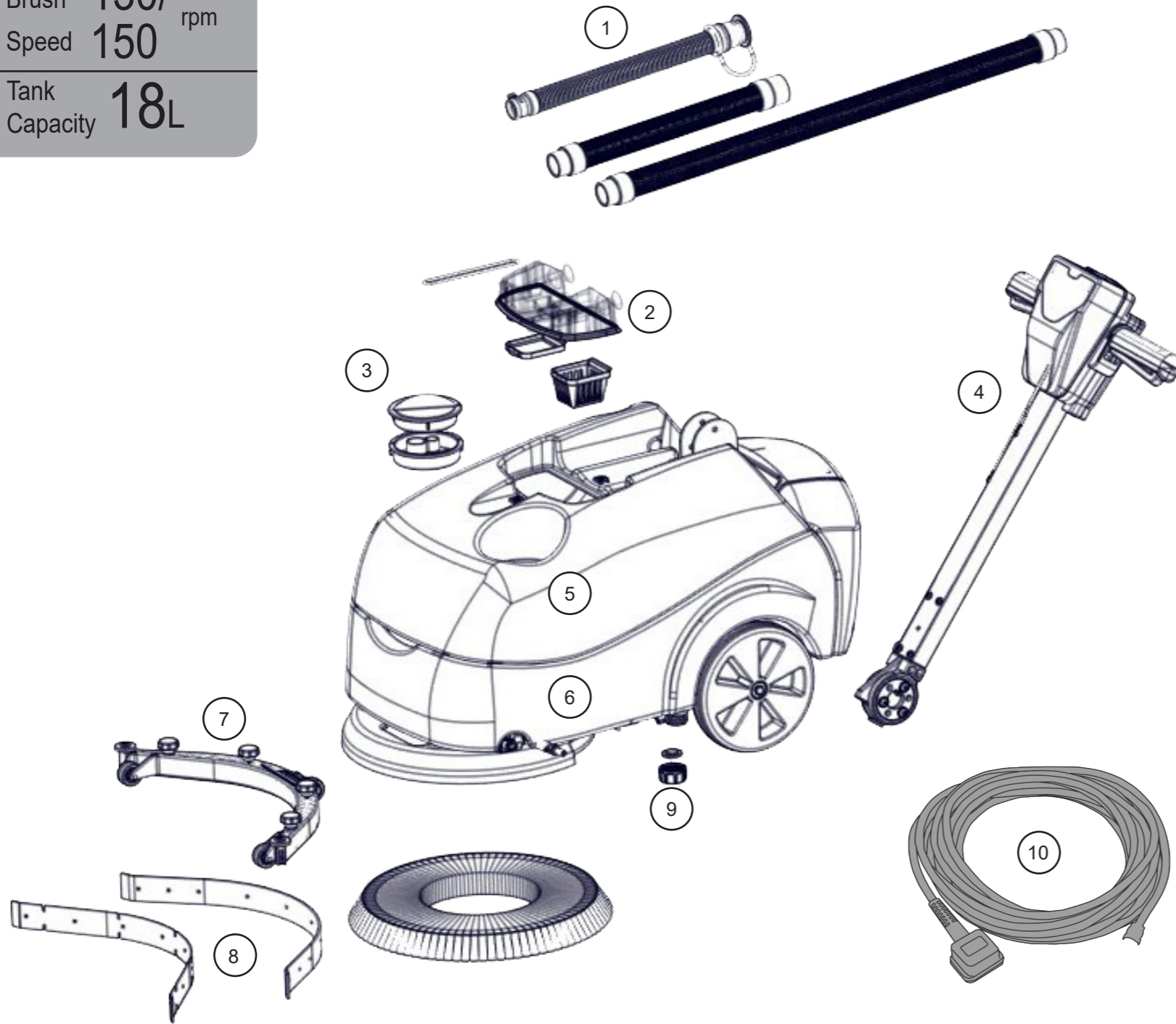


Exploded Spare Parts TTB1840NX



TTB1840NX

Brush 130/
Speed 150 rpm
Tank Capacity 18L



Genuine Accessories

Num	Description	Num
	TTB 1840 DUMP HOSE / 32MM HOSE CAP RED	208466 / 903325
1	TTB 1840 SUCTION HOSE	213054
	TTB 1840 VAC HOSE	213055
2	TTB 1840 SEPERATOR ASSEMBLY	330026
	TTB 1840 SEPERATOR FILTER	906070
	TTB.1840 GRIT BASKET	237232
	O RING 95MM DIA X 3MM	208715
3	TTB 1840 FILLER CAP ASSEMBLY	303985
	FILLER CAP LID (RED)	903544
4	TTB1840 HANDLE ASSEMBLY.36V	911565
5	TTB.1840G TOP TANK ASSEMBLY	903931
6	TTB.1840.36V BASE ASSEMBLY	911698
7	TTB 1840 SQUEEGEE ASSEMBLY	903532
8	REPLACEMENT BLADE SET (2 PIECES)	903531
9	SEALING BUNG	905467
	CAP MOULDING (RED)	905628
10	MAINS CABLE.BLACK.1800.0m75.3.UK PLUG.VNBC13S PLUG	912365

TTB.1840NX

606102	400MM UNION MIX BRUSH	900524	360MM NULOC2 DRIVE BOARD TT-TTB 1840
606105	400MM POLYSCRUB SCRUBBING BRUSH	900967	NUPLEX PADS - 3 PACK 350MM
606302	370MM LONGLIFE SCRUBBING BRUSH	900975	NUPLEX PADS - 5 PACK 350MM
606303	370 LONGLIFE LIGHT SCRUBBING BRUSH	903531	TT1840G/TTB1840G BLADE SET (2 PIECES)
909996	BATTERY.36.8700	208471	CONSTANT TENSION CLIP(DUMP HOSE)
911334	LITHIUM BATTERY CHARGER	901880	PROTECTION PLUG
912365	CHARGER CABLE (UK)	303961	TANK FILTER ASSEMBLY
208455	M5 KNOB(BLACK)		

Disclaimer: Many factors beyond Numatic International Ltd control plus end user knowledge and control can affect the use and performance of a Numatic International Ltd product in a particular application.

The user is solely responsible for evaluating Numatic International Ltd products and evaluating if said product is suitable for a particular purpose and user's method of application.



Numatic International Limited, Chard, Somerset, TA20 2GB
Telephone: 01460 68600
Fax: 01460 68458

UNITED KINGDOM: www.numatic.co.uk
NETHERLANDS: www.numatic.nl
PORTUGAL: www.numatic.pt

GERMANY: www.numatic.de
SWITZERLAND: www.numatic.ch
SPAIN: www.numatic.es

FRANCE: www.numatic.fr
SOUTH AFRICA: www.numatic.co.za

Specification subject to change without prior notice
www.numatic.co.uk © Numatic International Limited

MED-001002 03/21 (A01)