

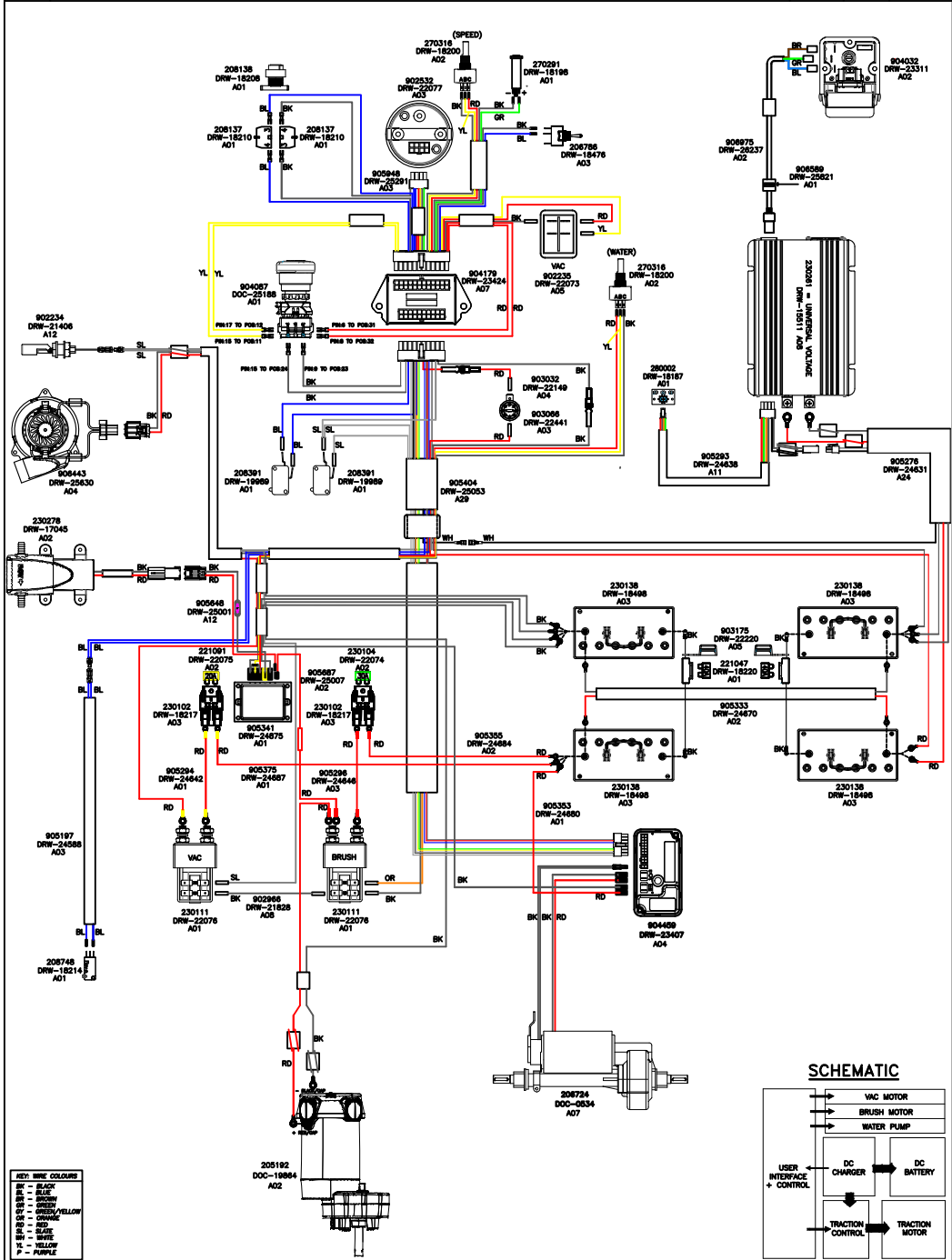
WIRING DIAGRAM

COMP. No
905434

DRG. No
DRW-24725

WIRING DIAGRAM.1S.3WCR.230.56.TD.PLG

ISSUE	REVISION	DRAWN/APPD.	DATE
A29	UPDATED 905276 TO THE LATEST REVISION PROJ 1621	FP MB	25/10/17



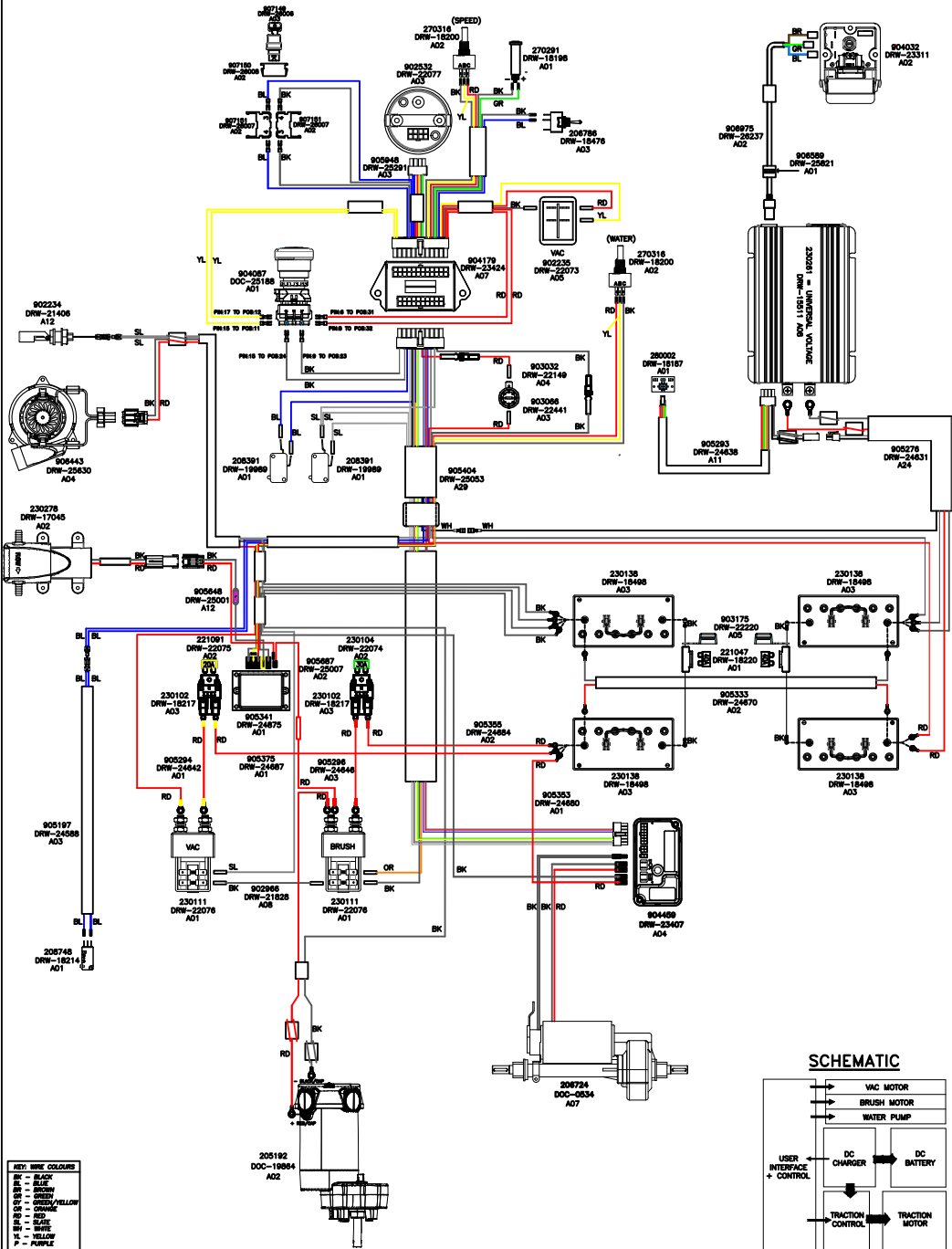
WIRING DIAGRAM

COMP. NO
905434

DRG. NO
DRW-24725

WIRING DIAGRAM.TWINTEC.1S.3WCR.230.56.TD.PLG

ISSUE	REVISION	DRAWN/APPD.	DATE
A32	KEYSWITCH UPDATED REF: PROJ-1310	AM MC	19/01/18



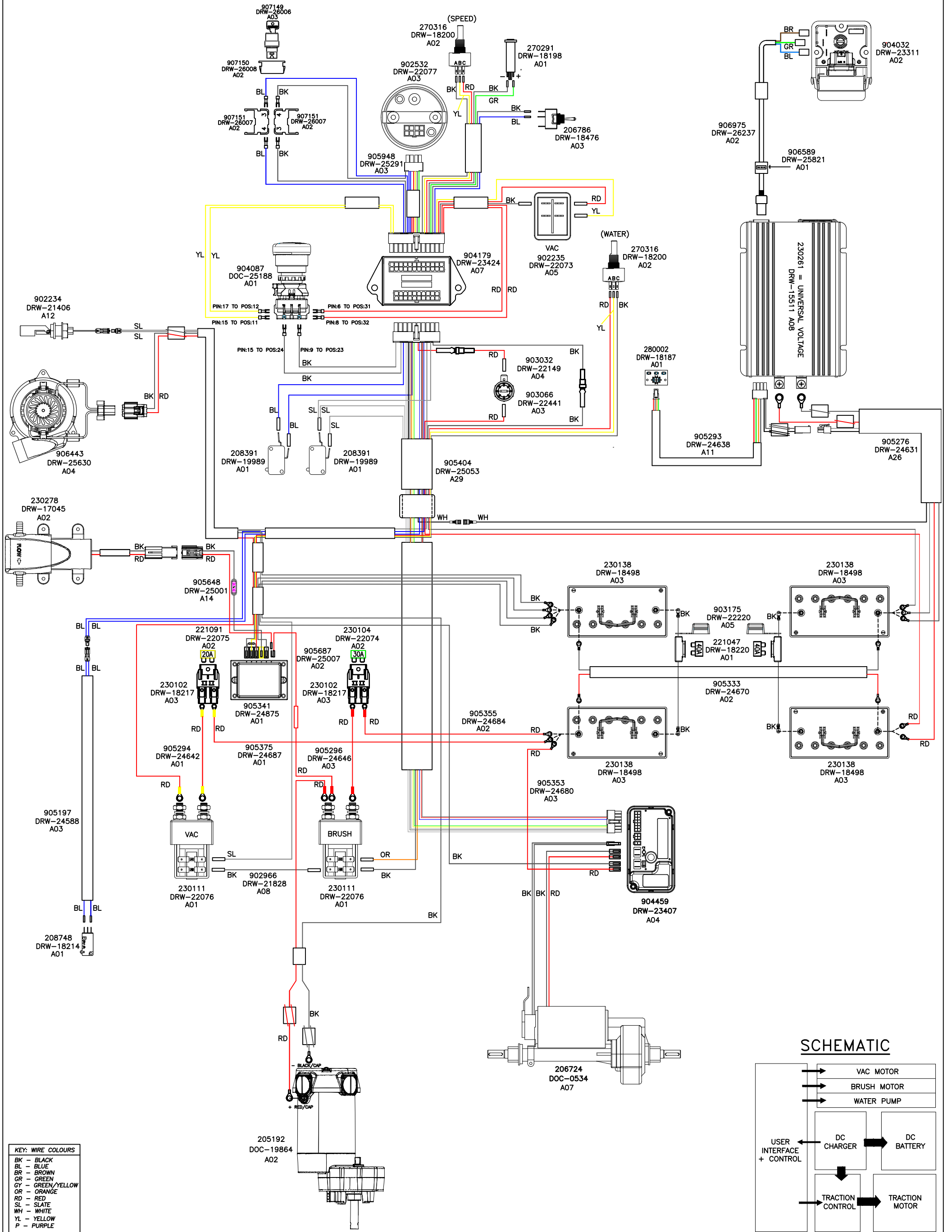
WIRING DIAGRAM

COMP. No
905434

DRG. No
DRW-24725

WIRING DIAGRAM.TWINTEC.1S.3WCR.230.56.TD.PLG

ISSUE	REVISION	DRAWN	APPD.	DATE
A39	REVISION OF 905648 UPDATED REF PROJ-2074	AM	MC	13/09/18



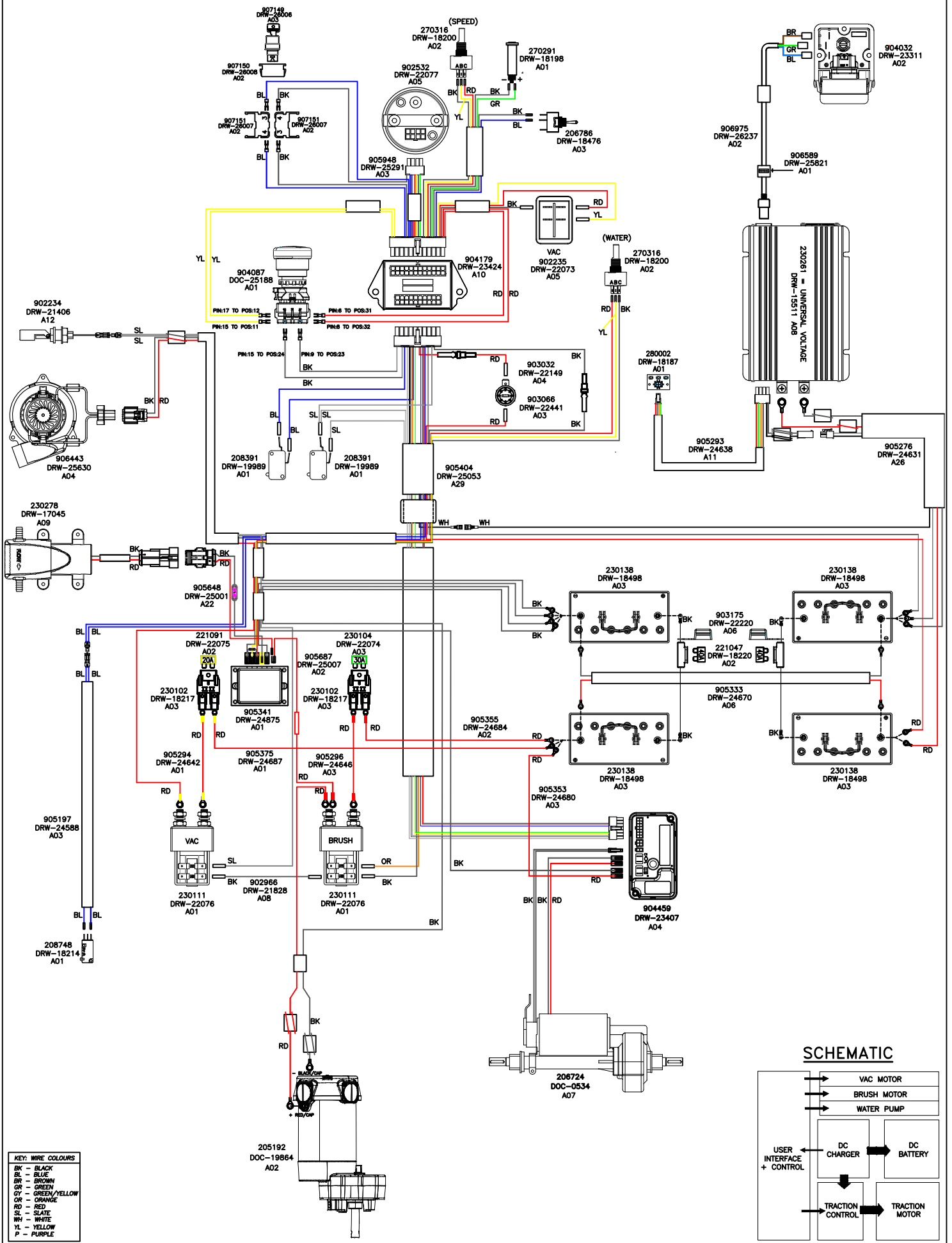
WIRING DIAGRAM

COMP. No
905434

DRG. No
DRW-24725

WIRING DIAGRAM.TWINTEC.1S.3WCR.230.56.TD.PLG

ISSUE	REVISION	DRAWN	APPD.	DATE
A42	REVISION OF TERMINAL BLOCK 904179 UPDATED TO A10 REF PRJ000059 + SOME OTHER REVISIONS UPDATED DUE TO FUSION DATA CLEAN UP	AM	MC	20/05/19



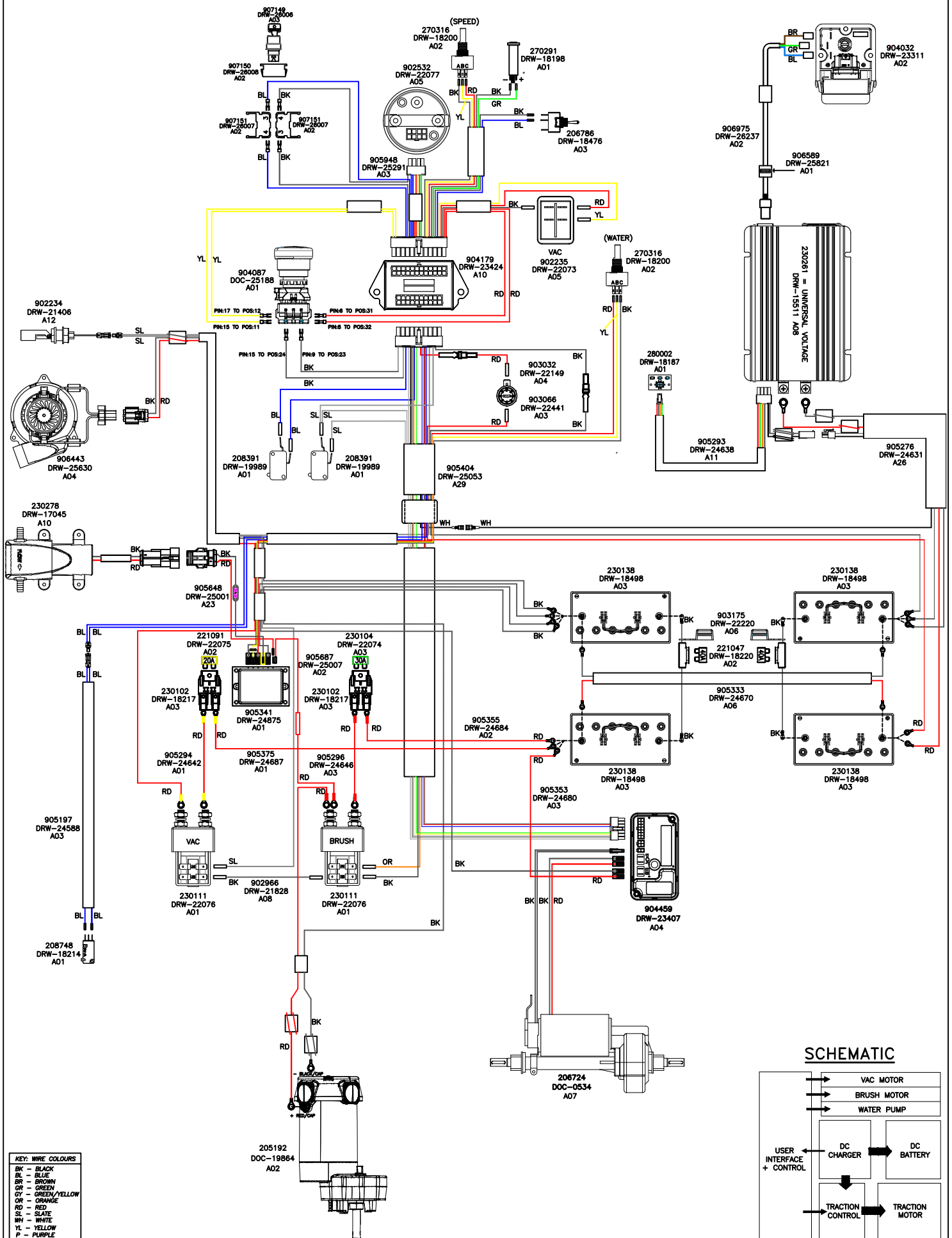
WIRING DIAGRAM

COMP. No
905434

DRG. No
DRW-24725

WIRING DIAGRAM.TWINTEC.1S.3WCR.230.56.TD.PLG

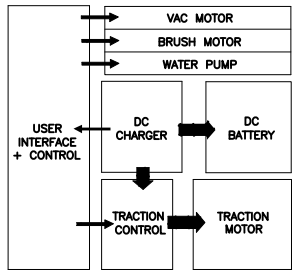
ISSUE	REVISION	DRAWN	APPD.	DATE
A43	905648 PUMP LOOM DRAWING & 230278 PUMP REVISIONS UPDATED REF: PRJ000261	AM	MC	17/06/19



KEY: WIRE COLOURS

BK	- BLACK
BL	- BLUE
BR	- BROWN
GR	- GREEN
GY	- GREEN/YELLOW
OR	- ORANGE
RD	- RED
SL	- SLATE
WH	- WHITE
YL	- YELLOW
P	- PURPLE

SCHEMATIC



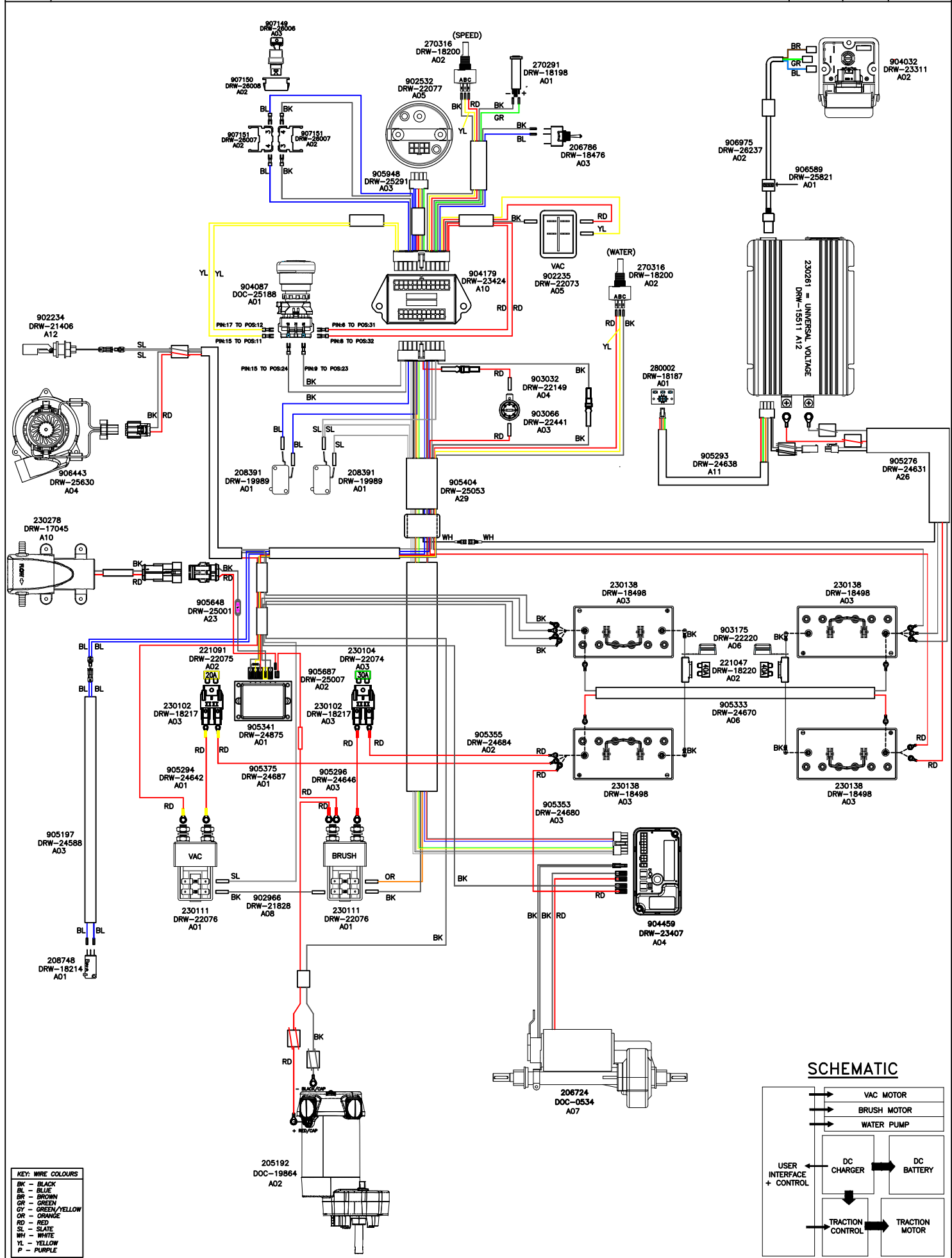
WIRING DIAGRAM

COMP. No
905434

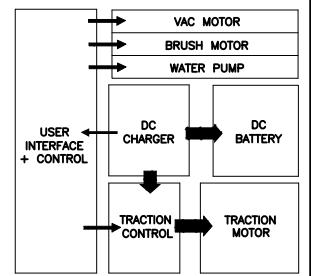
DRG. No
DRW-24725

WIRING DIAGRAM.TWINTEC.1S.3WCR.230.56.TD.PLG

ISSUE	REVISION	DRAWN	APPD.	DATE
A44	230261 REVISION A12 REF PRJ000205.	AM	MC	05/07/19



SCHEMATIC



KEY: WIRE COLOURS

BK	-	BLACK
BL	-	BLUE
BR	-	BROWN
GR	-	GREEN
GY	-	GREEN/YELLOW
OR	-	ORANGE
RD	-	RED
SL	-	SLATE
WH	-	WHITE
YL	-	YELLOW
P	-	PURPLE

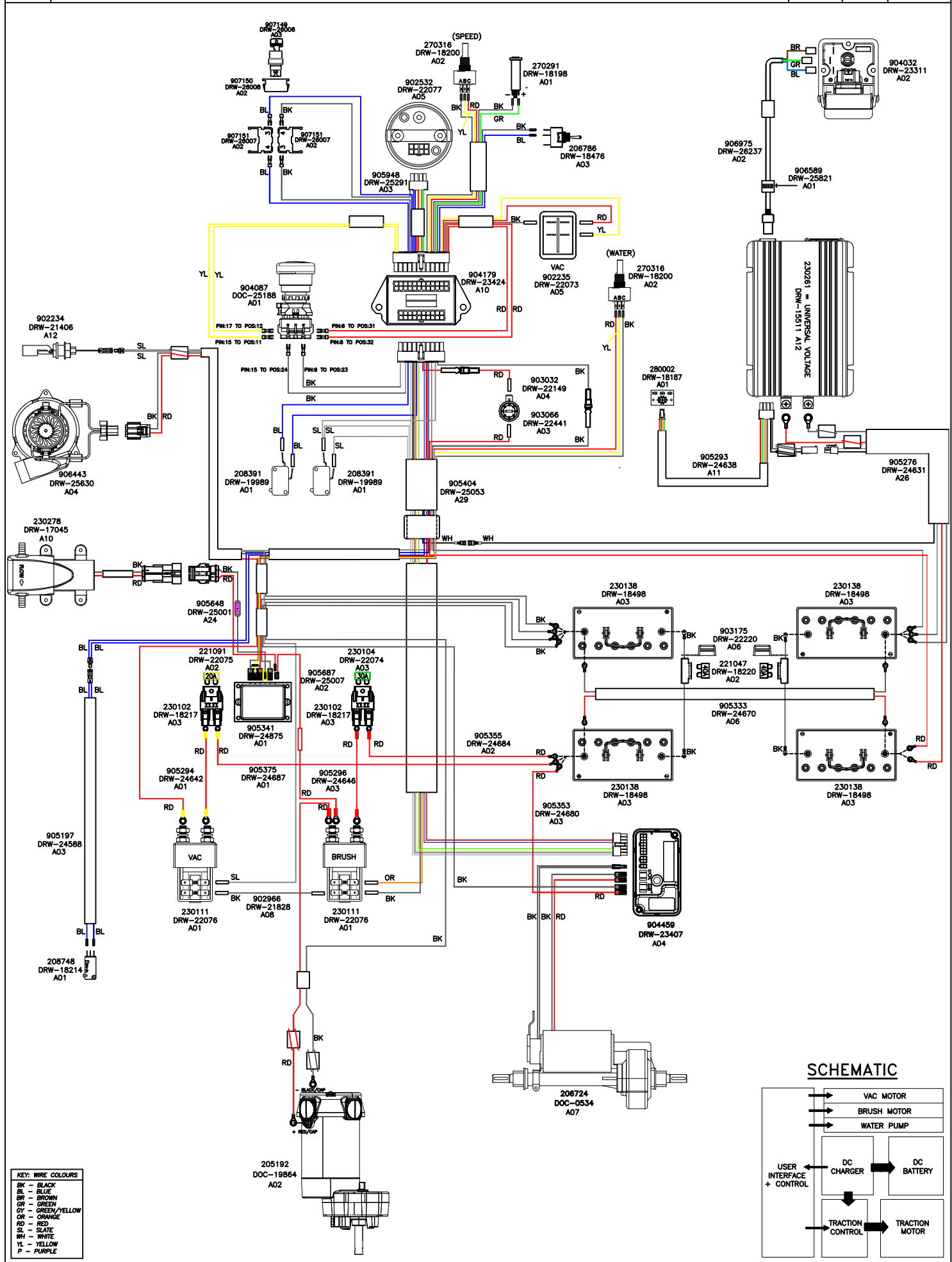
WIRING DIAGRAM

COMP. No
905434

DRG. No
DRW-24725

WIRING DIAGRAM.TWINTEC.1S.3WCR.230.56.TD.PLG

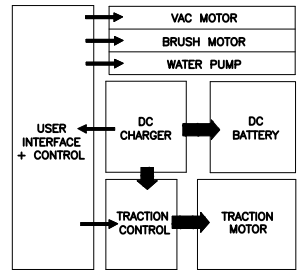
ISSUE	REVISION	DRAWN	APPD.	DATE
A45	REVISION UPDATED FOR ITEM 905648 LOOM REF PRJ000309	AM	MC	07/10/19



KEY: WIRE COLOURS

BK	- BLACK
BL	- BLUE
BR	- BROWN
GR	- GREEN
GY	- GREEN/YELLOW
OR	- ORANGE
RD	- RED
SL	- SLATE
WH	- WHITE
YL	- YELLOW
P	- PURPLE

SCHEMATIC



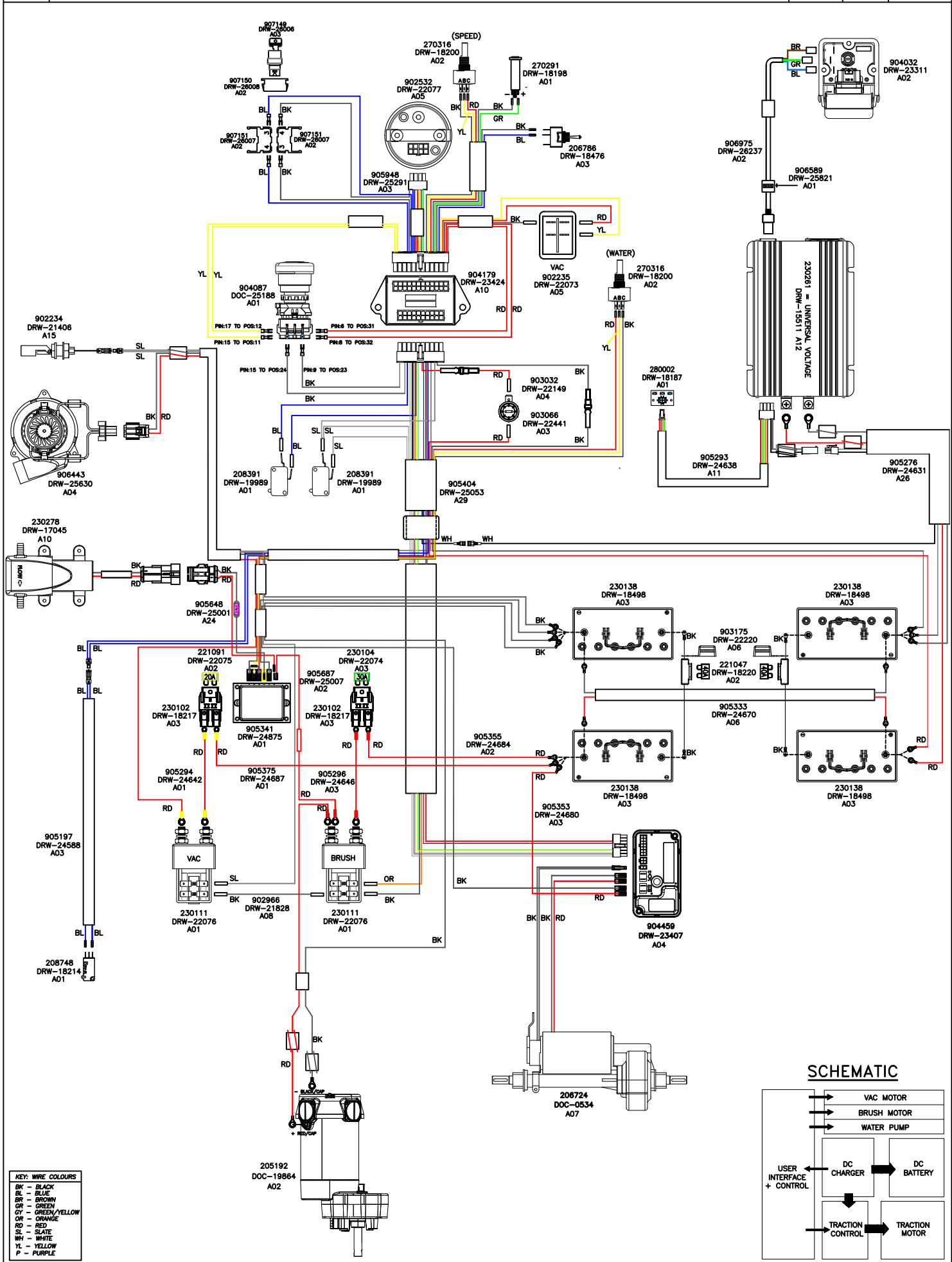
WIRING DIAGRAM

COMP. No
905434

DRG. No
DRW-24725

WIRING DIAGRAM.TWINTEC.1S.3WCR.230.56.TD.PLG

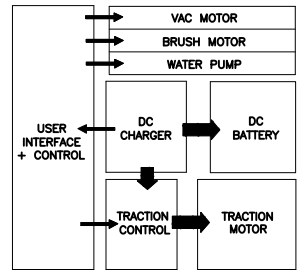
ISSUE	REVISION	DRAWN	APPD.	DATE
A46	FLOAT SWITCH 902234 REVISION UPDATED TO LATEST REF PRJ000513	AM	AS	06/12/19



KEY: WIRE COLOURS

BK	- BLACK
BL	- BLUE
BR	- BROWN
GR	- GREEN
GY	- GREEN/YELLOW
OR	- ORANGE
RD	- RED
SL	- SLATE
WH	- WHITE
YL	- YELLOW
P	- PURPLE

SCHEMATIC



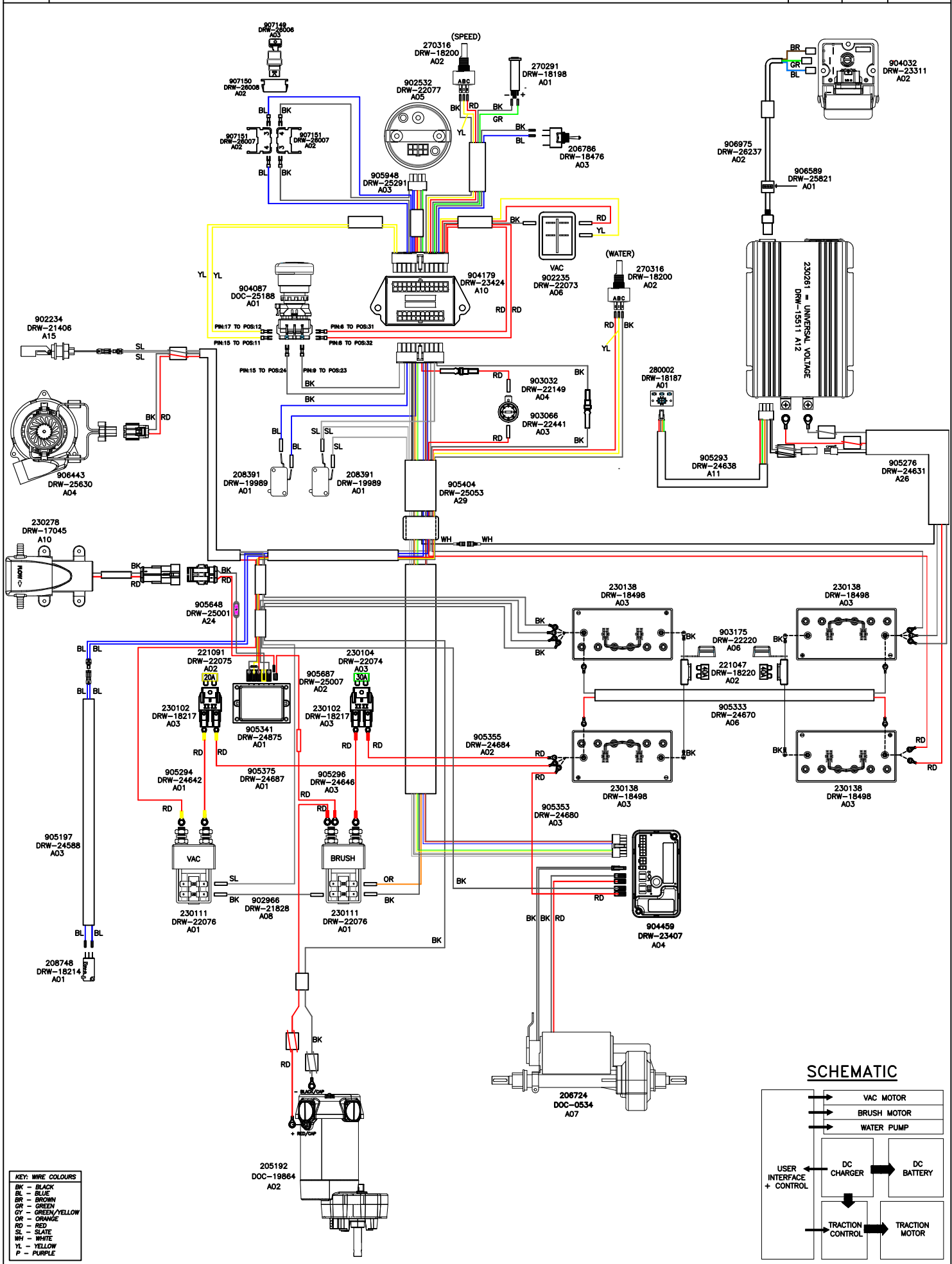
WIRING DIAGRAM

COMP. No
905434

DRG. No
DRW-24725

WIRING DIAGRAM.TWINTEC.1S.3WCR.230.56.TD.PLG

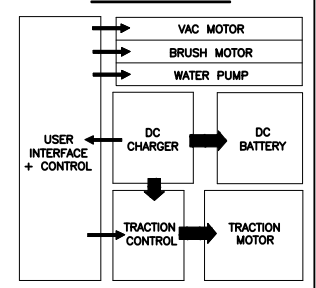
ISSUE	REVISION	DRAWN	APPD.	DATE
A47	SWITCH- 902235 REVISION UPDATE REF PRJ000020	AS	AS	19/02/20



KEY: WIRE COLOURS

BK	- BLACK
BL	- BLUE
BR	- BROWN
GR	- GREEN
GY	- GREEN/YELLOW
OR	- ORANGE
RD	- RED
SL	- SLATE
WH	- WHITE
YL	- YELLOW
P	- PURPLE

SCHEMATIC



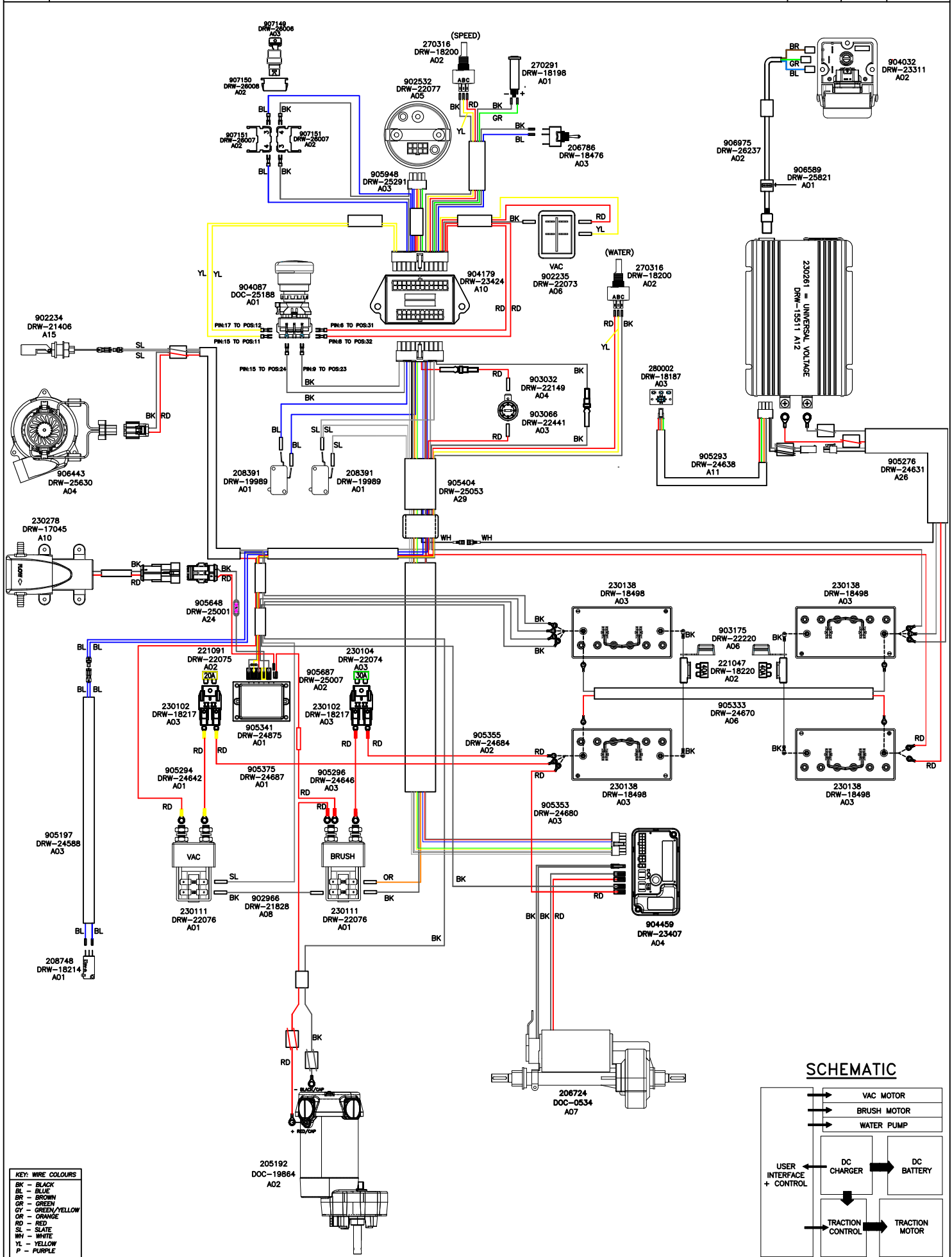
WIRING DIAGRAM

COMP. No
905434

DRG. No
DRW-24725

WIRING DIAGRAM.TWINTEC.1S.3WCR.230.56.TD.PLG

ISSUE	REVISION	DRAWN	APPD.	DATE
A48	PRJ000793 - 280002 CHARGER LED DISPLAY PCB REVISION UPDATE	AS	AS	17/03/20



KEY: WIRE COLOURS

BK	- BLACK
BL	- BLUE
BR	- BROWN
GR	- GREEN
GY	- GREEN/YELLOW
OR	- ORANGE
RD	- RED
SL	- SLATE
WH	- WHITE
YL	- YELLOW
P	- PURPLE

SCHEMATIC

