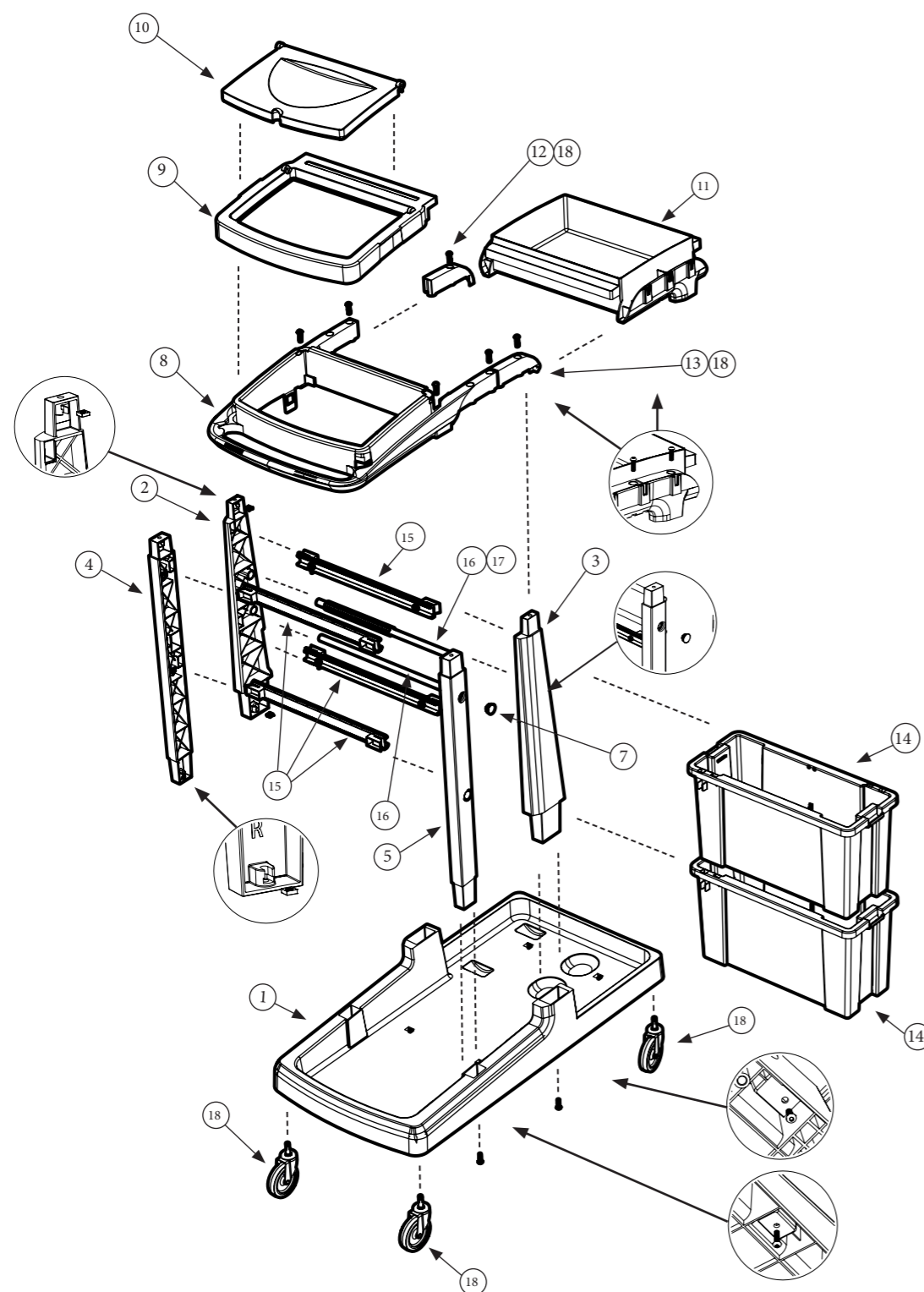


Exploded Spare EcoMatic EM-5



Number	Description	Part Number	Quantity
1	Ecomatic black reflo base printed numatic reflo - long	909997	1
2	Front left hand black reflo upright assembly with nut & bolt fitted	910699 <i>(vendus uniquement en kit)</i>	1
3	Front right hand black reflo upright assembly with nut & bolt fitted		1
4	Rear left hand black reflo upright assembly with nut & bolt fitted		1
5	Rear right hand black reflo upright assembly with nut & bolt fitted		1
6	Lock (x2) (Eco-matic) - Optional lock kit for uprights		910842
7	Door hole plug graphite	902984	4
8	Ecomatic bag frame black reflo	909358	1
9	Bag securing frame black reflo	909187	1
10	Lid blue	909362	1
11	Top tray black reflo with nuts & bolts fitted	909357	1
12	Black reflo left hand cover	910729	1
13	Black reflo right hand cover	910732	1
14	Narrow black reflo storage box with roller wheels	909995	2
15	Runner black reflo	909364	4
16	Press support tube painted silver	909361	2
17	Tube profile	910762	2
18	4 x 4 Inch castor	908204	1
19	Ecomatic buffer set (x4) - Optional	910757	1
20	M8 x 25mm LG.Socket bolt Z/PL	219555	-
21	Nut M8 Plain Z/PL	219079	-
21	120-Litre grey waste bags (roll of 10 - 700mm x 1100mm) - Optional	908229	0.1

Revision	A01
Part Number	912037



Numatic International Limited, Chard, Somerset, TA20 2GB
 Telephone: 01460 68600
 Fax: 01460 68458

UNITED KINGDOM: www.numatic.co.uk
NETHERLANDS: www.numatic.nl
PORTUGAL: www.numatic.pt

GERMANY: www.numatic.de
SWITZERLAND: www.numatic.ch
SPAIN: www.numatic.es

FRANCE: www.numatic.fr
SOUTH AFRICA: www.numatic.co.za

www.numatic.co.uk

Specification subject to change without prior notice
 www.numatic.co.uk © Numatic International Limited