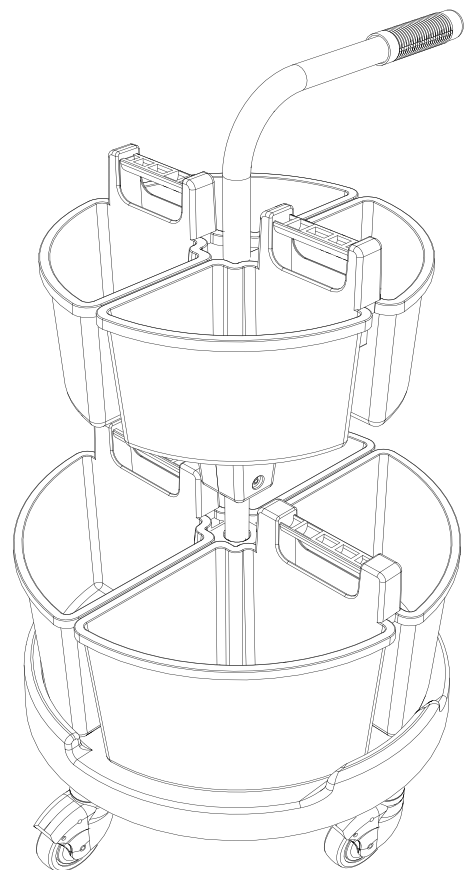
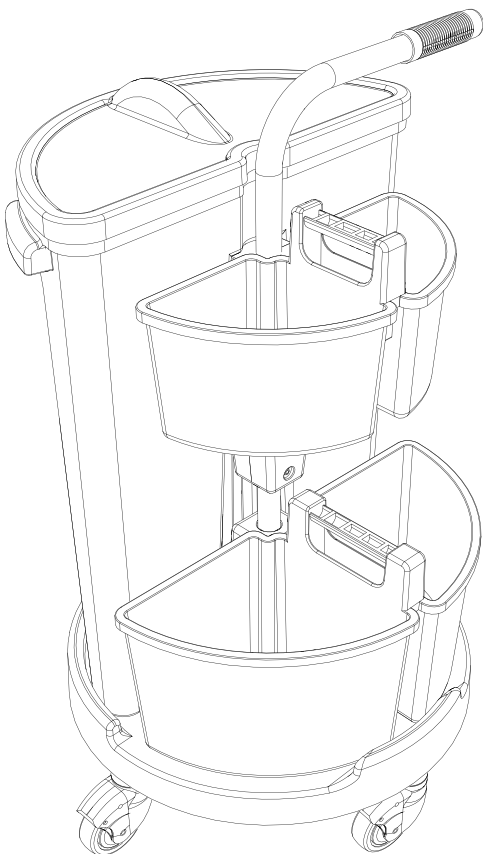
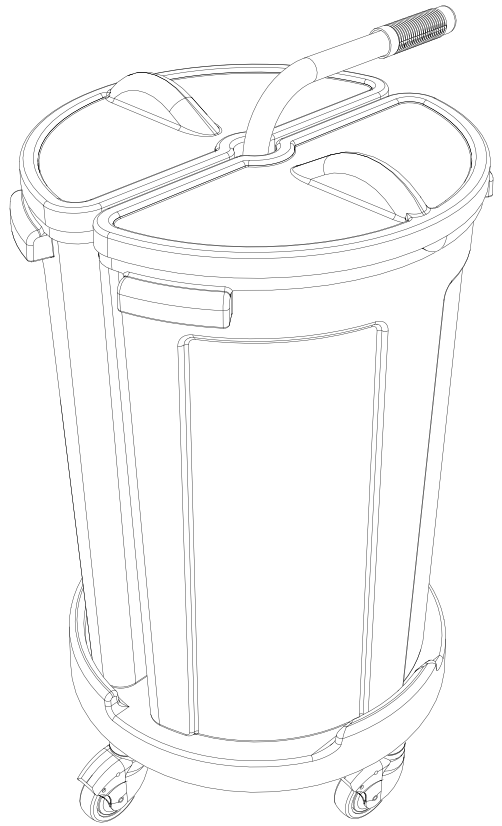
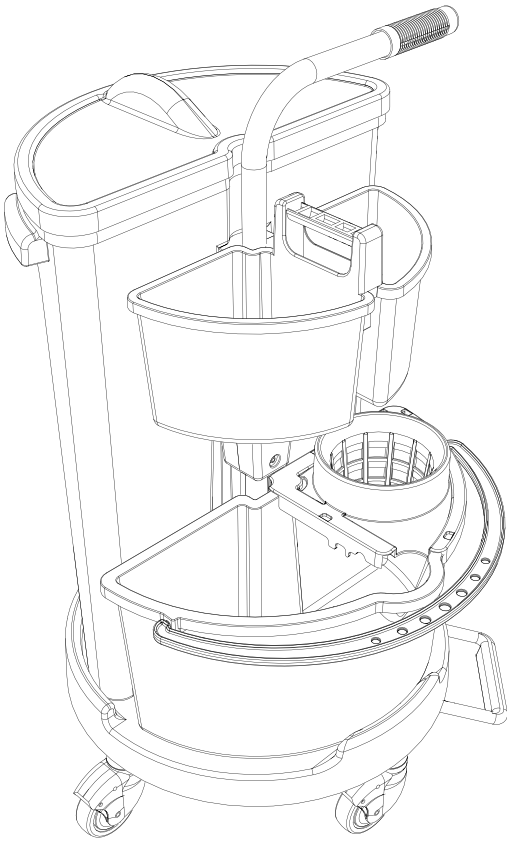
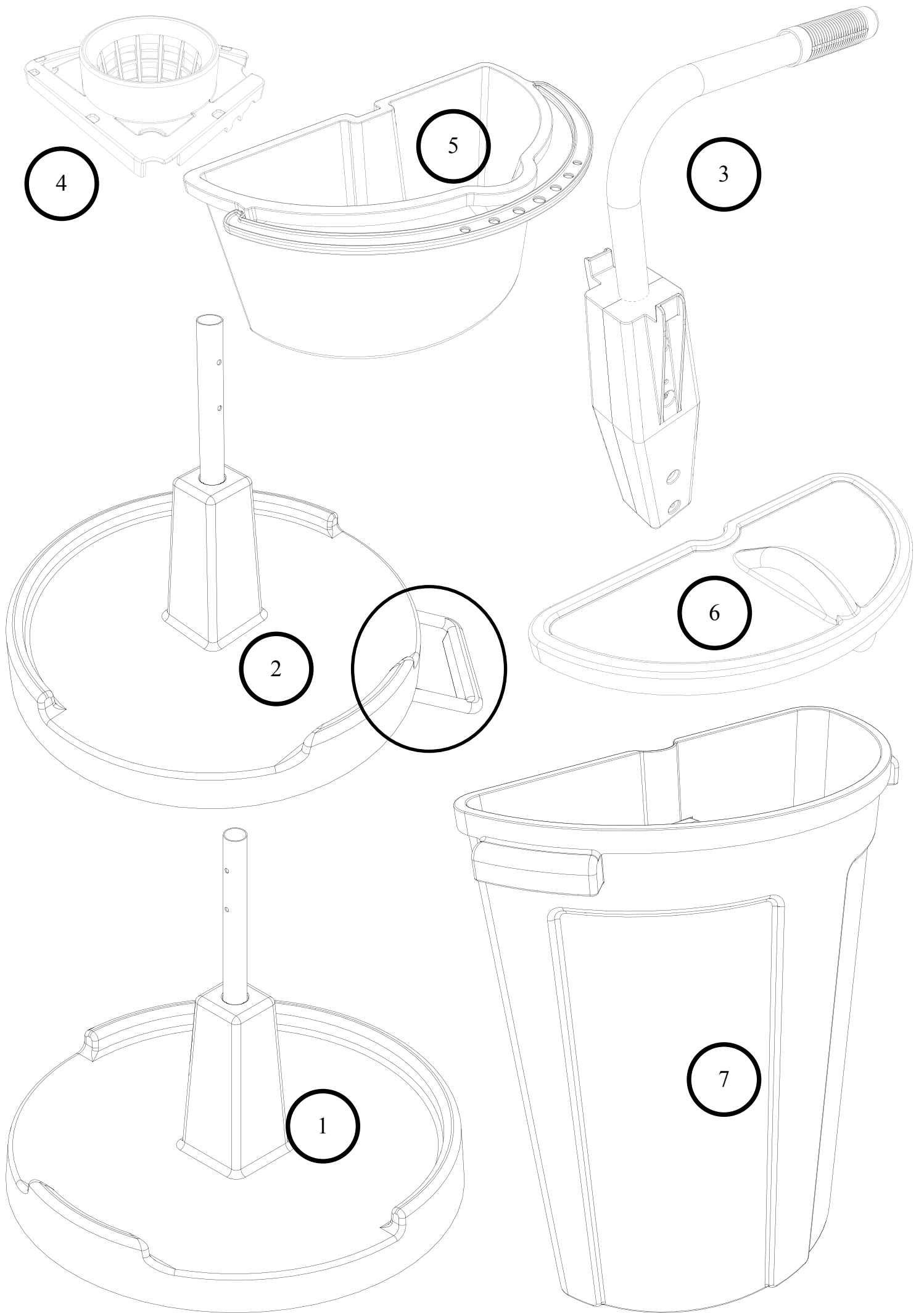
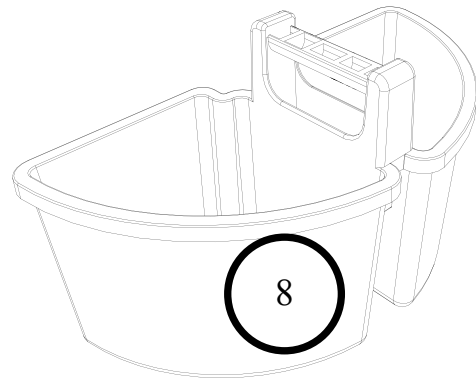
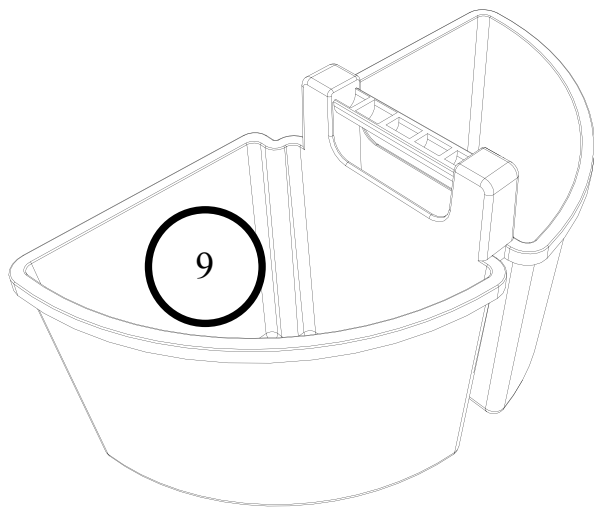


# CAROUSEL

## NC-1 / 2 / 3 / 4



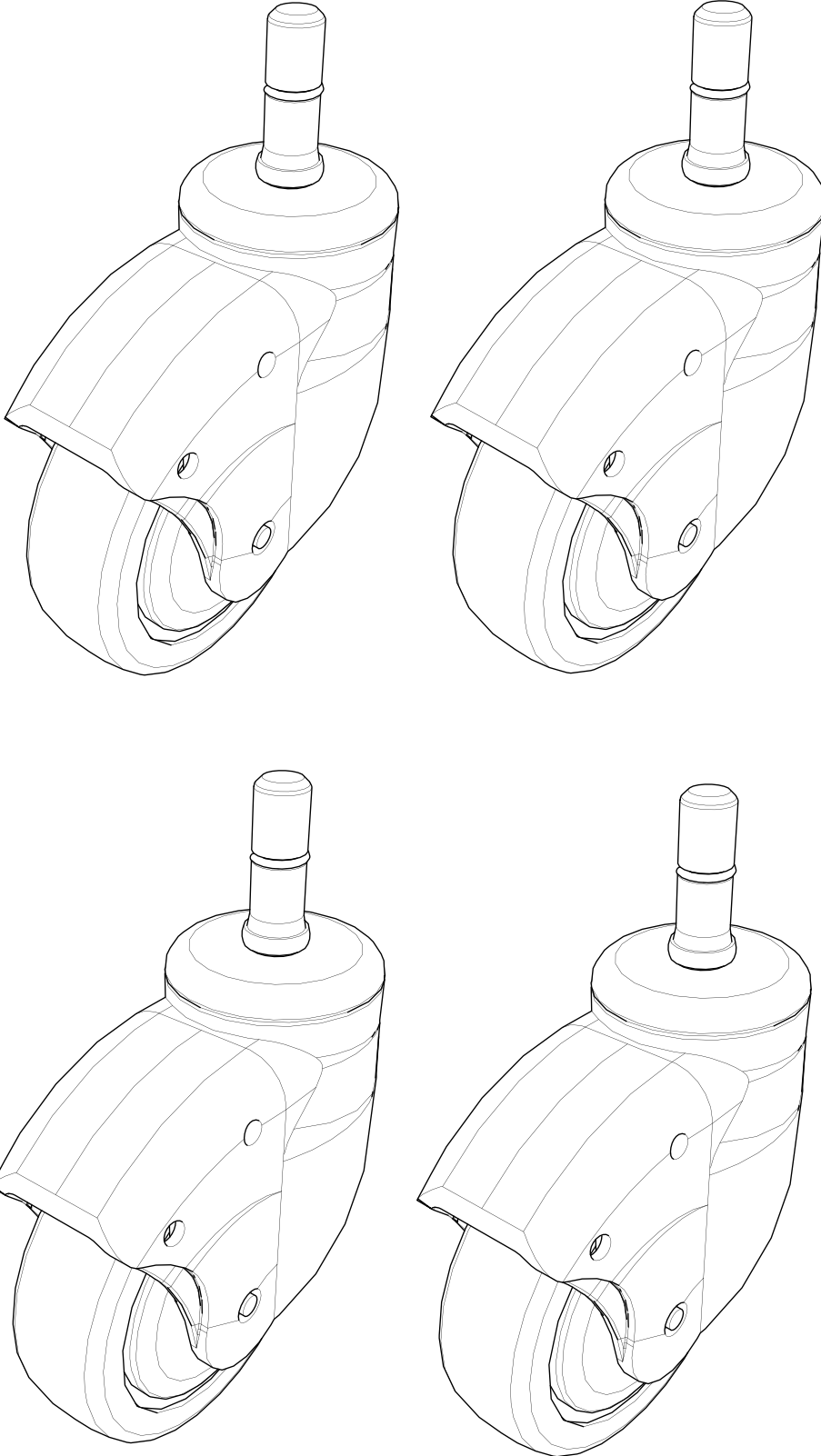




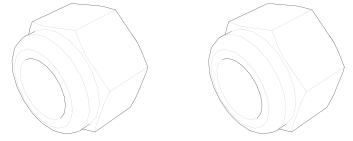
ITEM	PART	DESCRIPTION
1	338243	BLUE BASE
2	227471	PEDAL MOULDING ( NC1 ONLY)
2	219679	PEDAL SPRING (NOT SHOWN) NC1 ONLY
3	338244	HANDLE
4	227551	MOP WRINGER (NC1 ONLY)
5	628040	14 LITRE PAIL BLUE (NC1 ONLY)
6	227464	LID GREEN
6	227549	LID YELLOW
6	227468	LID RED
6	227469	LID BLUE
7	227463	WASTE BIN GREEN
7	227467	WASTE BIN BLUE
7	227545	WASTE BIN YELLOW
7	227466	WASTE BIN RED
8	227465	SMALL CADDY RED
8	227537	SMALL CADDY BLUE
8	227358	SMALL CADDY GREEN
8	227359	SMALL CADDY YELLOW
9	227356	LARGE CADDY RED
9	227357	LARGE CADDY BLUE
—	629444	REPLACEMENT 70L POLBAGS X 10

# NC-1/2/3/4

204108



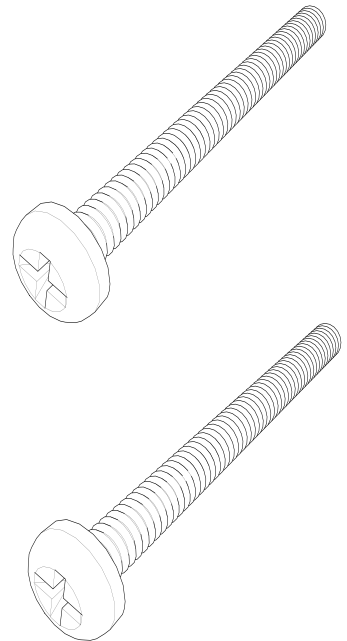
219076



219005

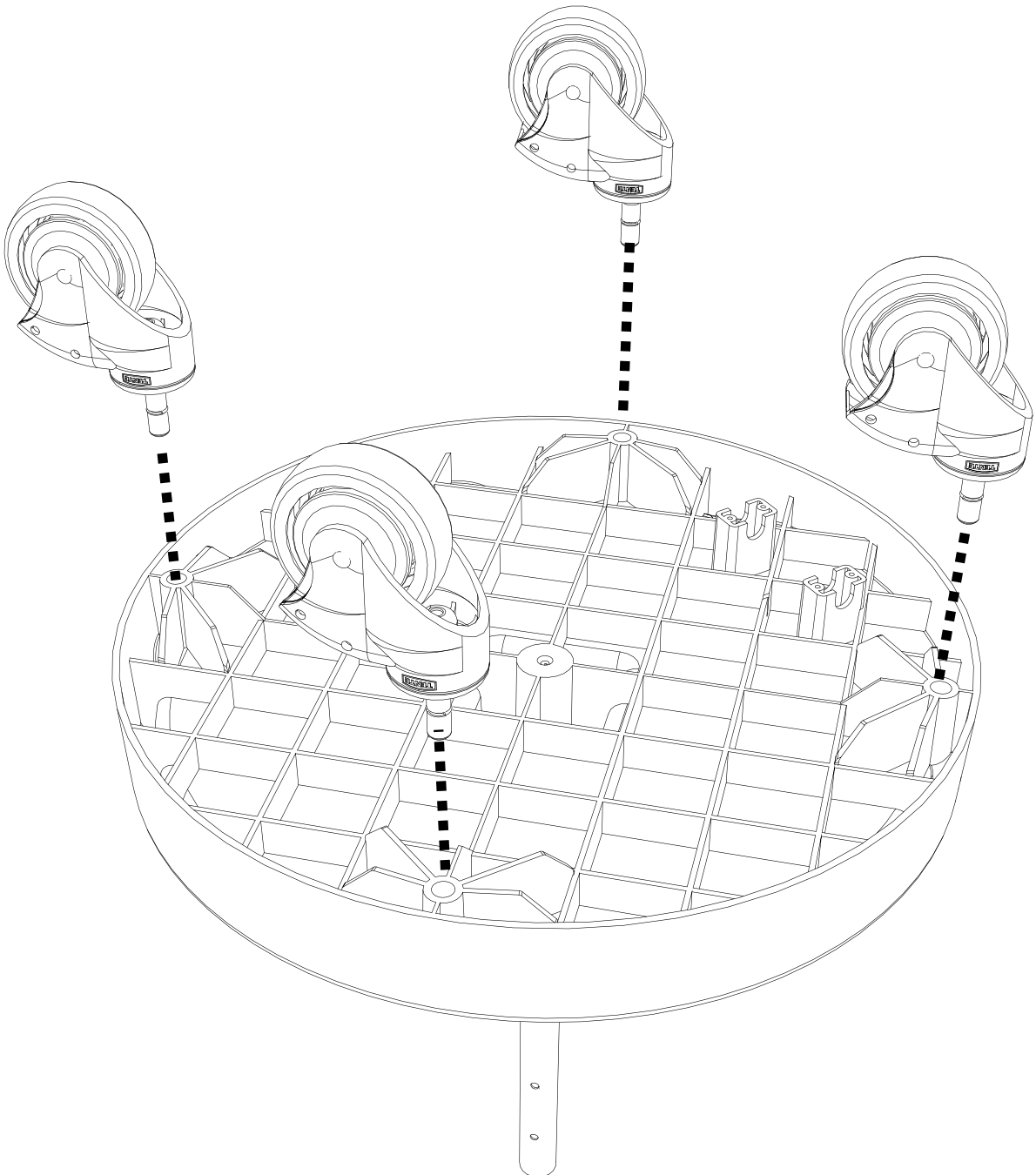
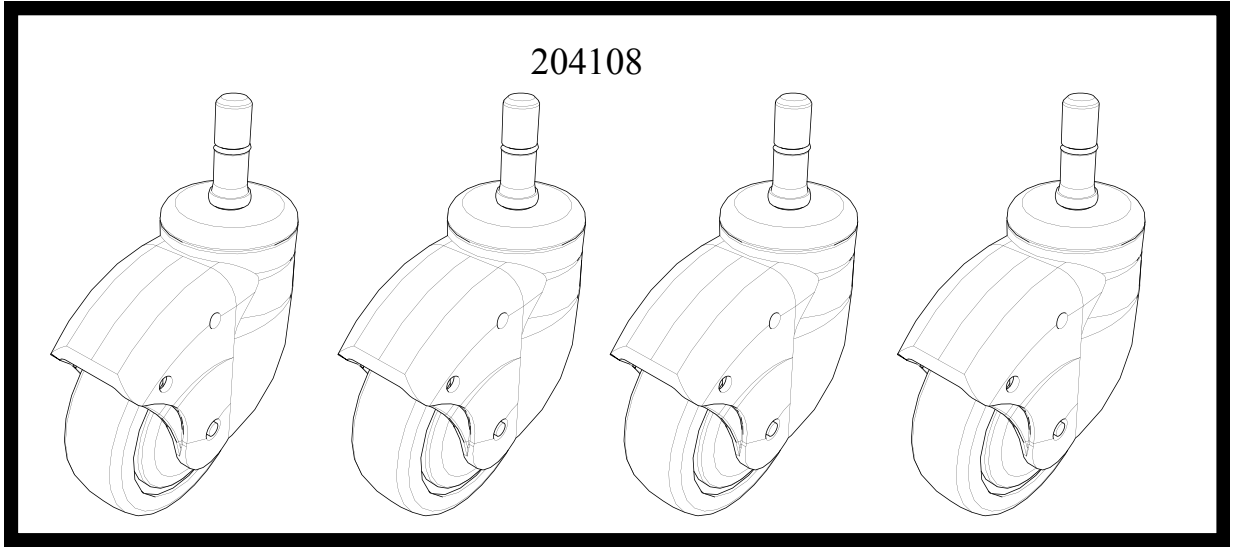


219777

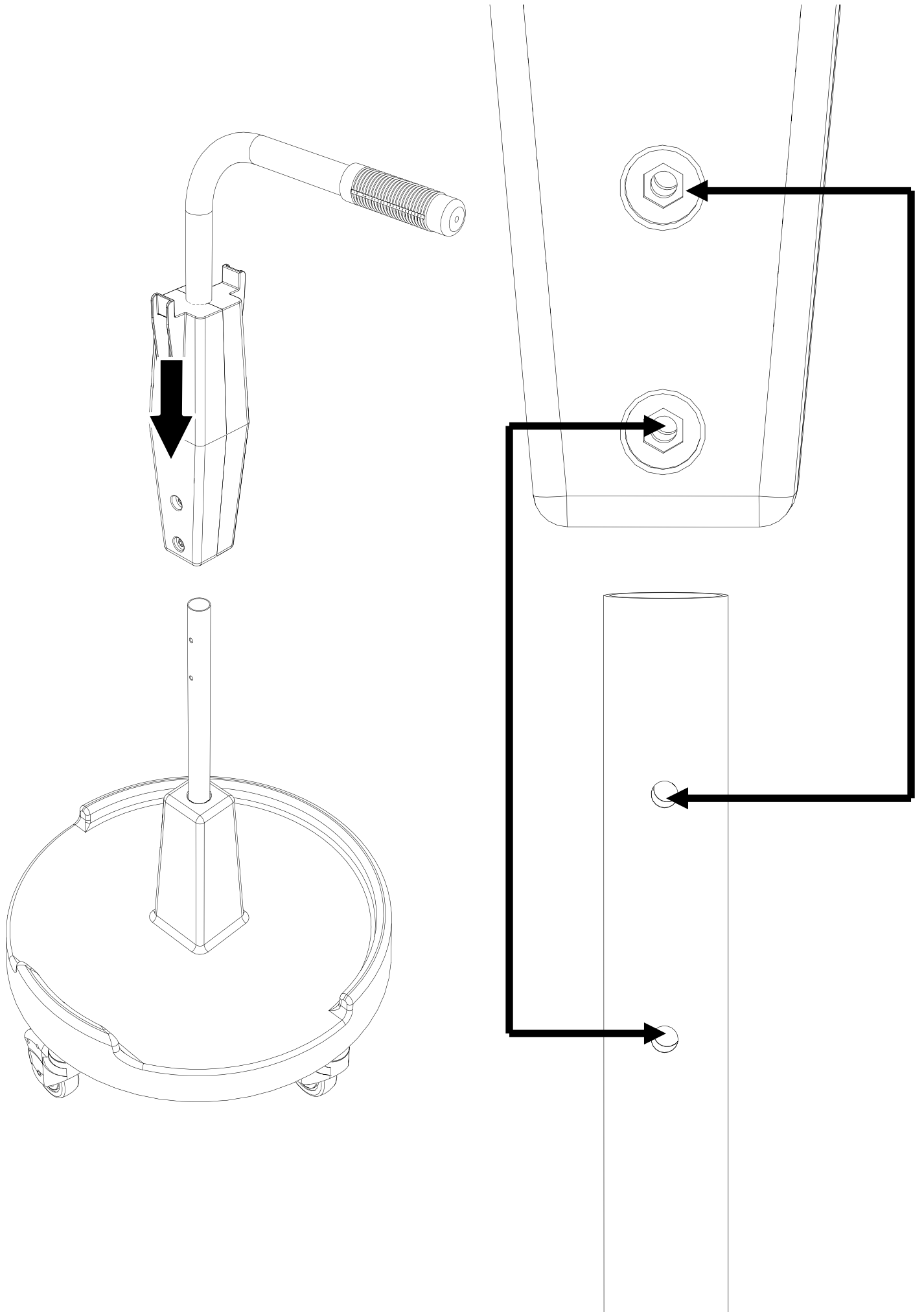


# NC-1/2/3/4

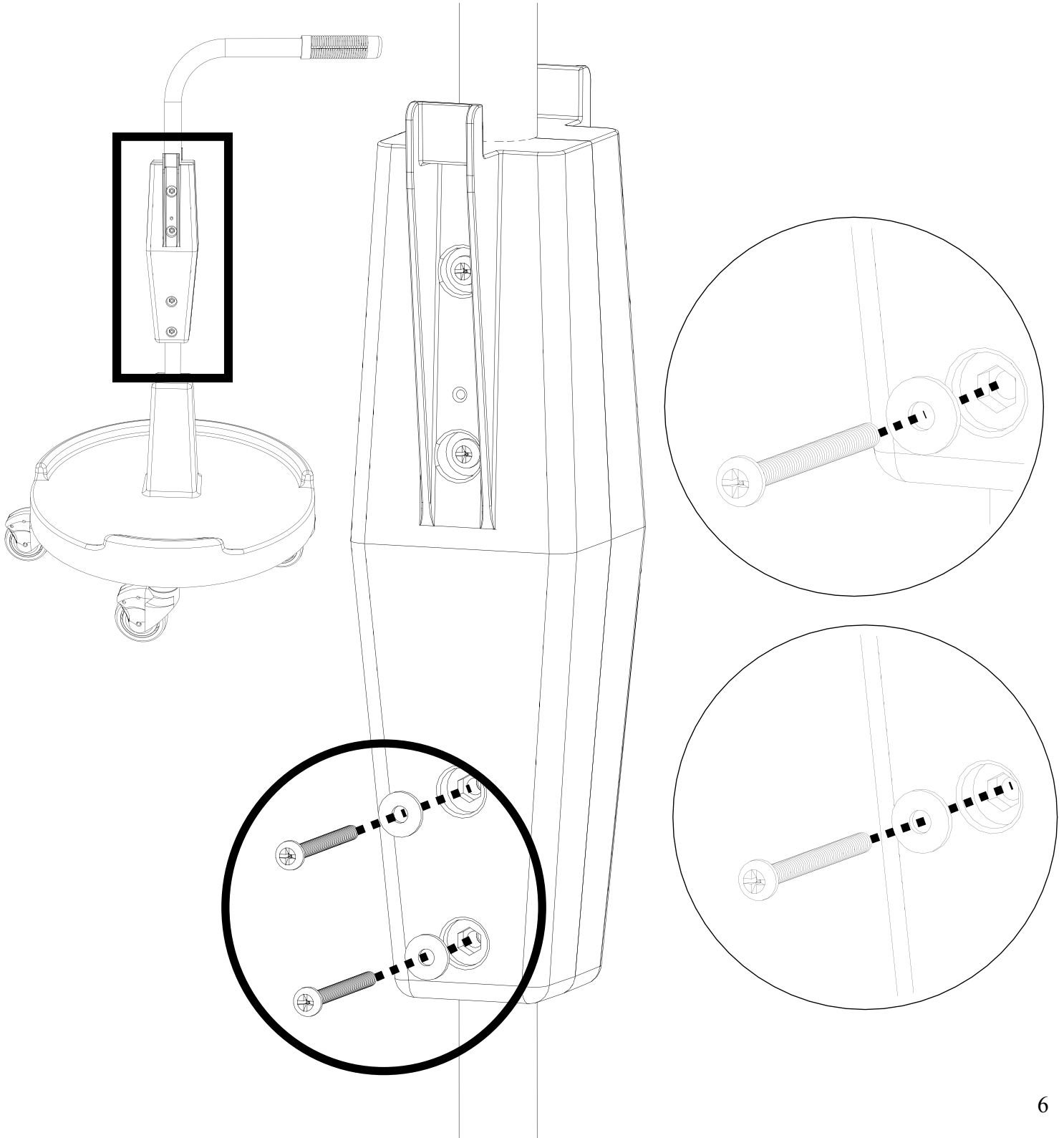
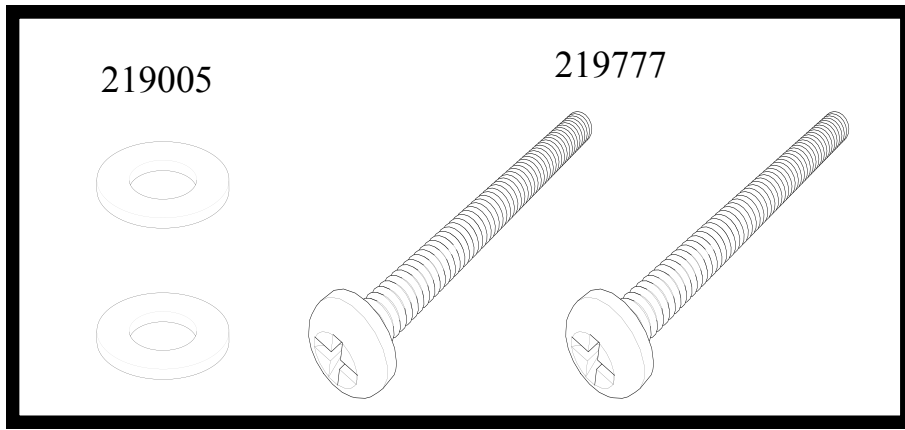
204108



# NC-1/2/3/4

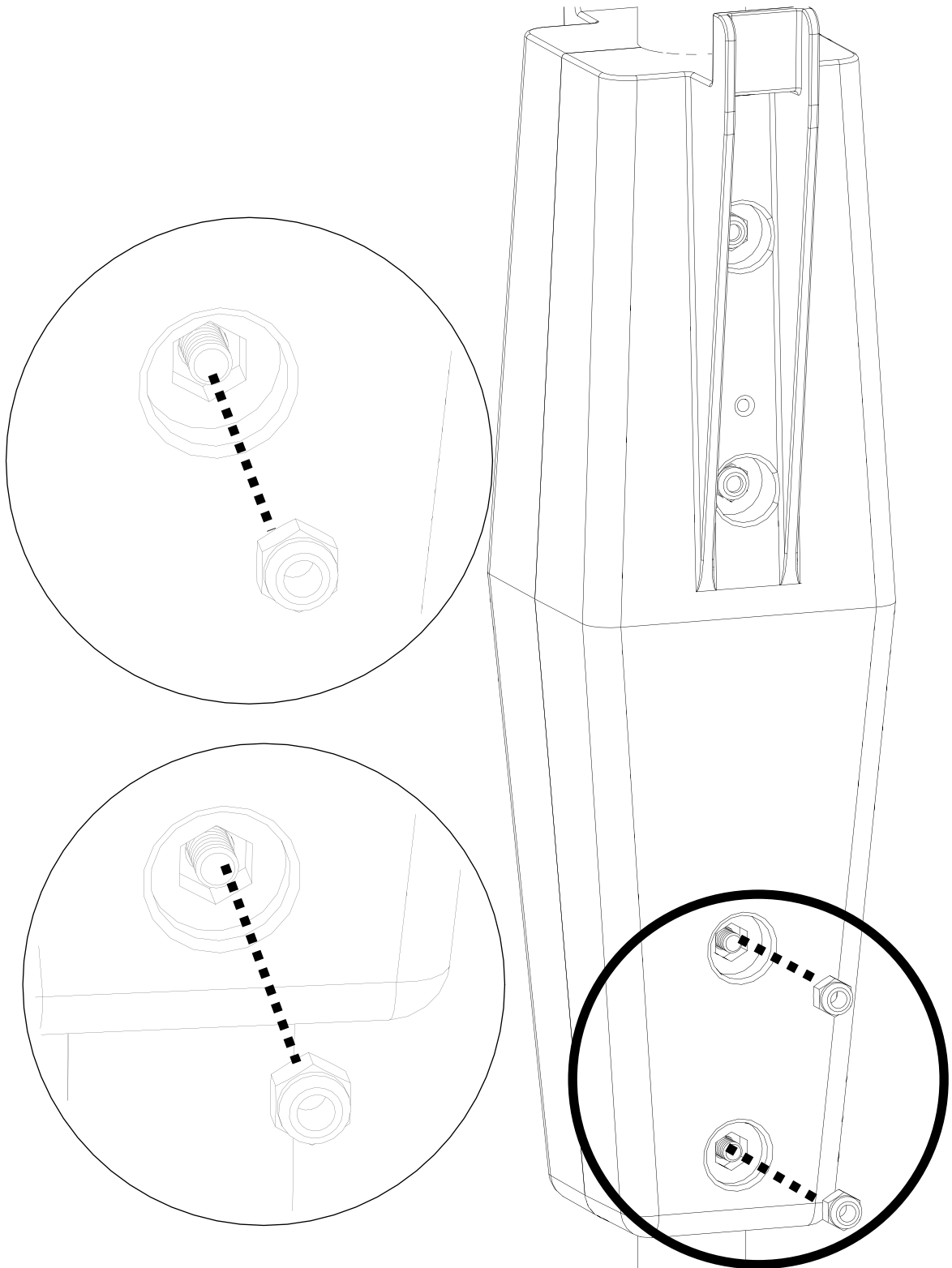
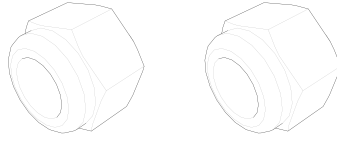


# NC-1/2/3/4

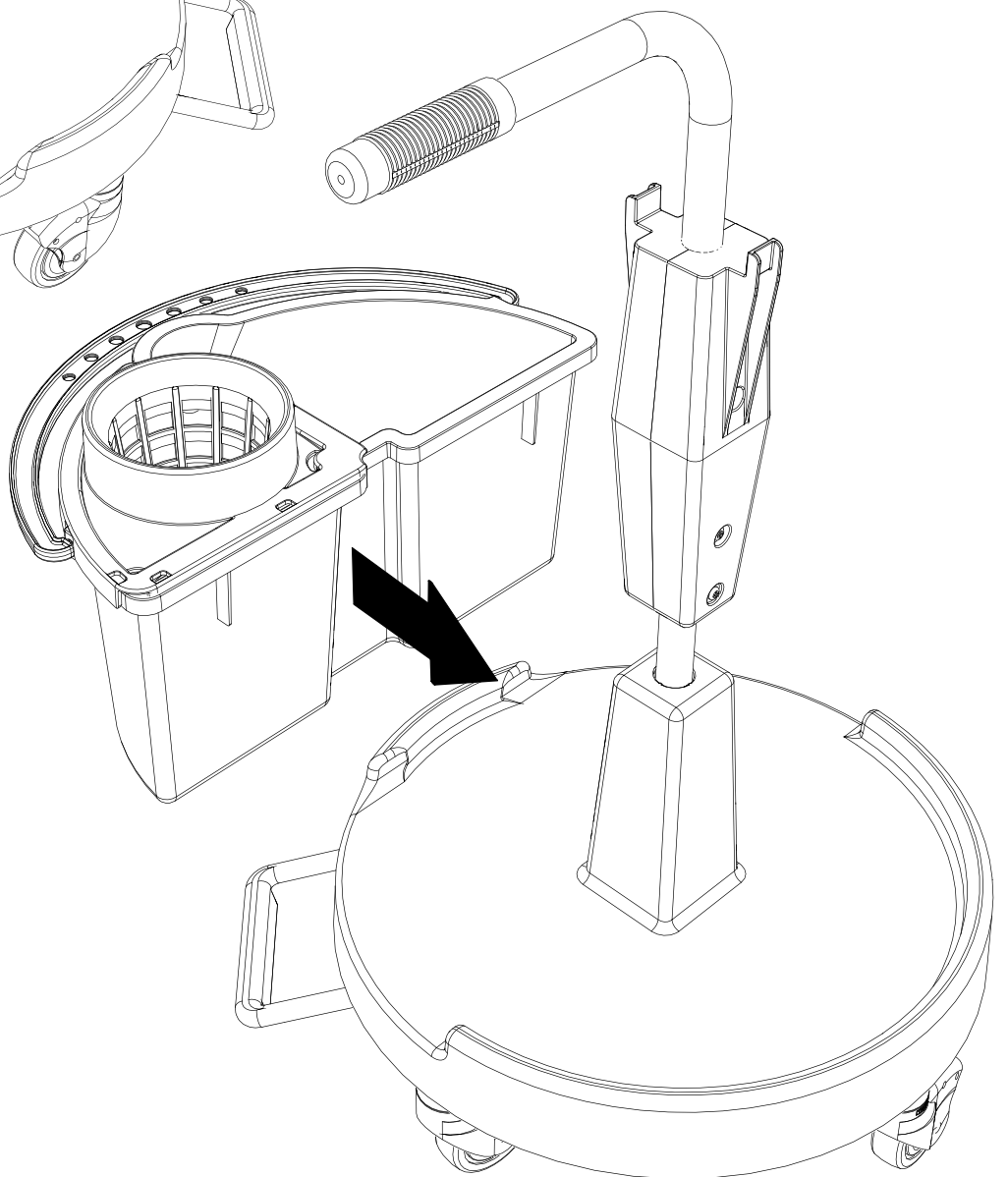
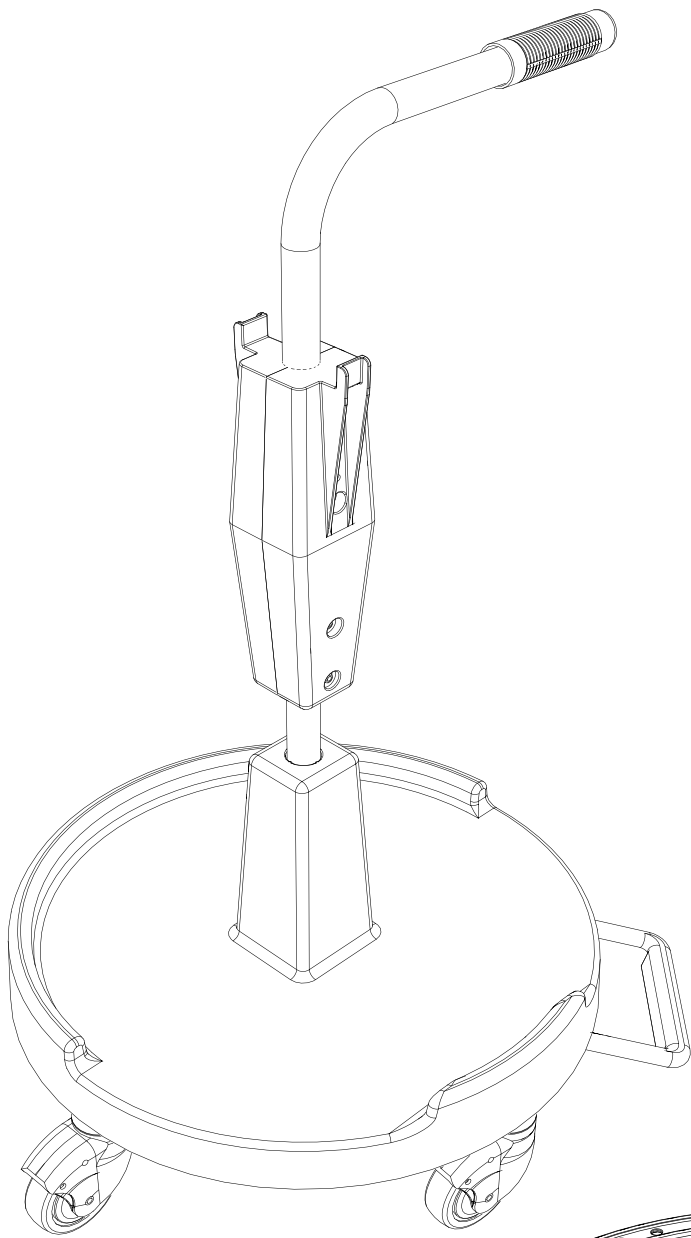


# NC-1/2/3/4

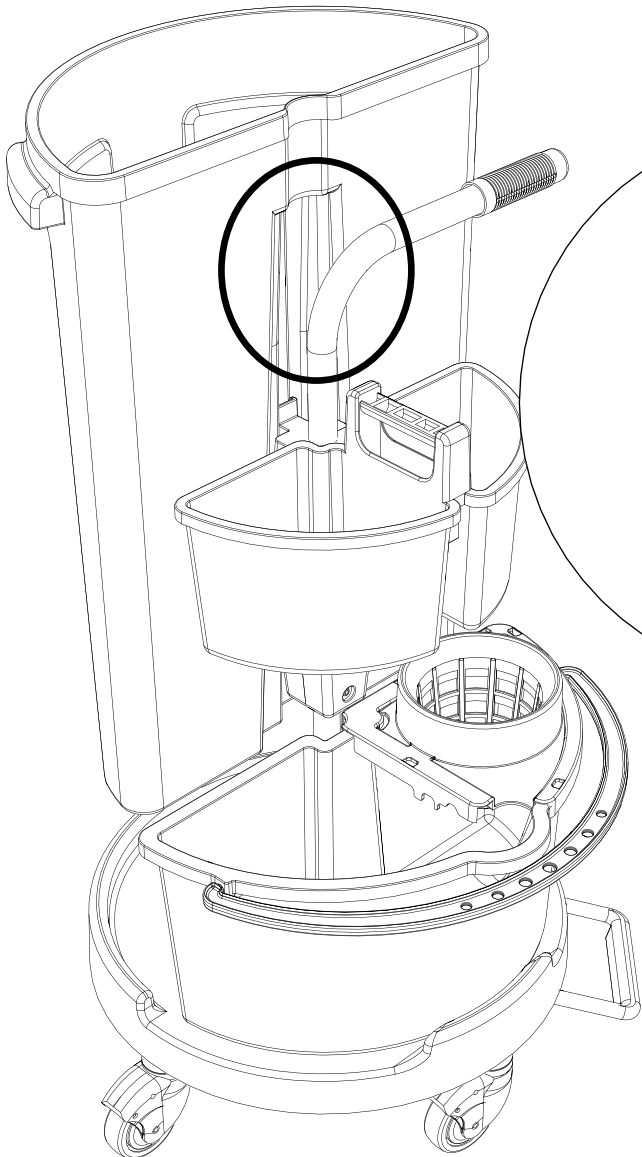
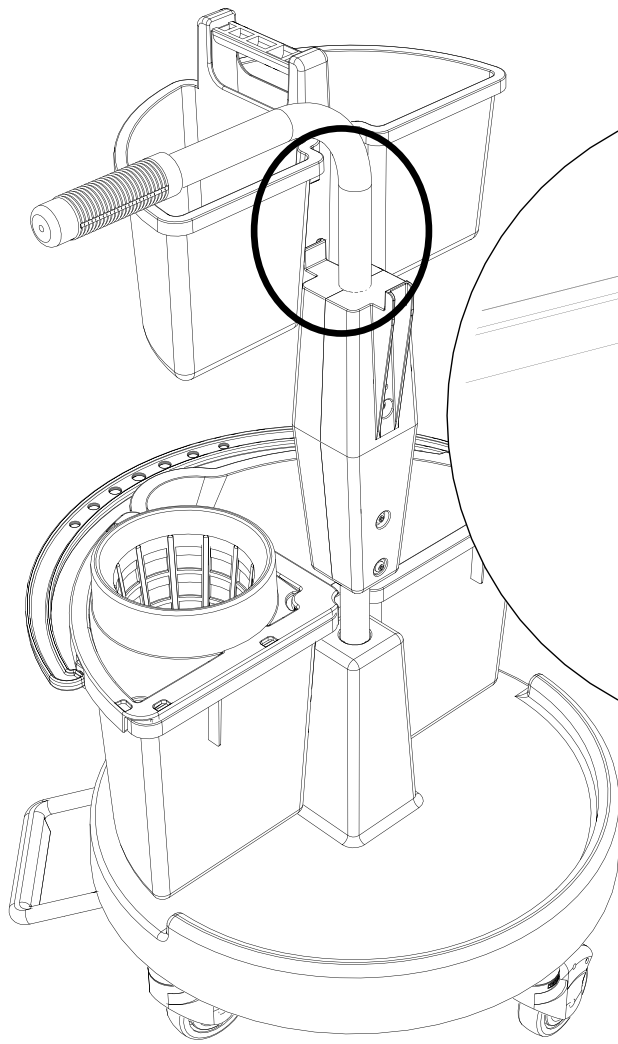
219076

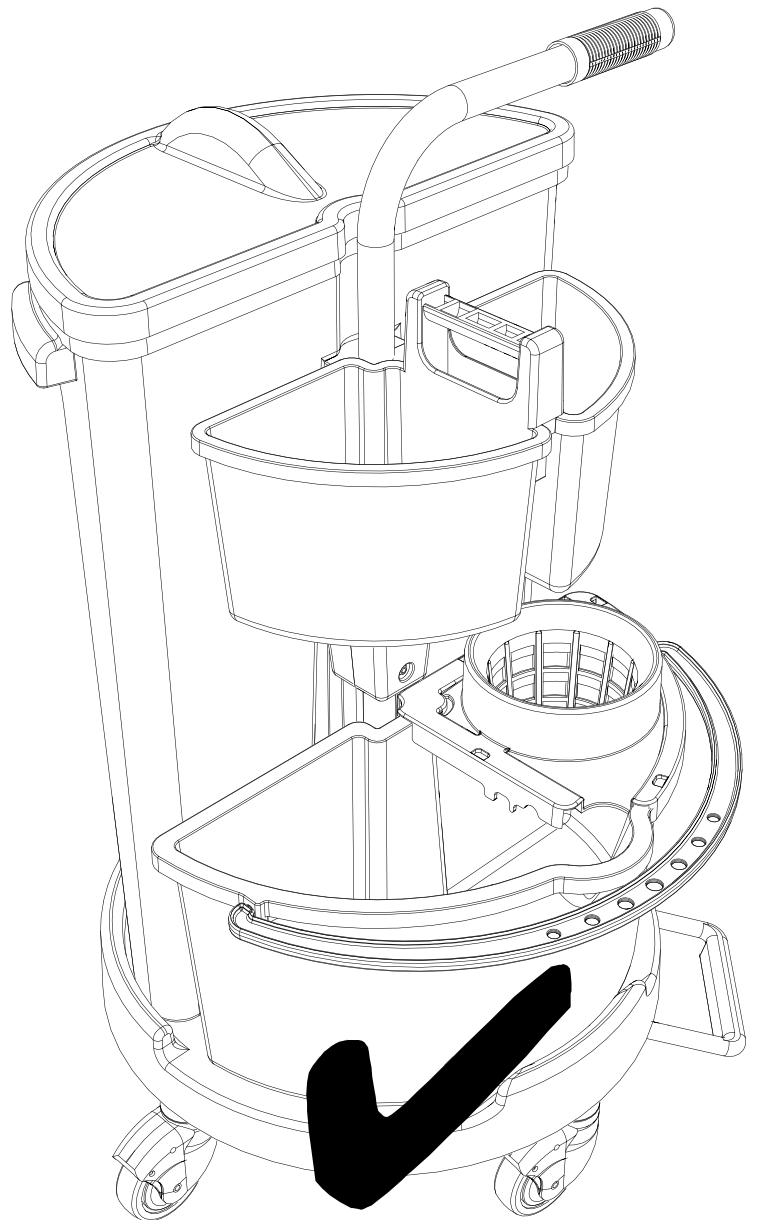
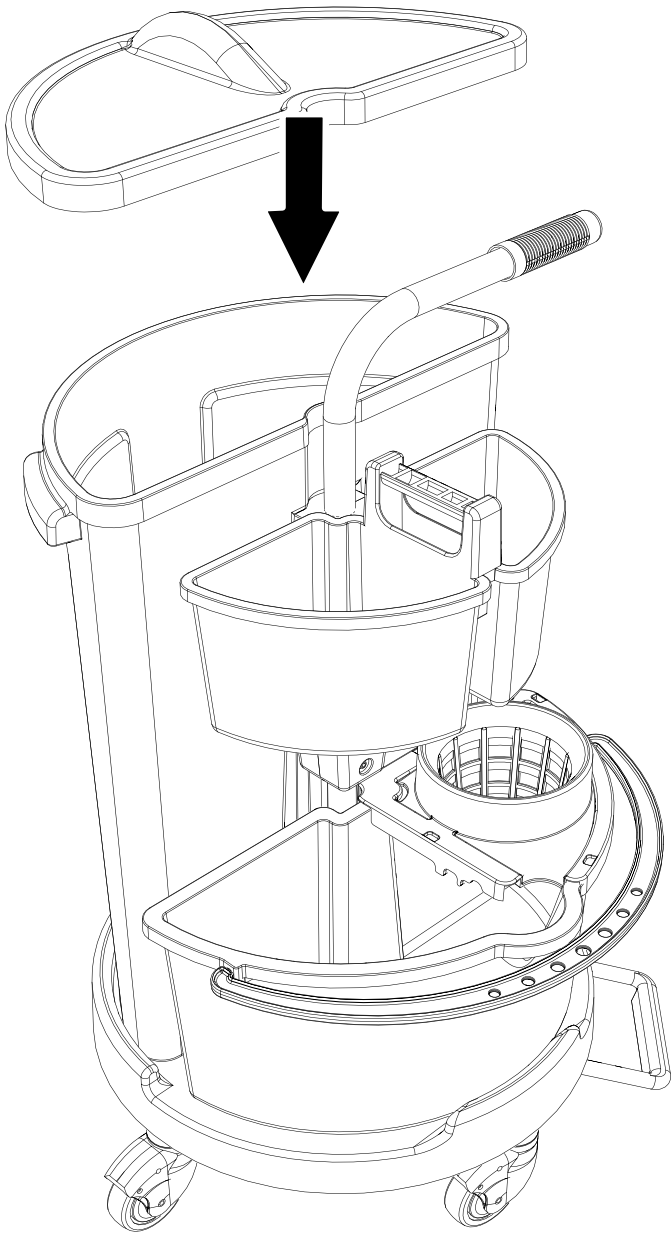




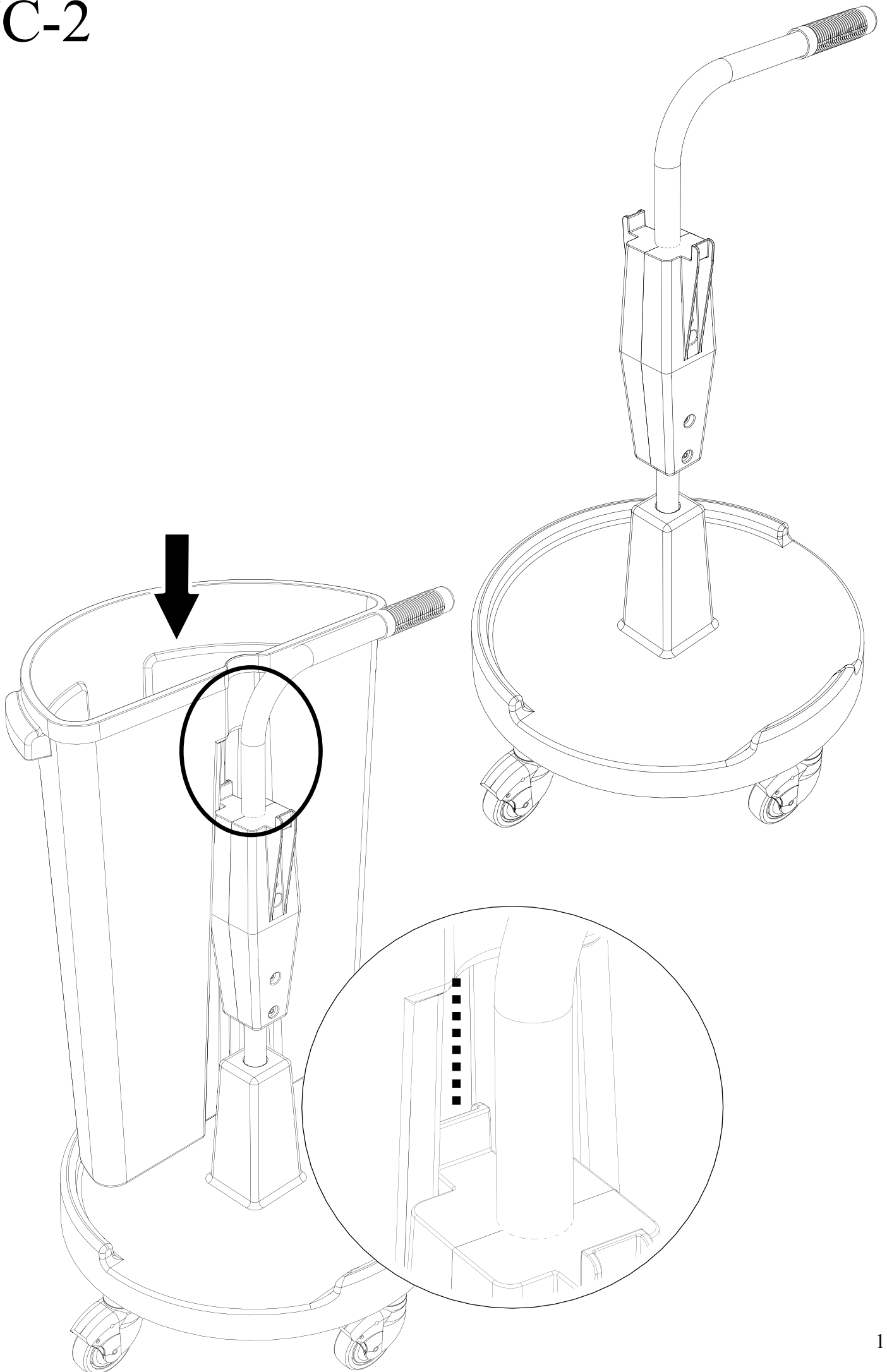


NC-1

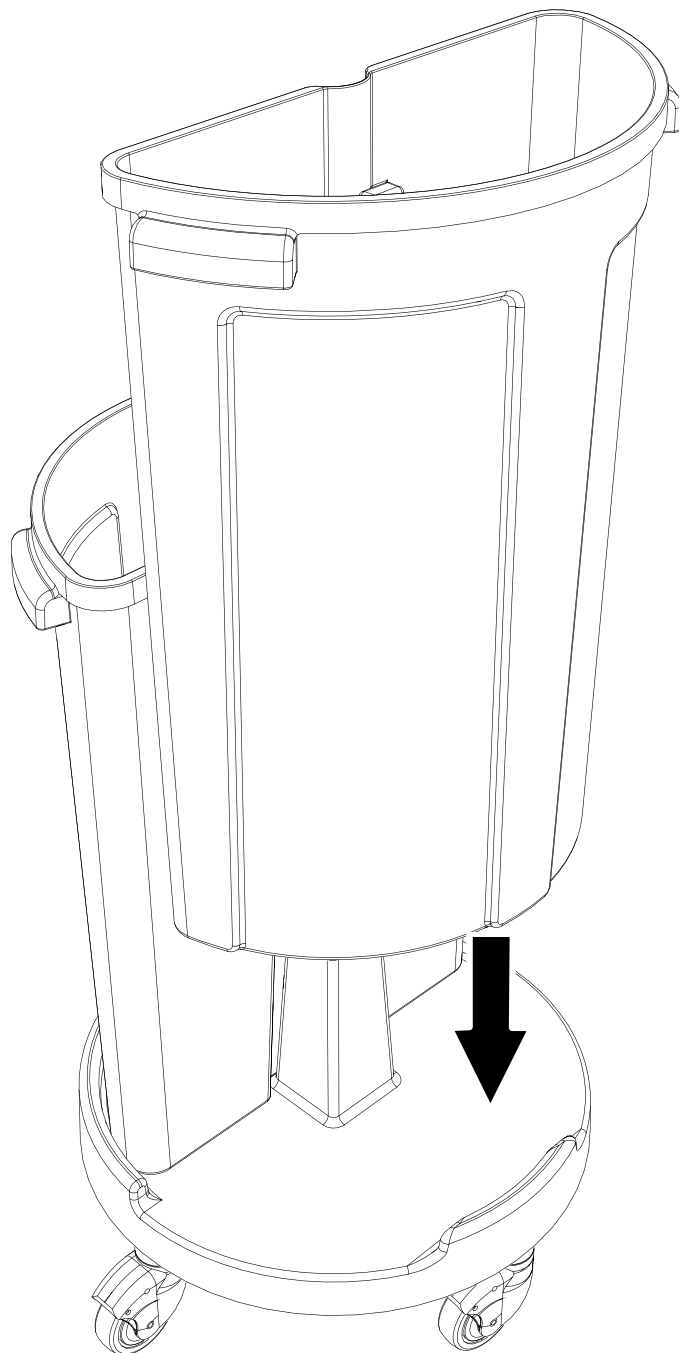
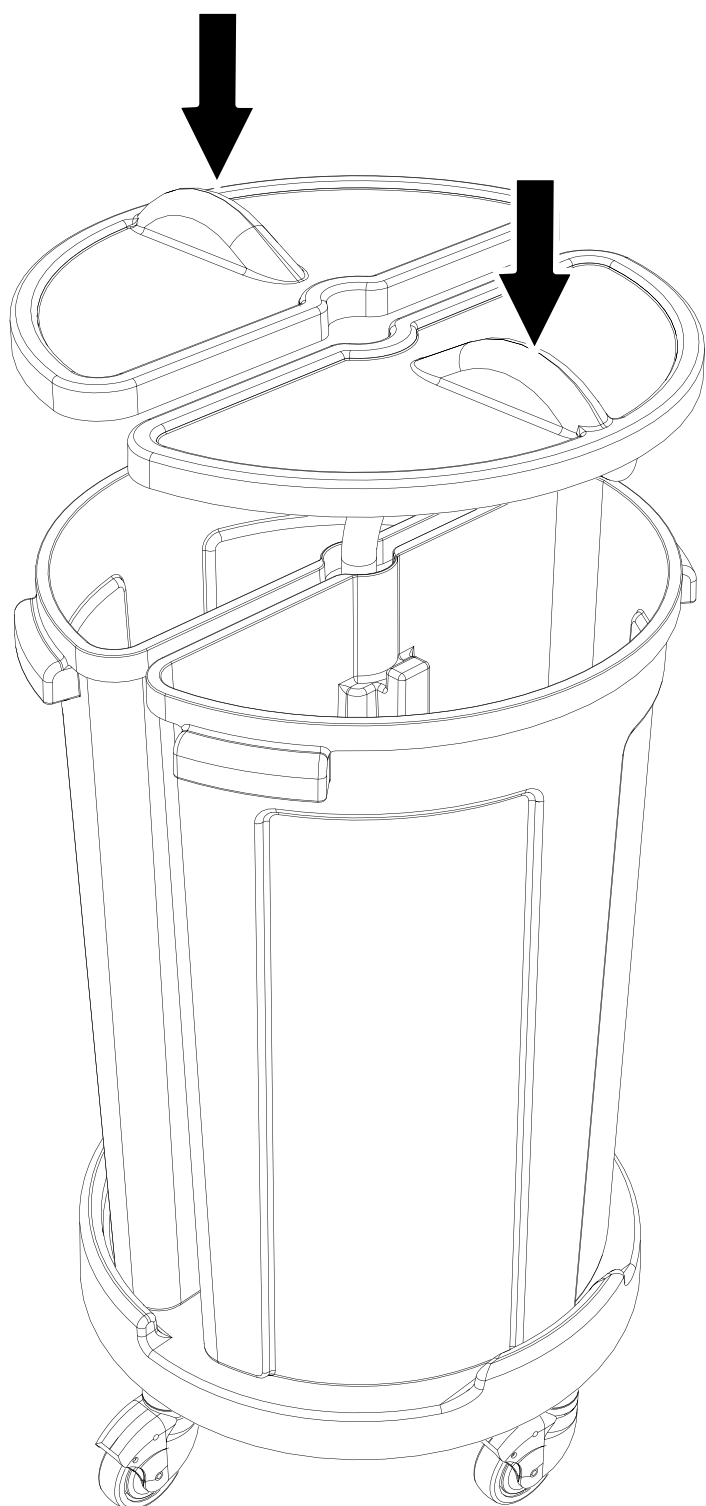




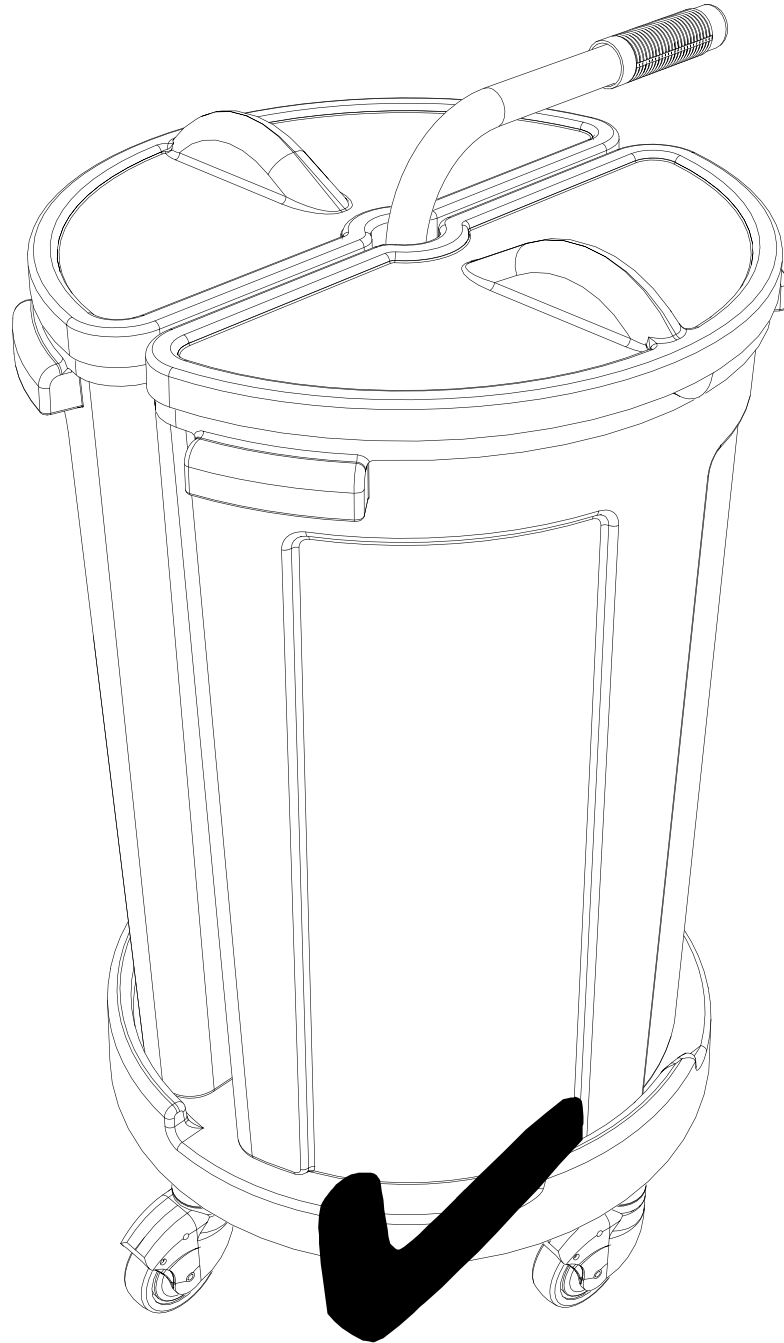
# NC-2



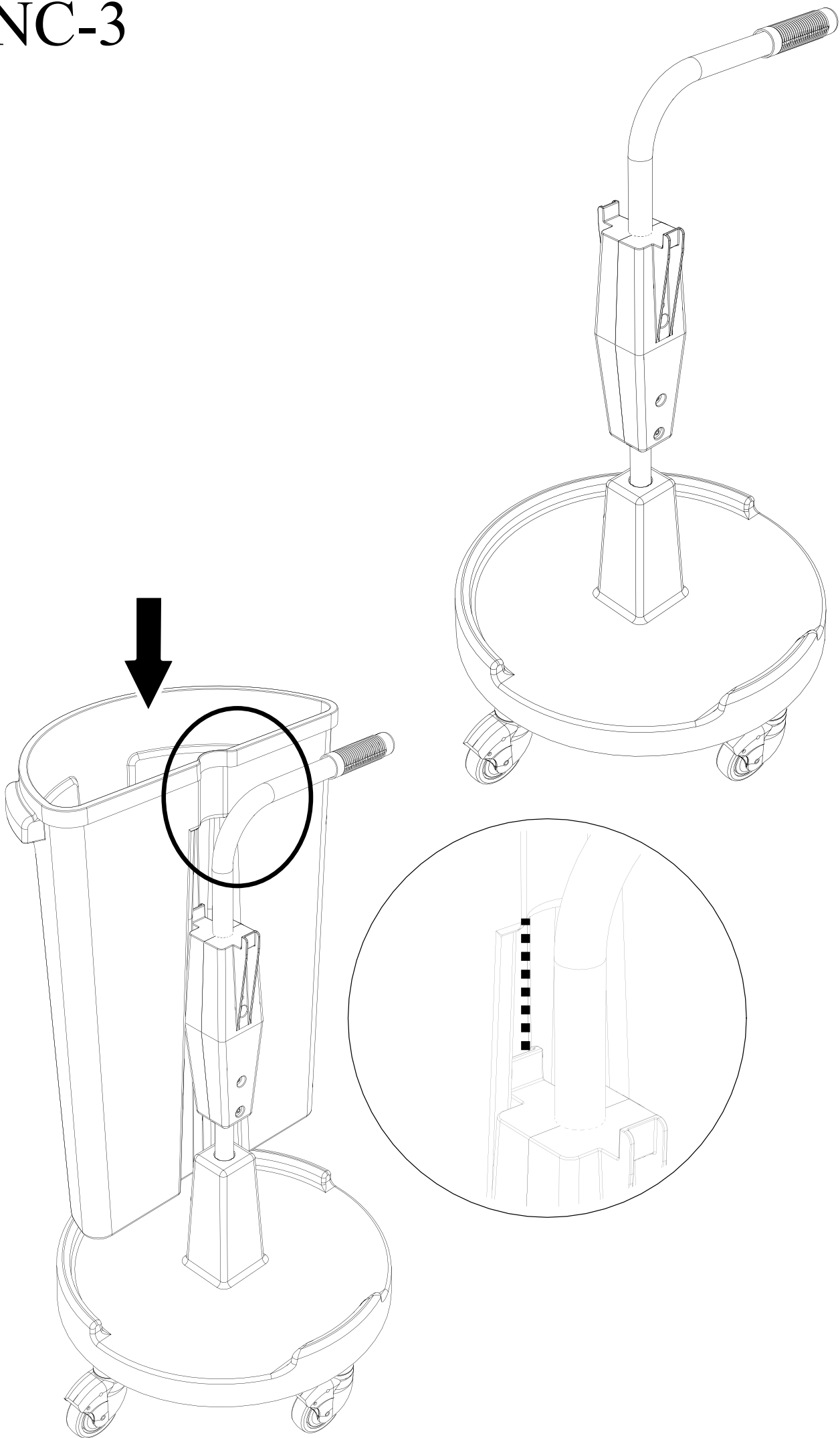
# NC-2



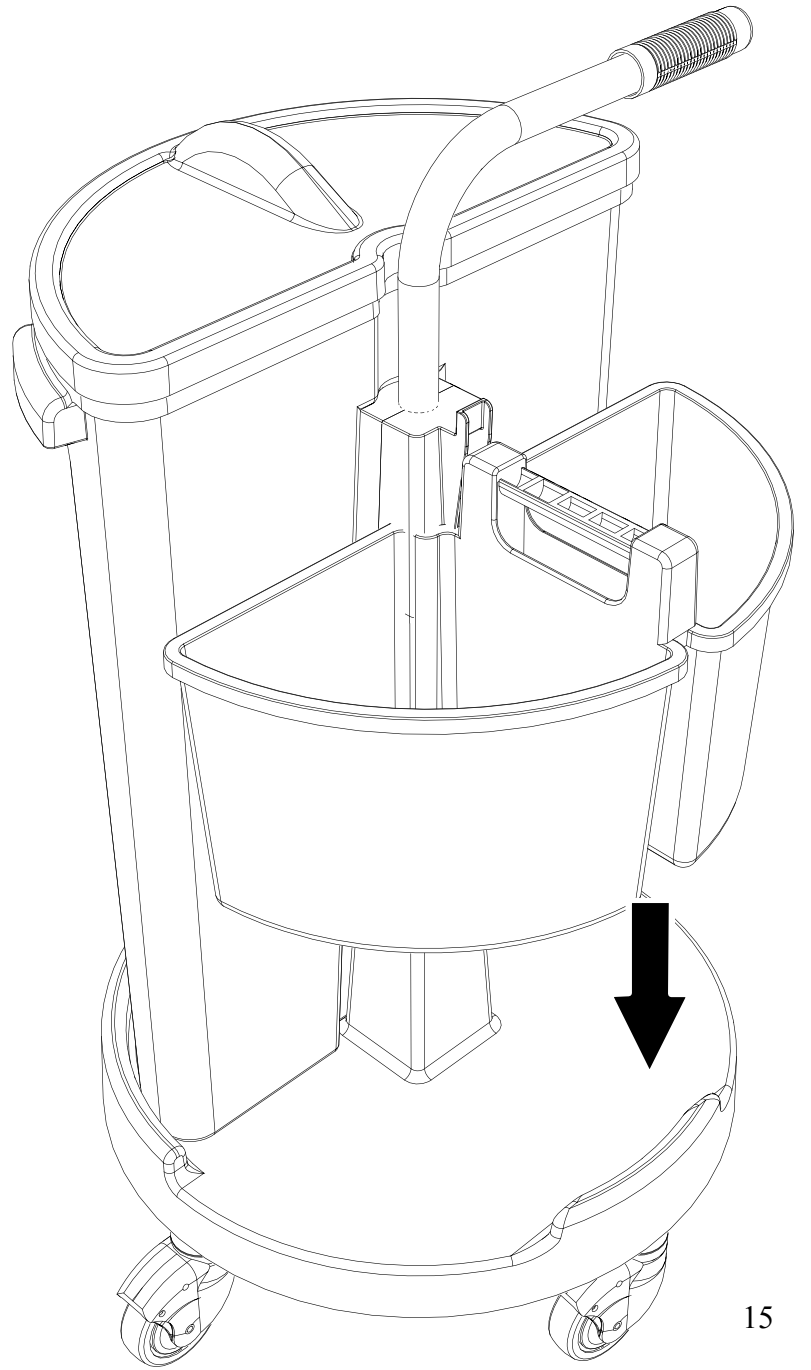
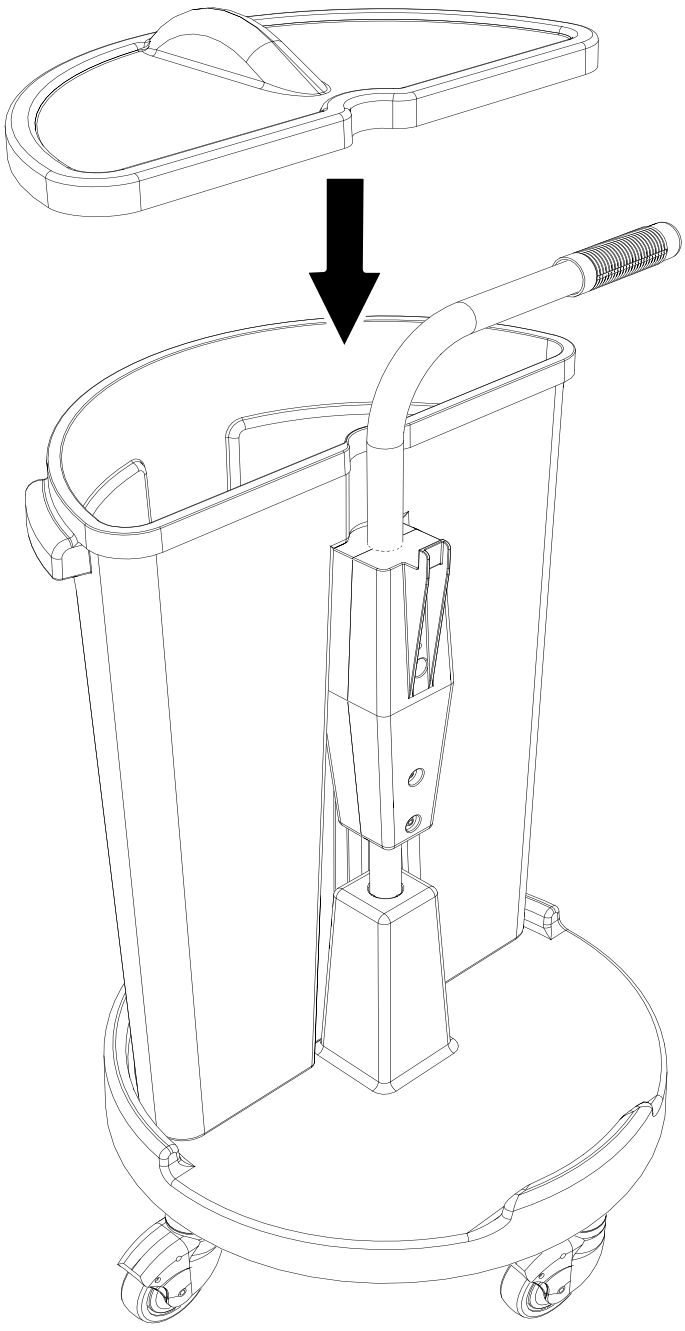
NC-2



# NC-3

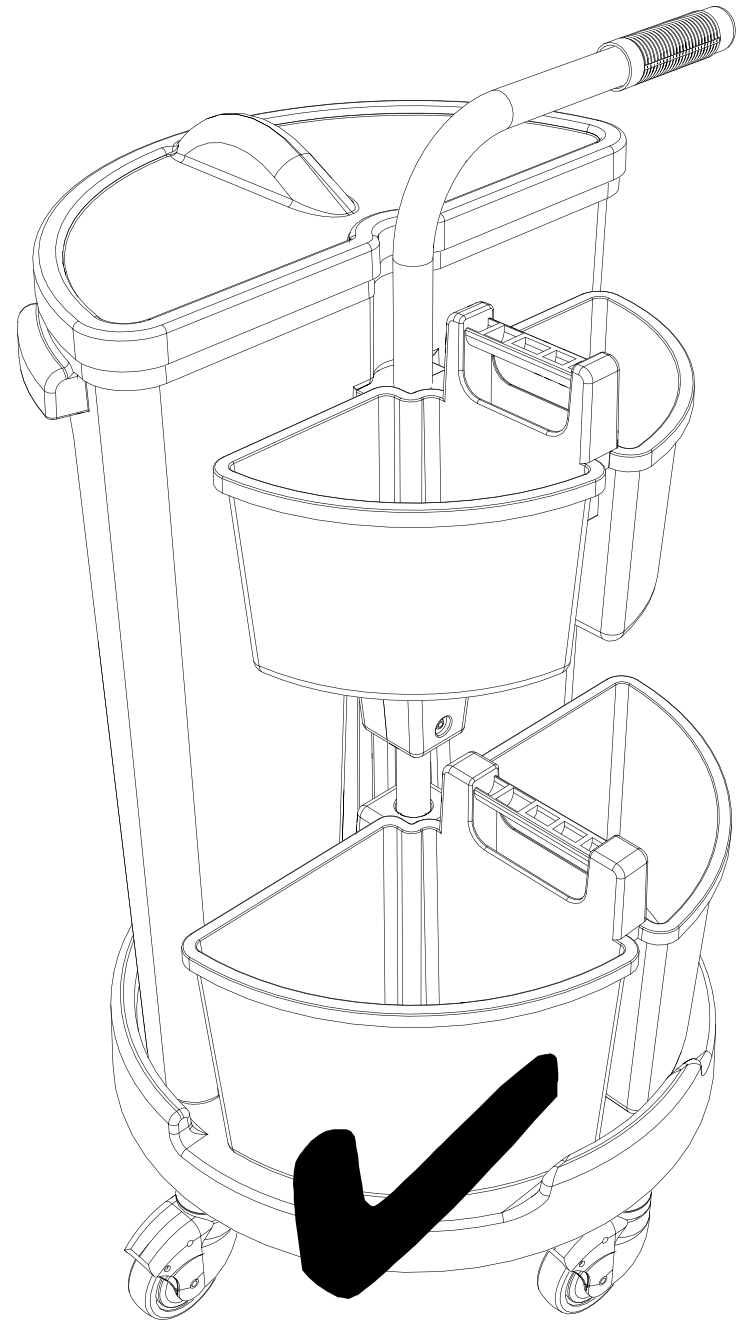
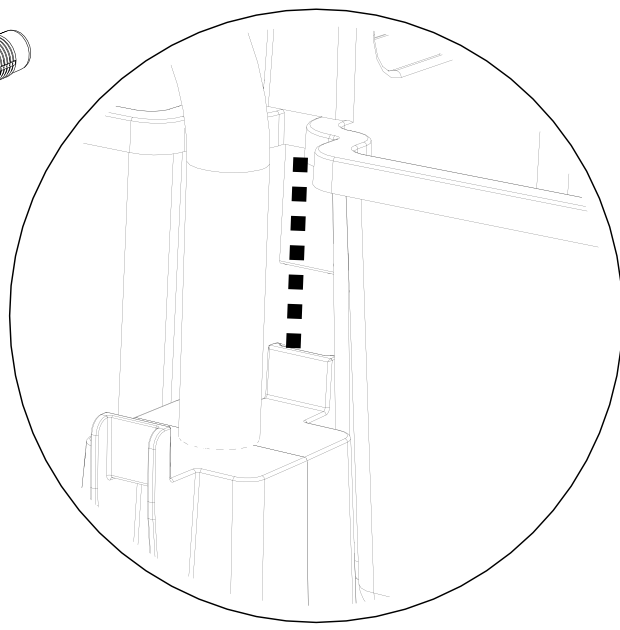
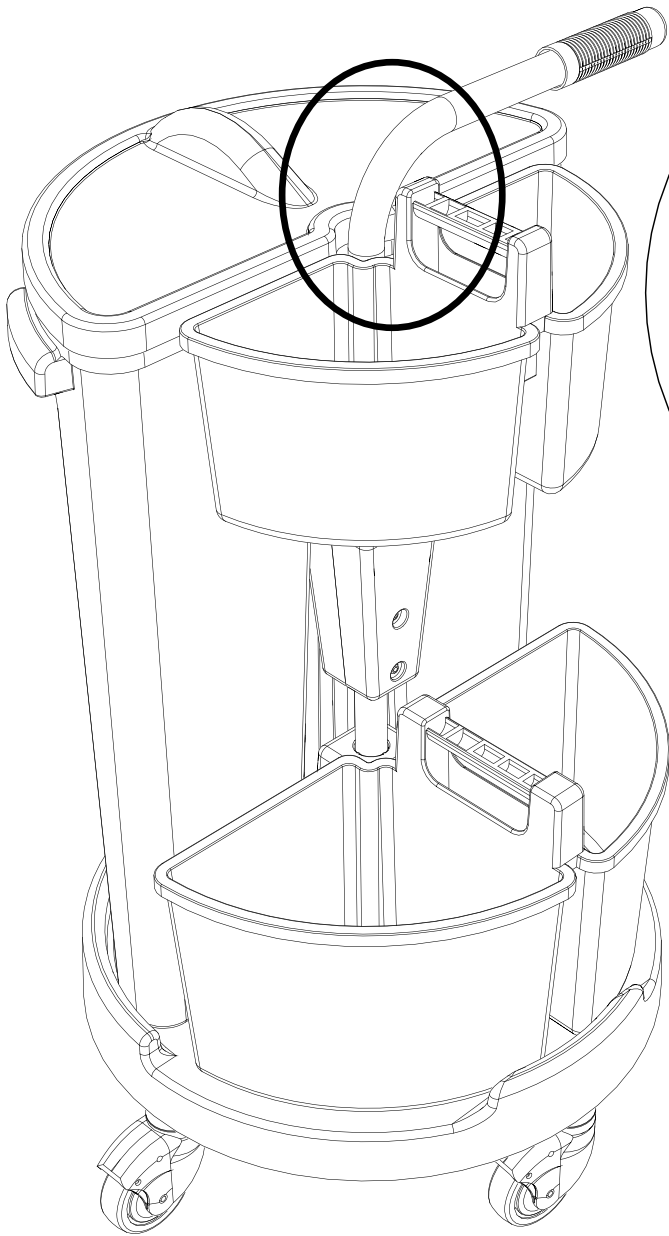


# NC-3

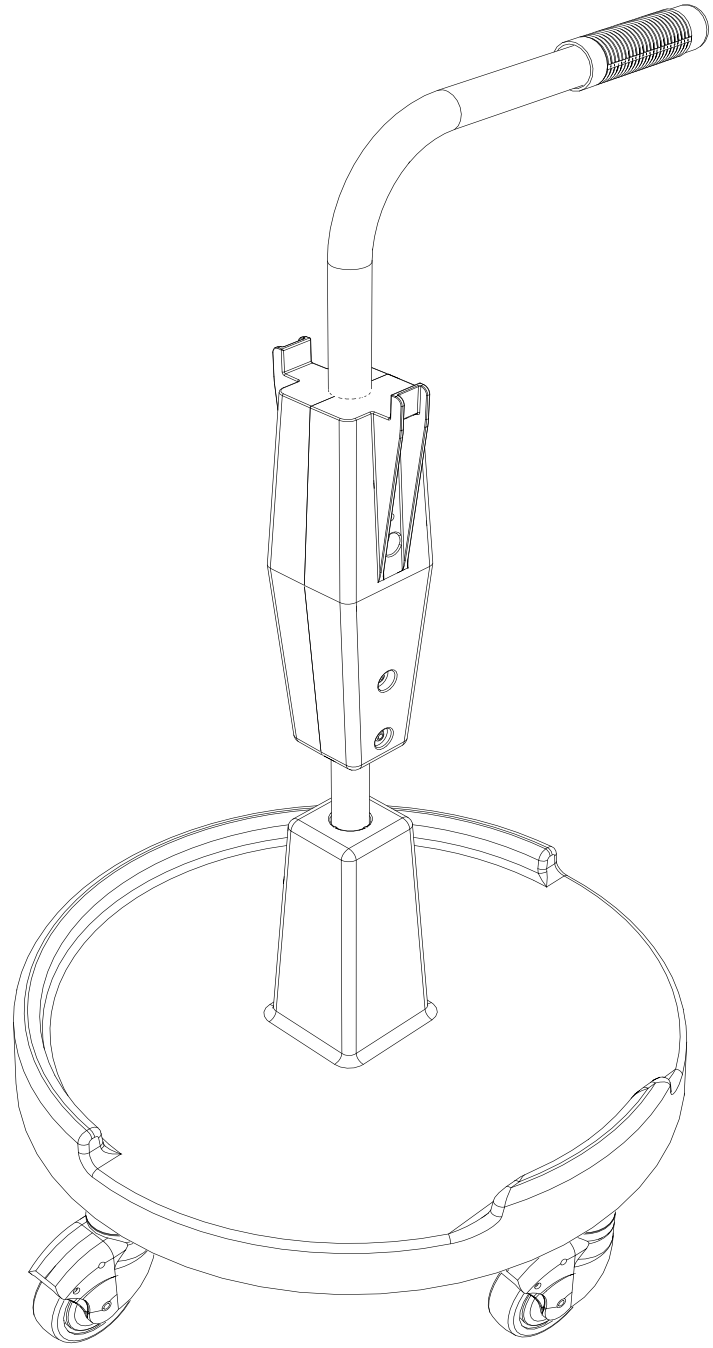
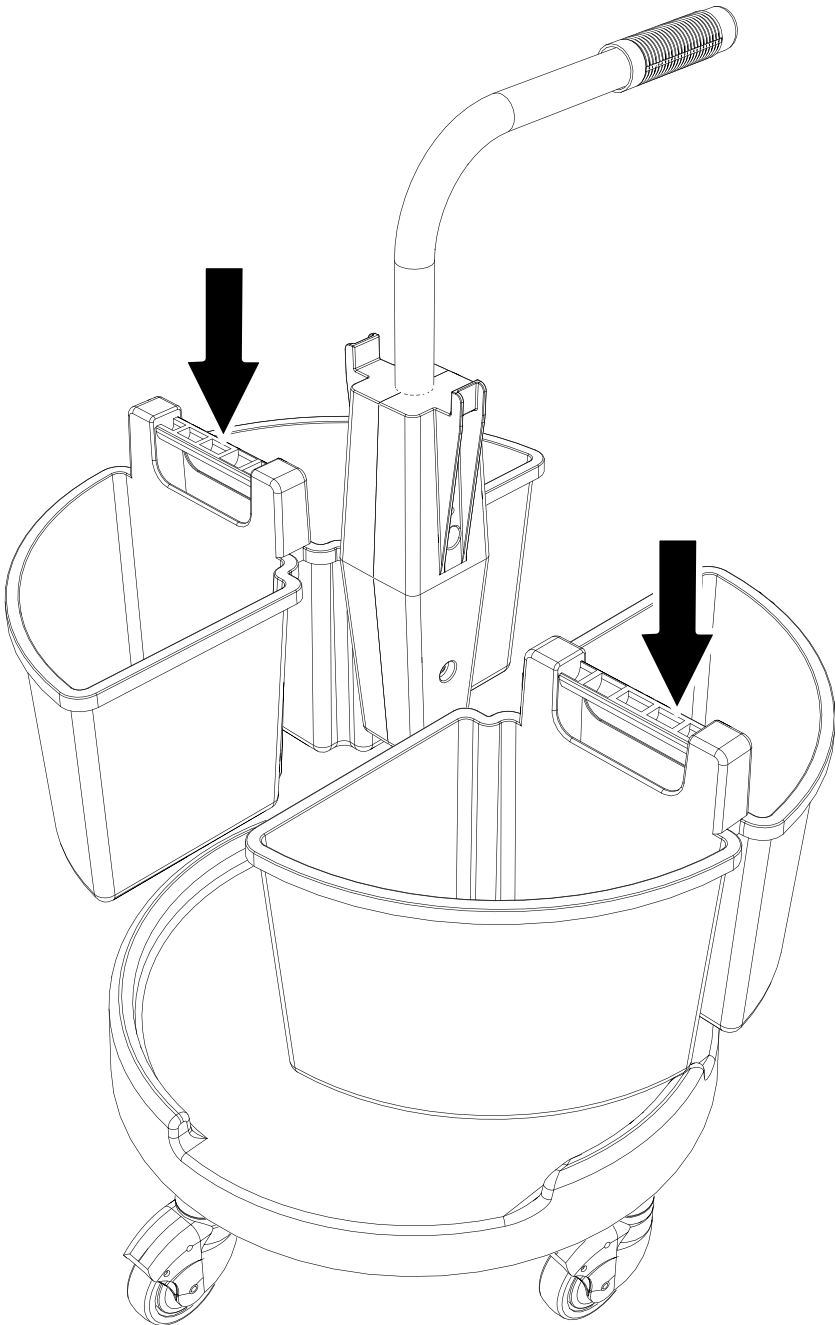




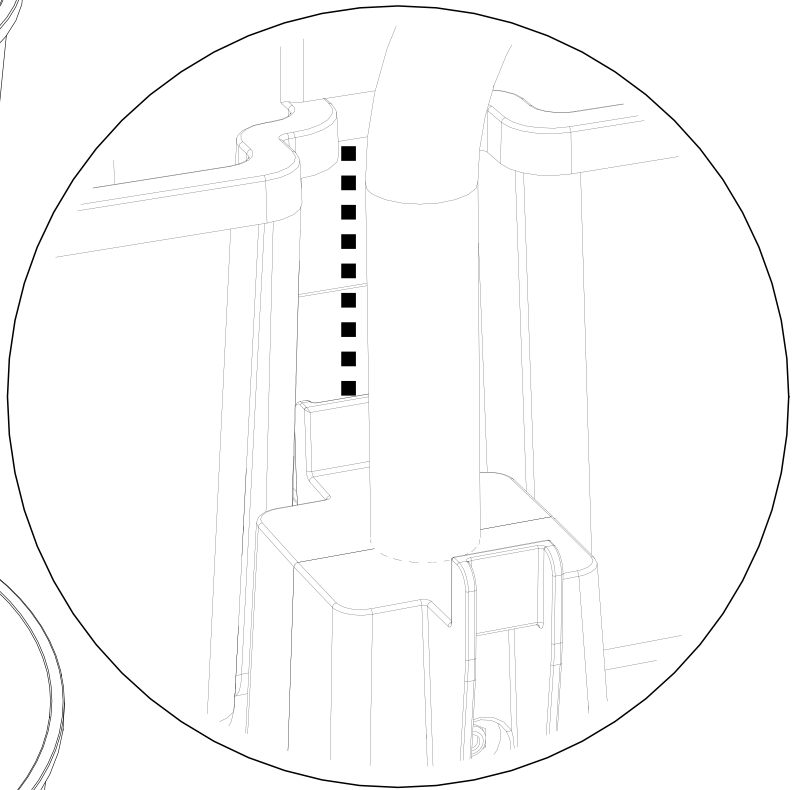
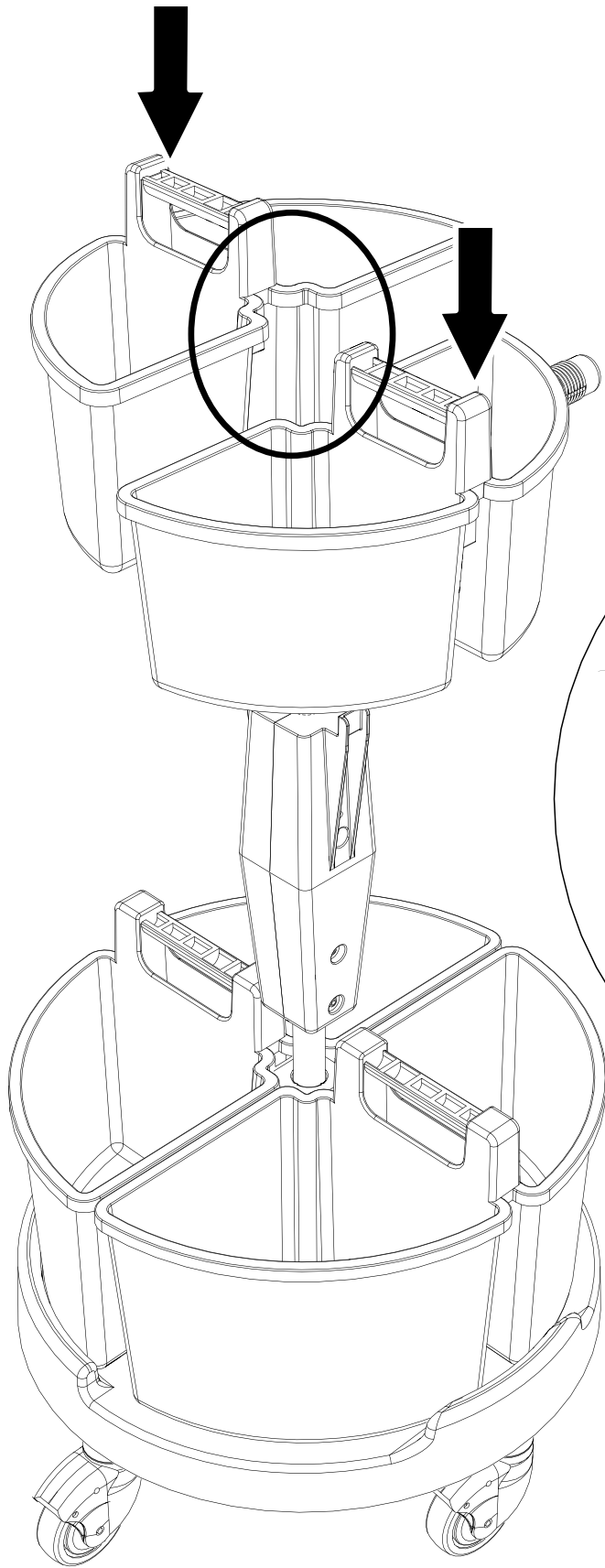
# NC-3



# NC-4



# NC-4



# NC-4

