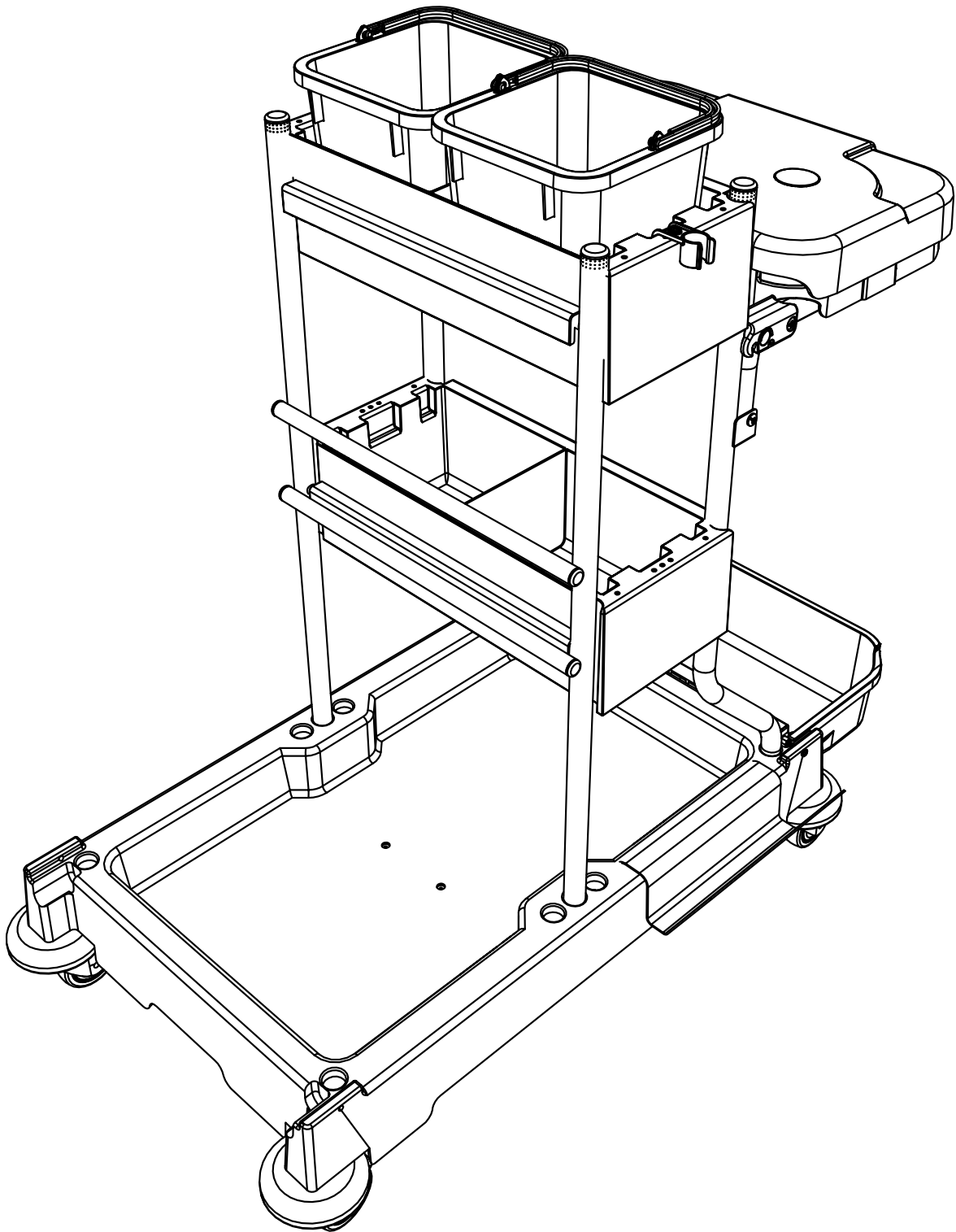
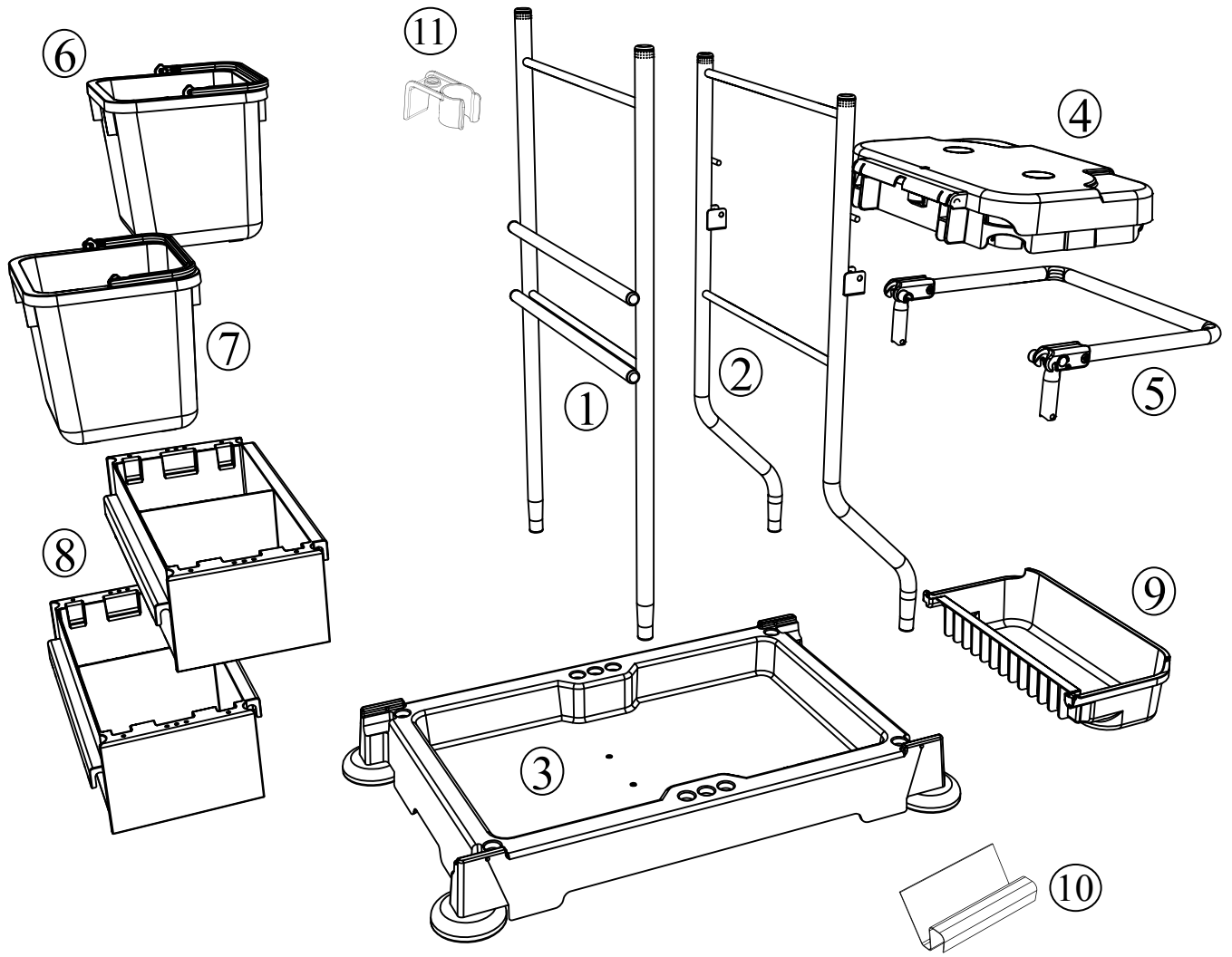


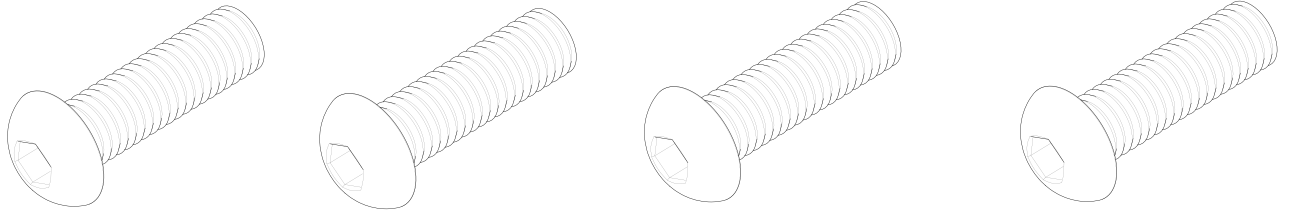
SCG 1415

C/W MOP SUPPORT





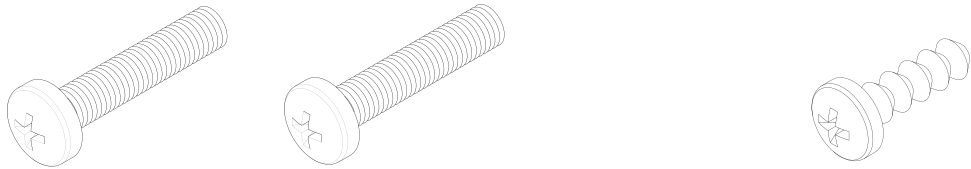
ITEM	PART	DESCRIPTION	QTY
1	338601	FRONT UPRIGHT	1
2	339451	REAR UPRIGHT	1
3	328154	LARGE BASE	1
4	339649	LIDSET	1
5	902068	LID SUPPORT FRAME	1
6	905233	6LTR BUCKET (RED HANDLE)	1
7	905234	6 LTR BUCKET (BLUE HANDLE)	1
8	904717	CLIP ON HALF TRAY	2
9	905189	BAG SUPPORT TRAY	1
10	903758	MOP SUPPORT	1
11	223348	MOP CLIP	1
—	629445	REPLACEMENT 120LTR WASTE BAGS	1 X 10



219555

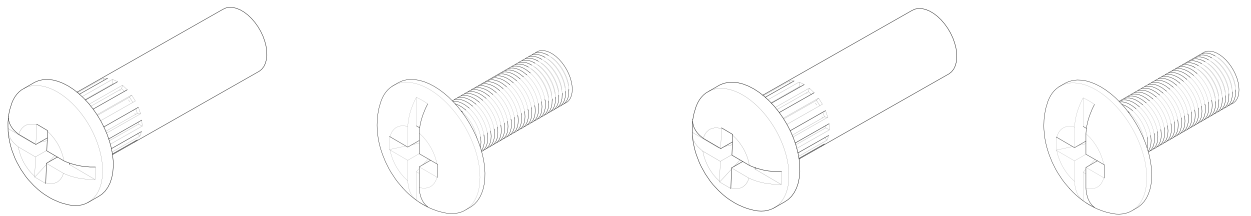


221154

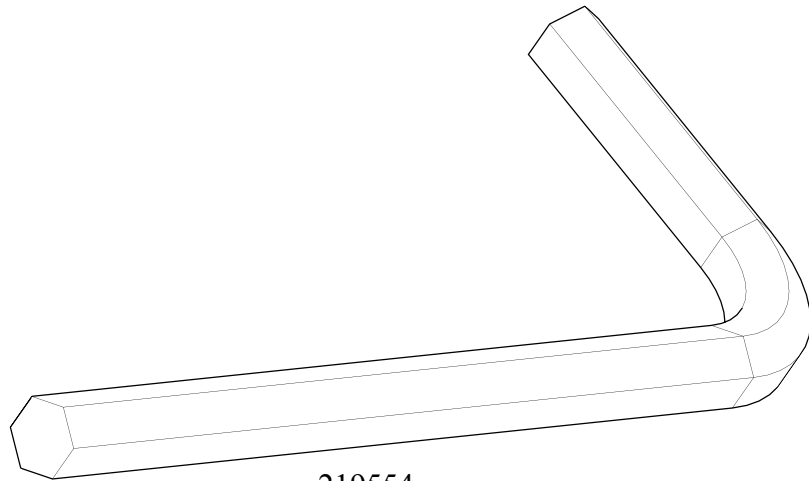


219057

219318

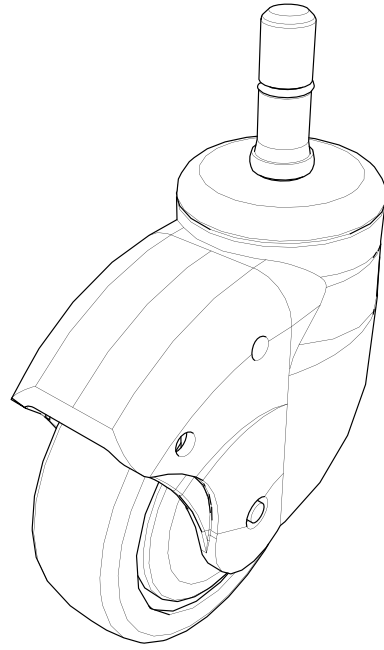


219802



219554

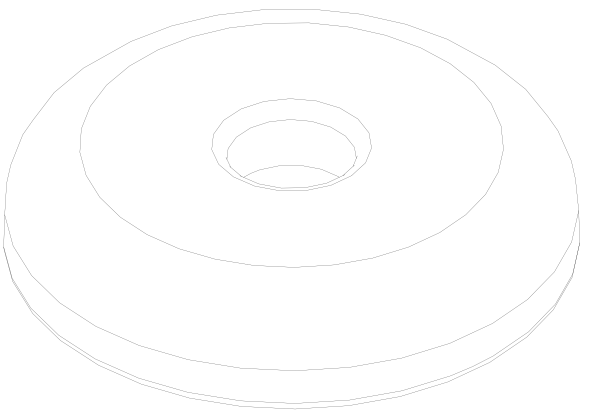
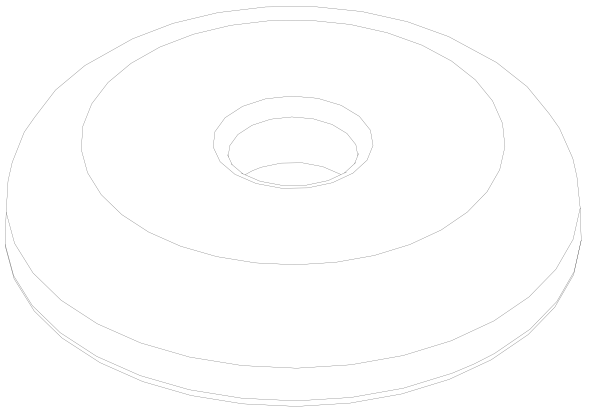
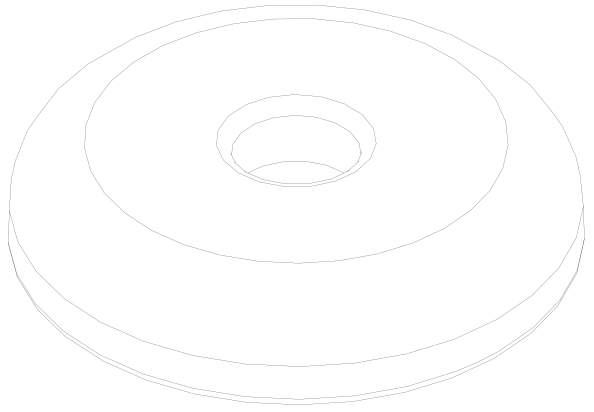
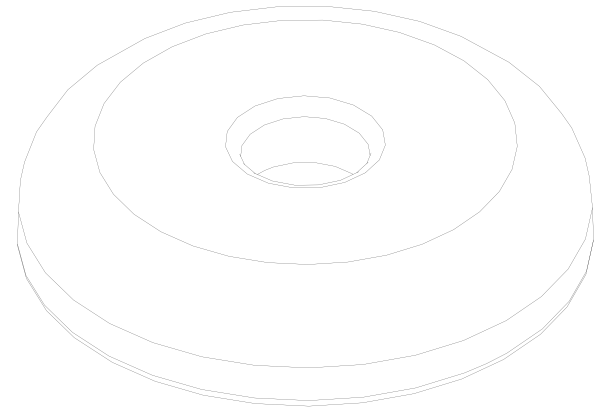
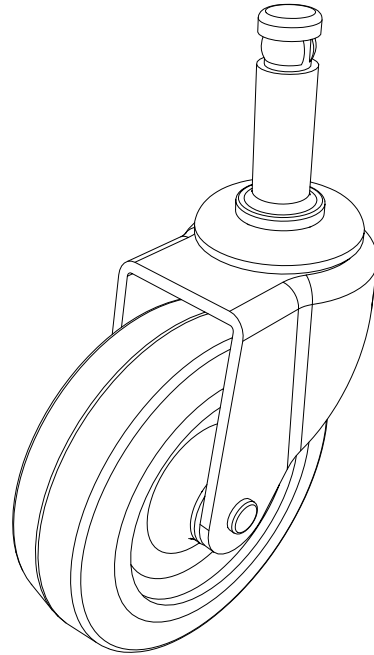
204109



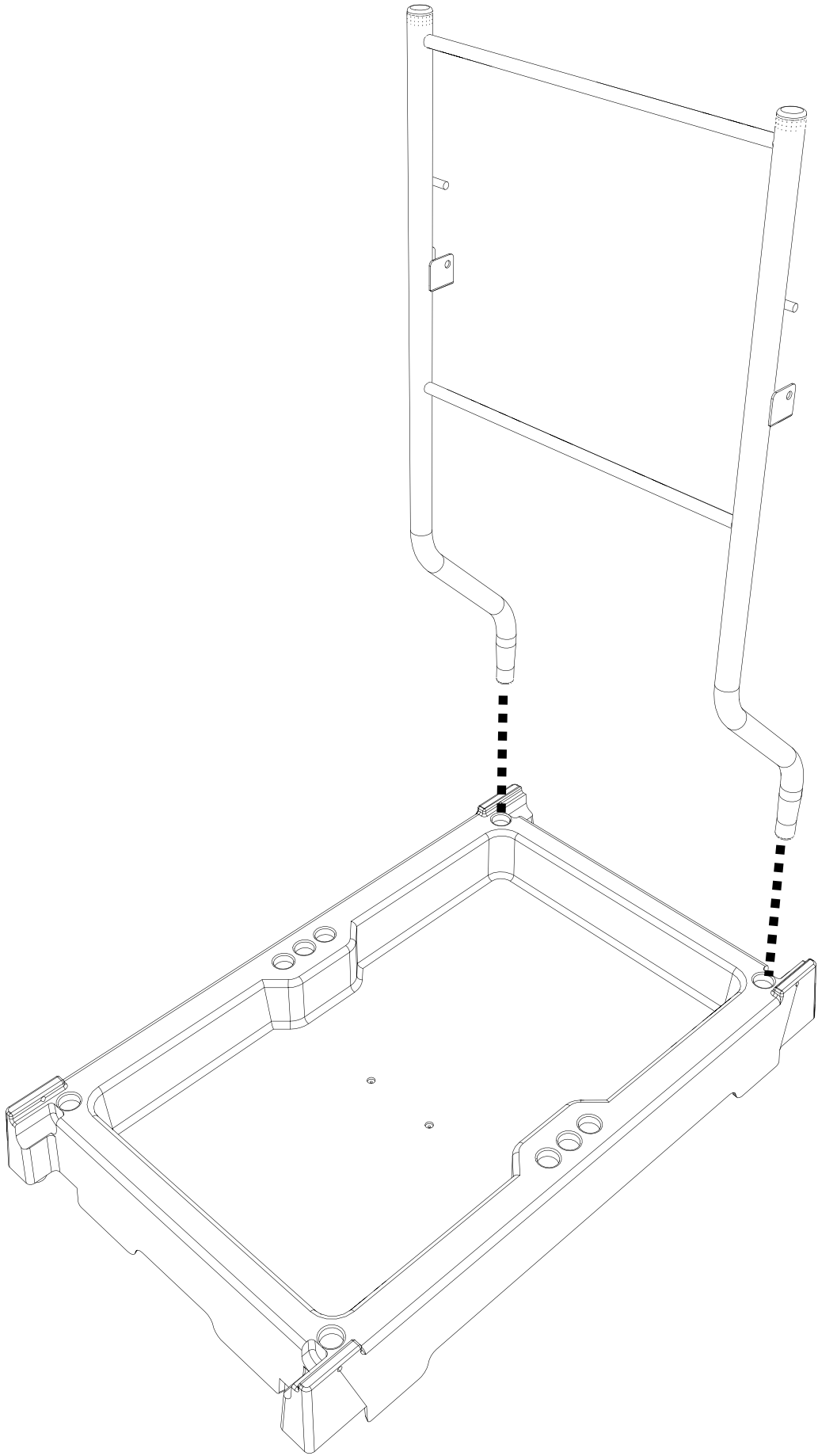
x 4



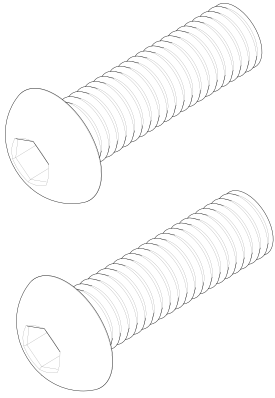
204062



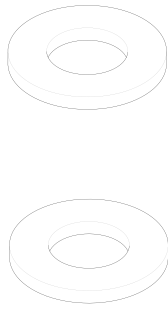
227479



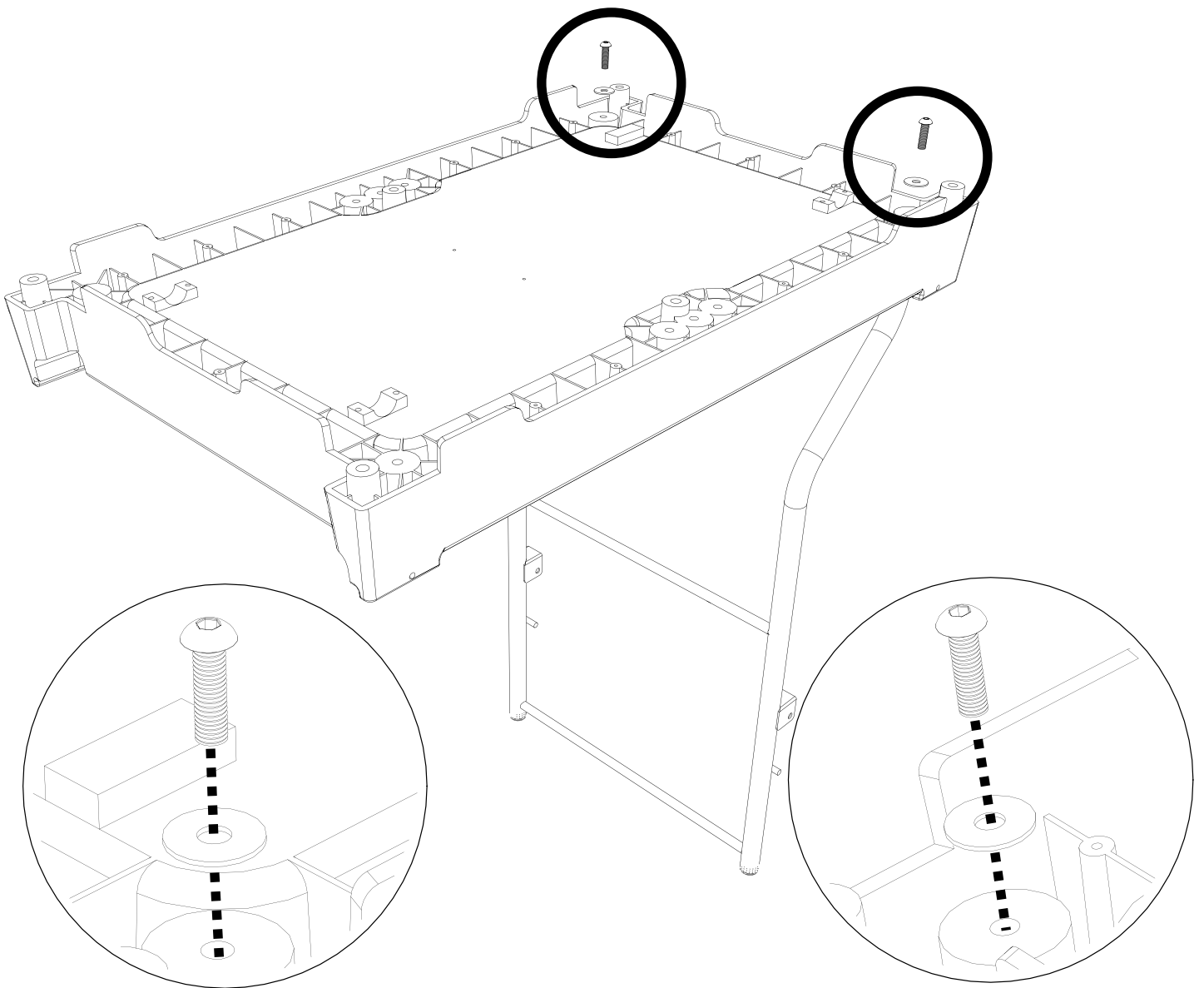
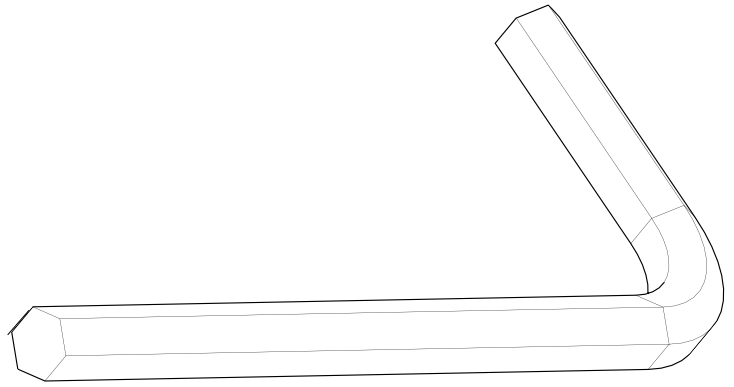
219555

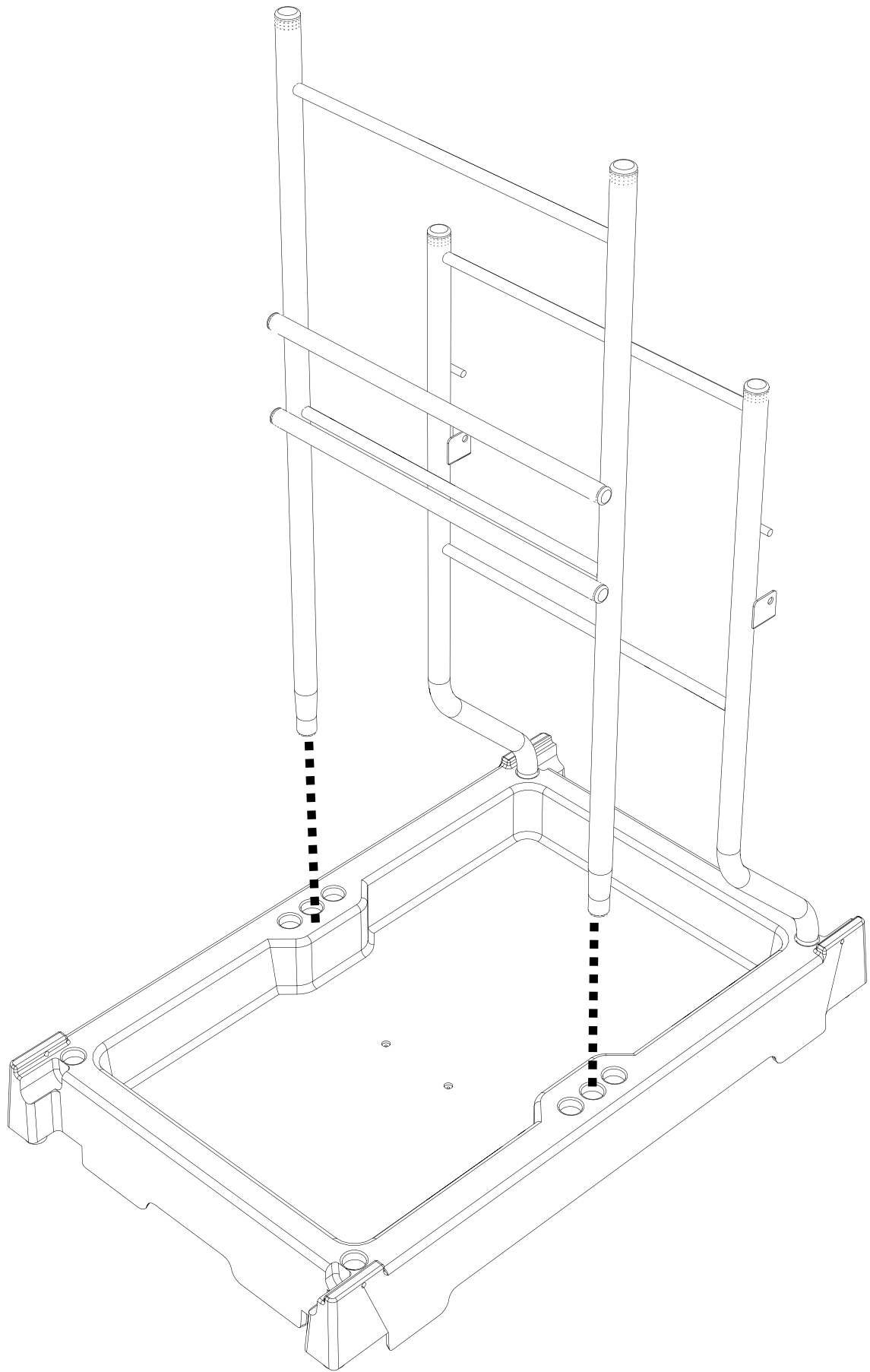


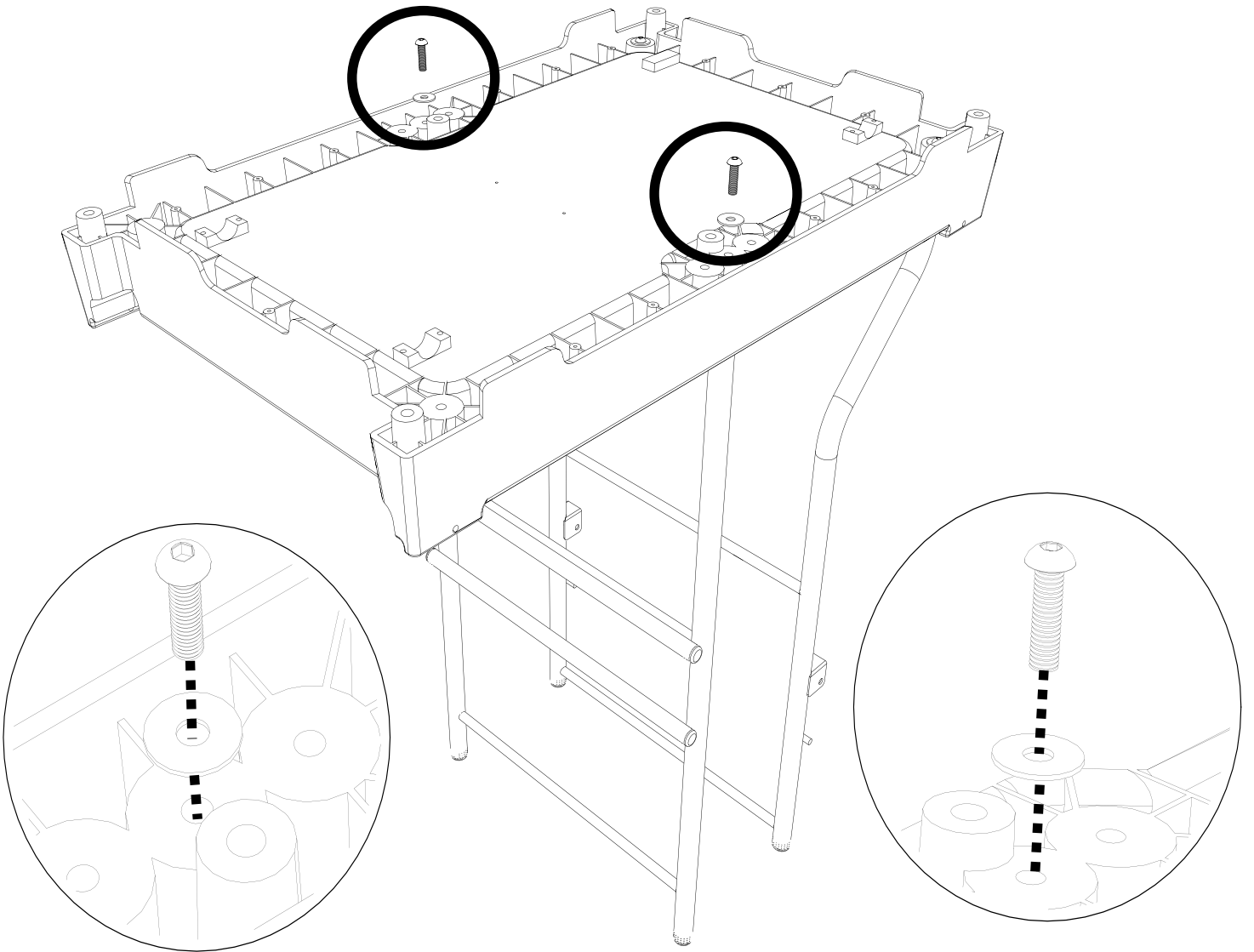
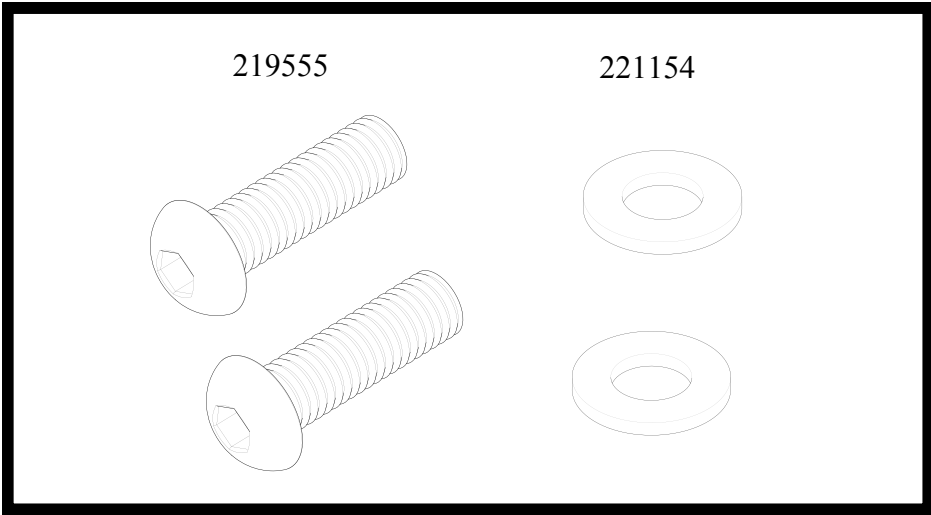
221154



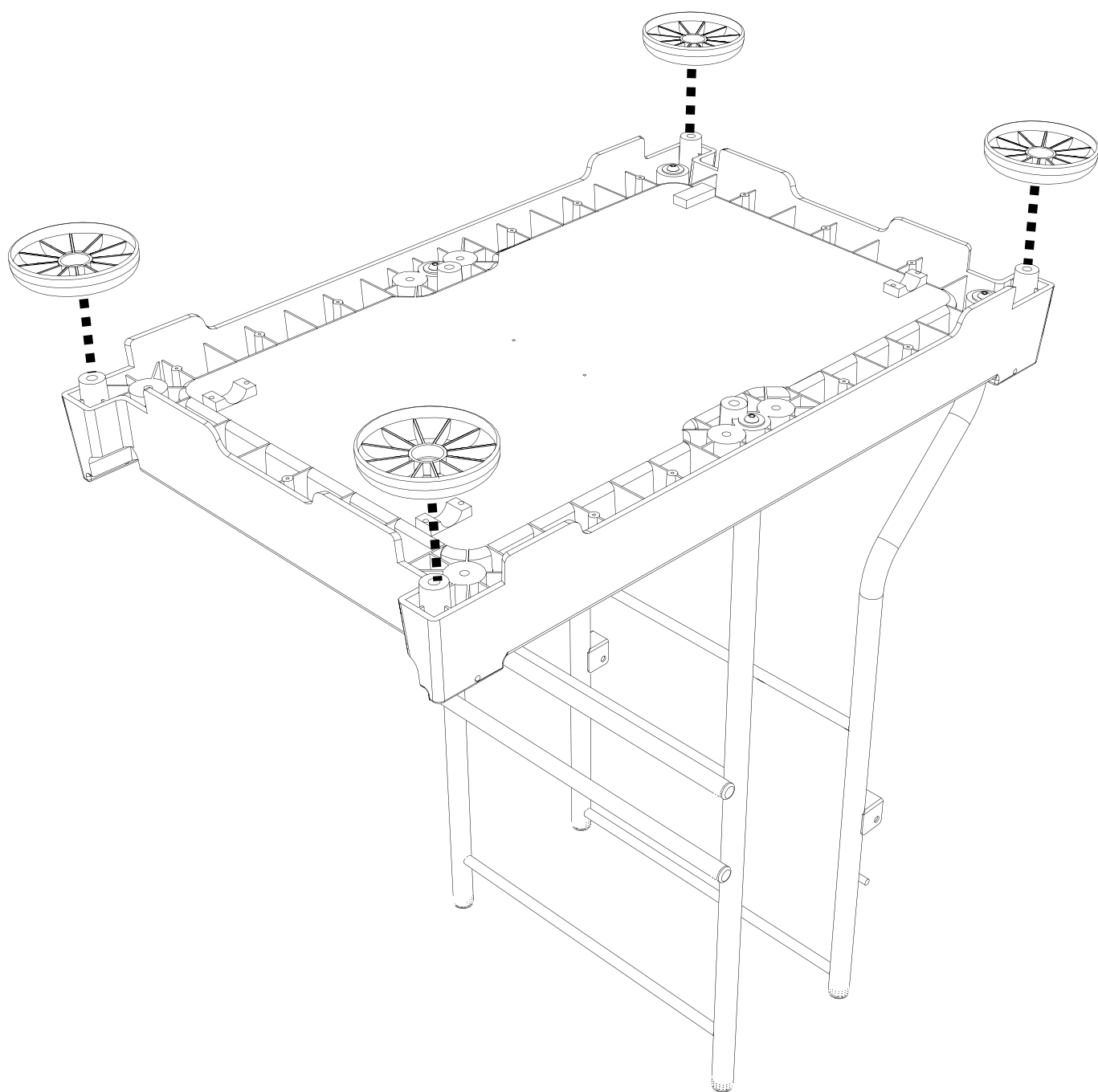
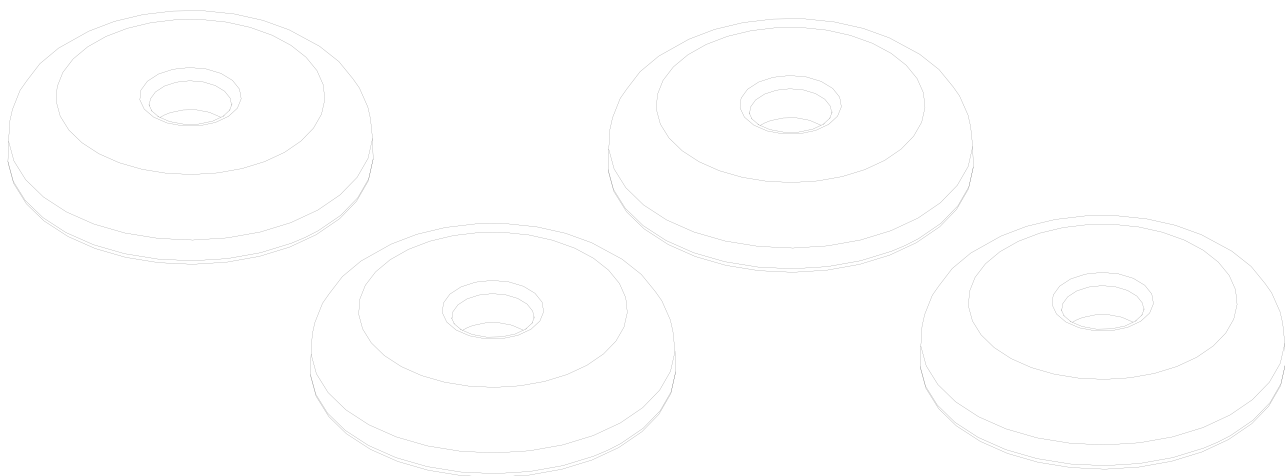
219554

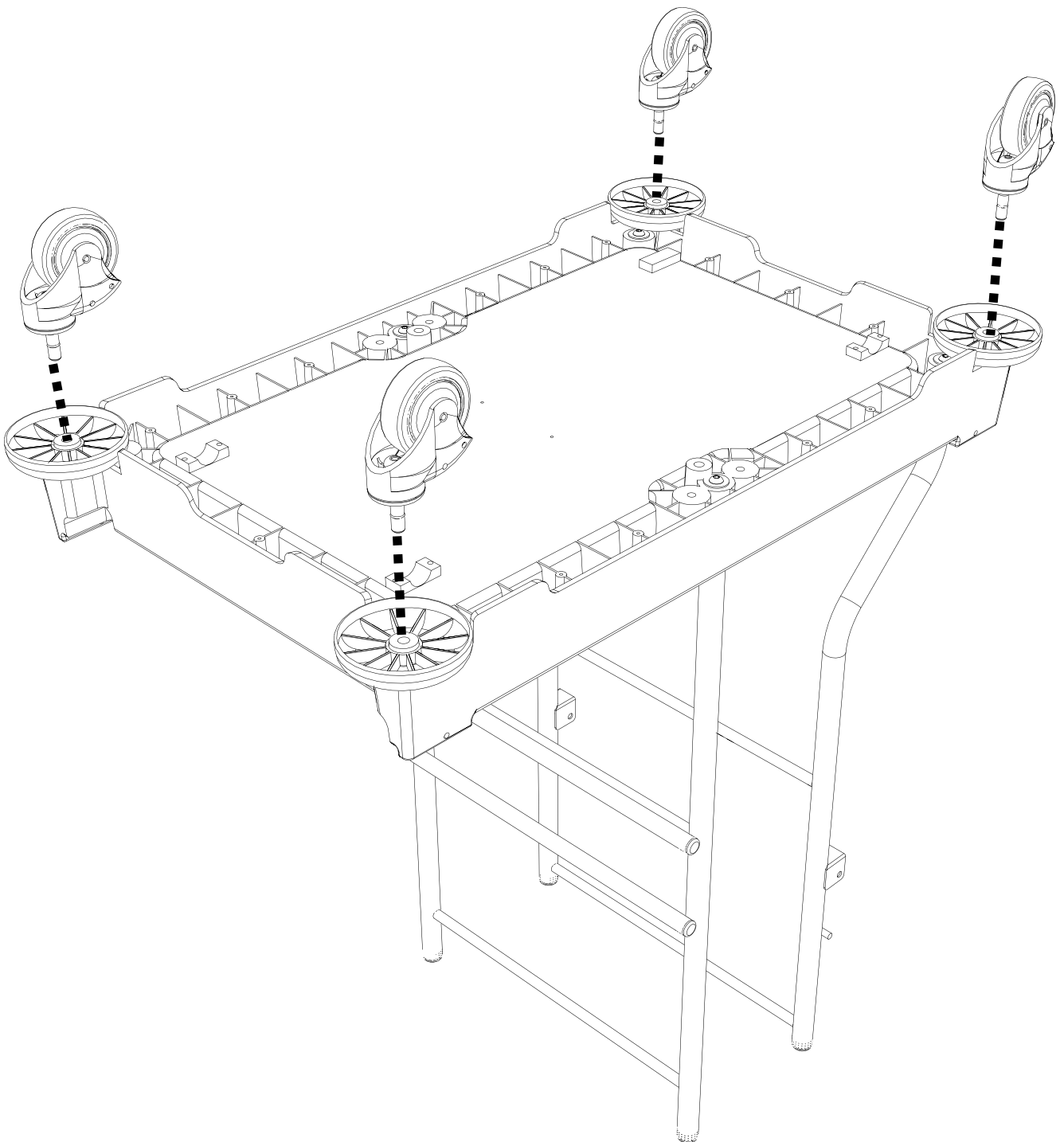
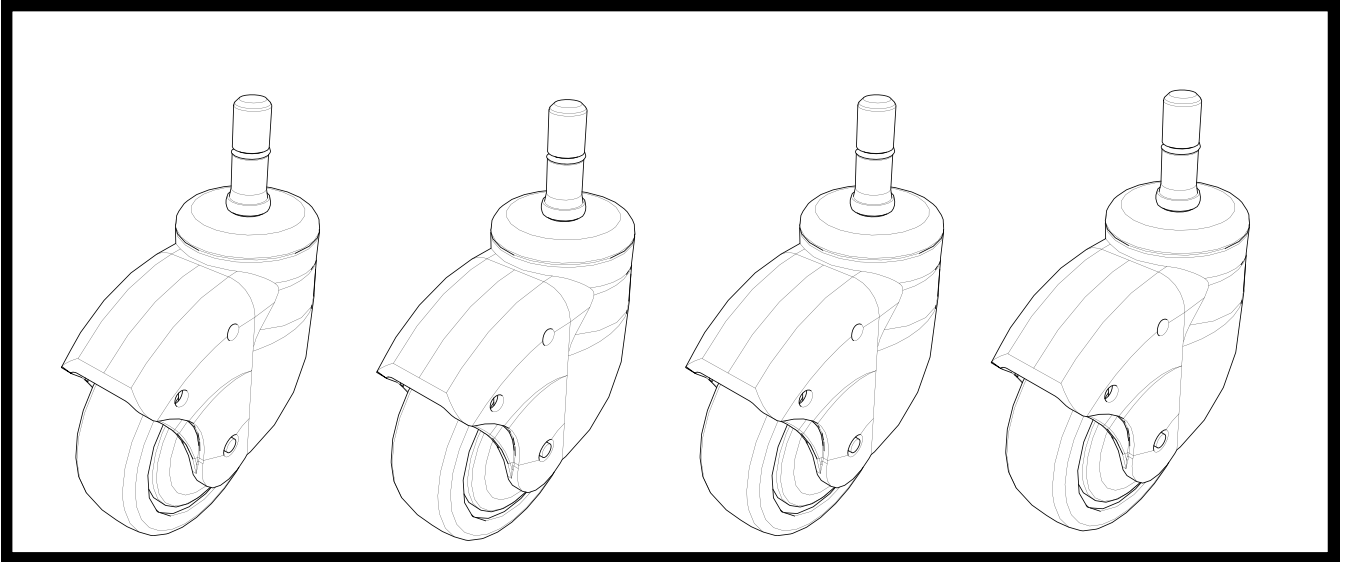


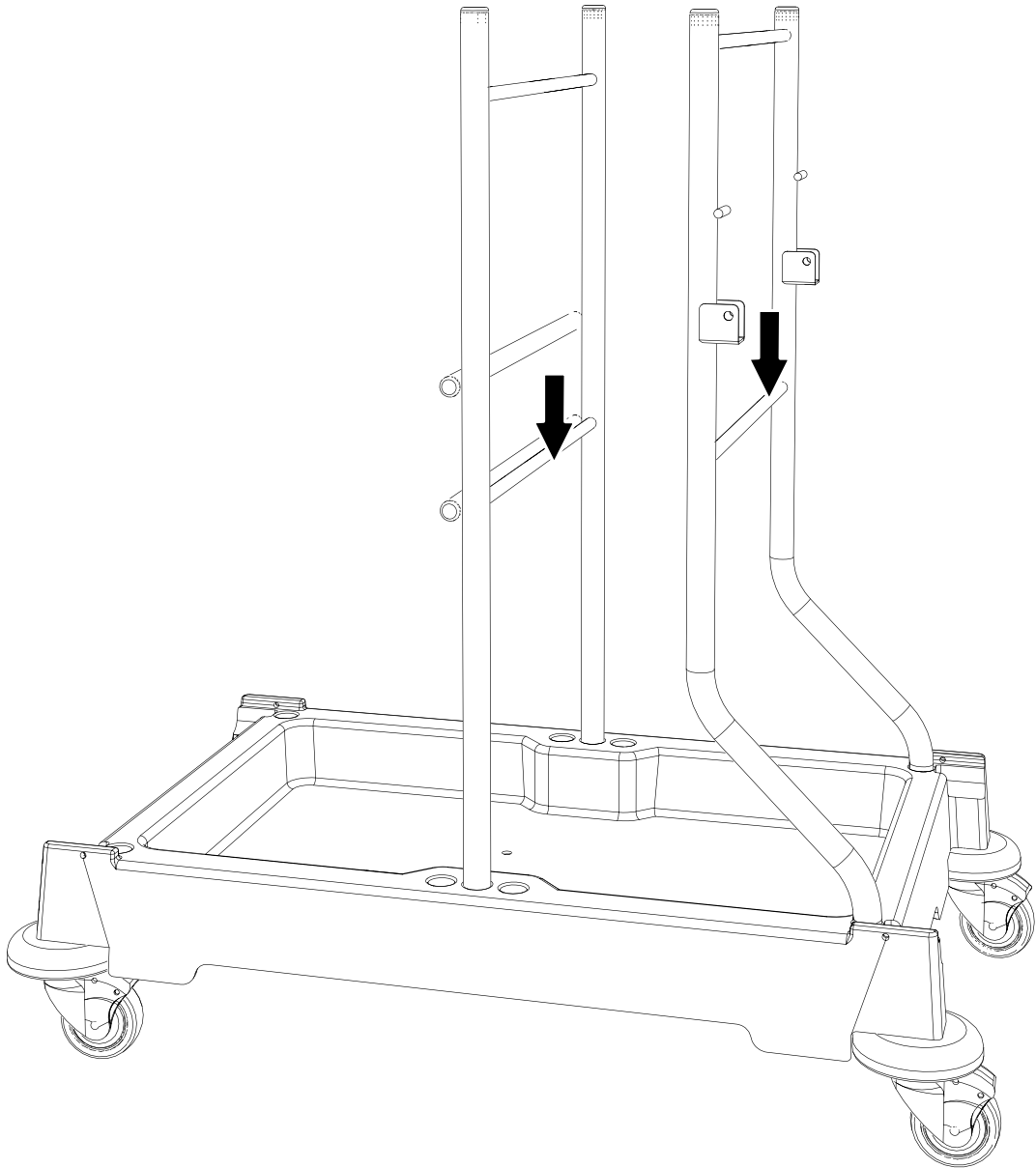
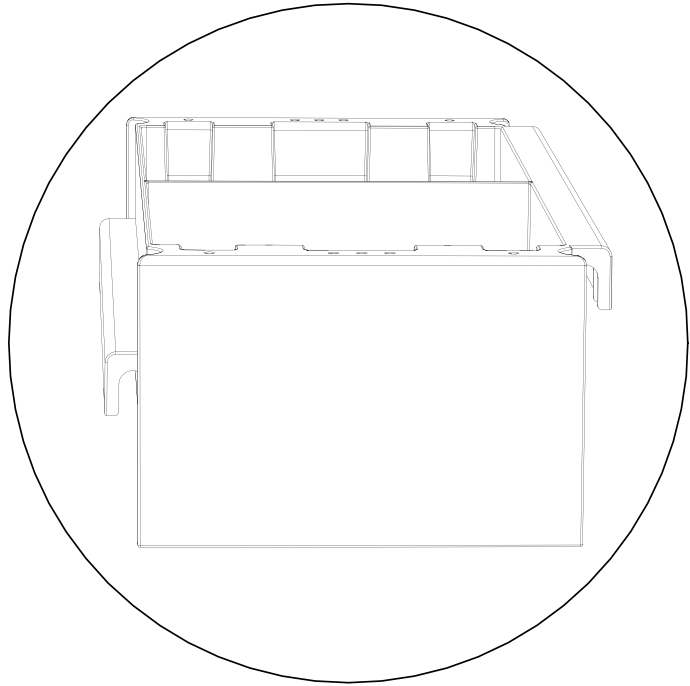


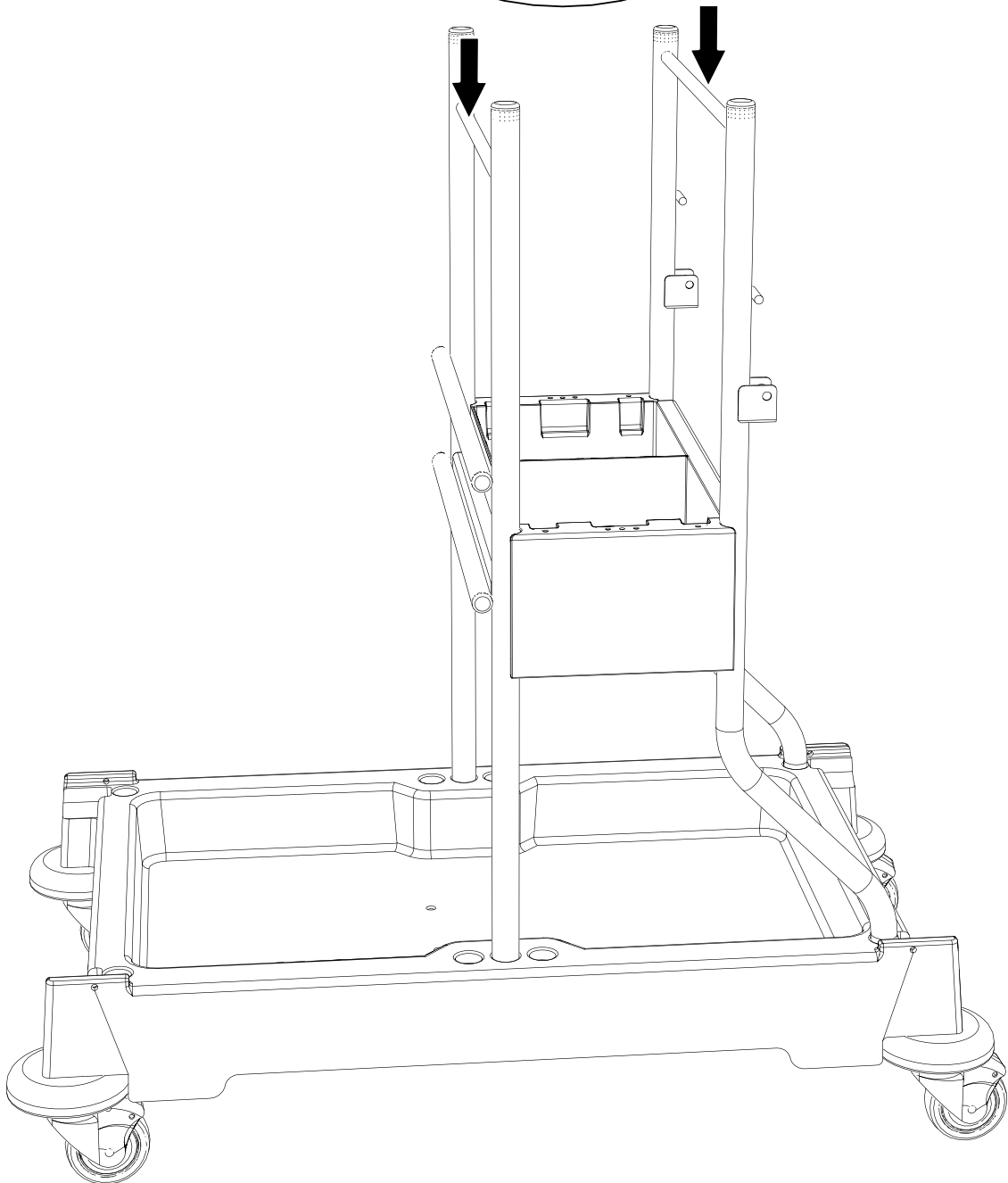
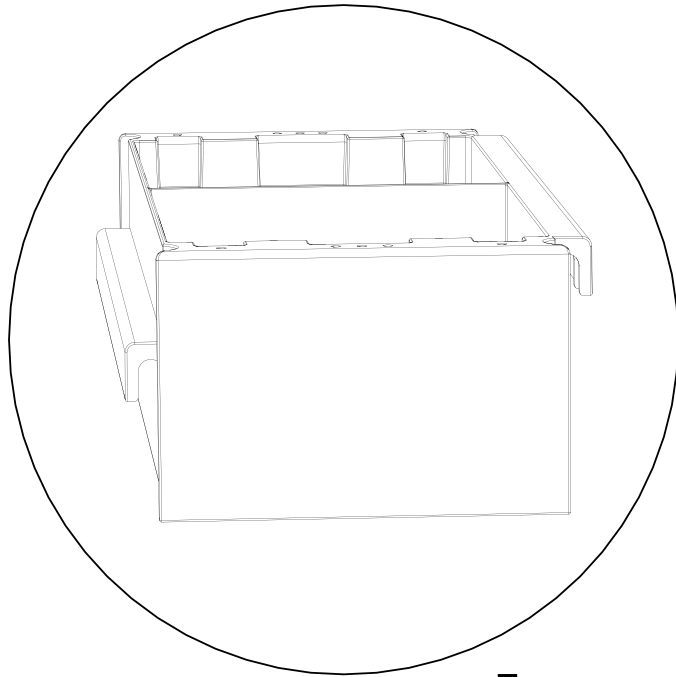


227479

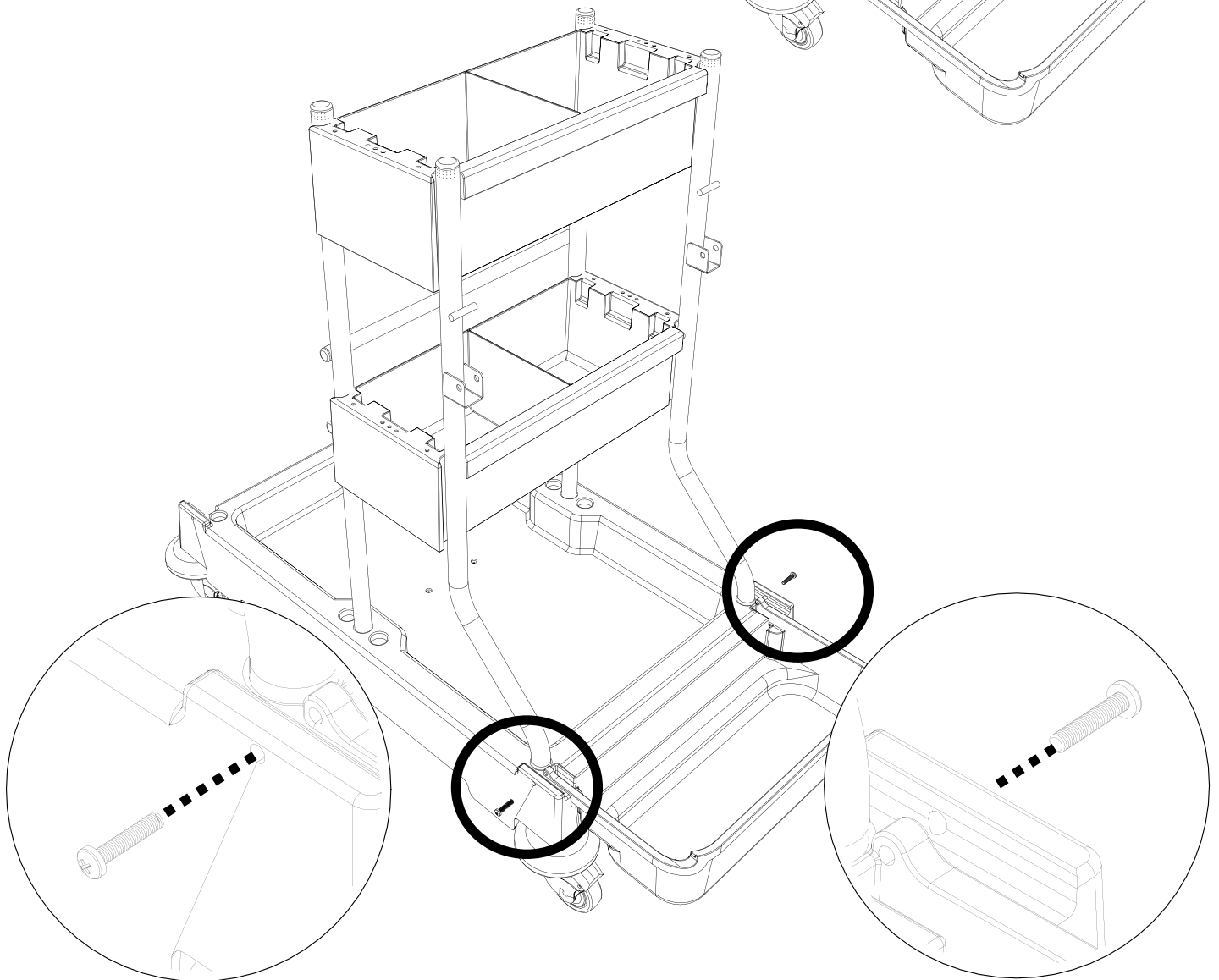
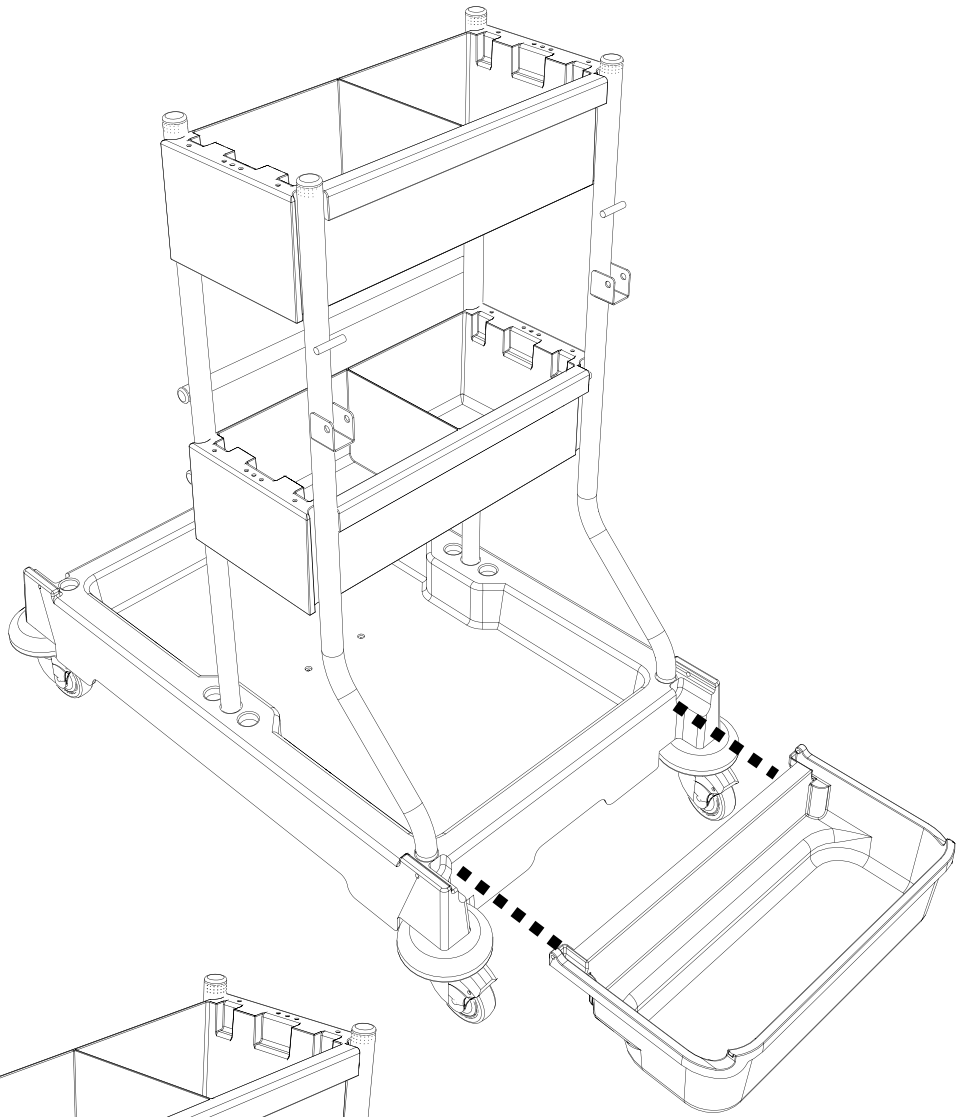
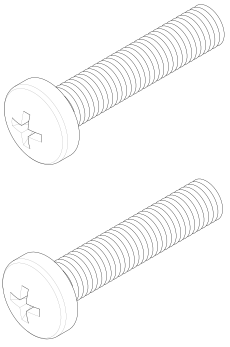




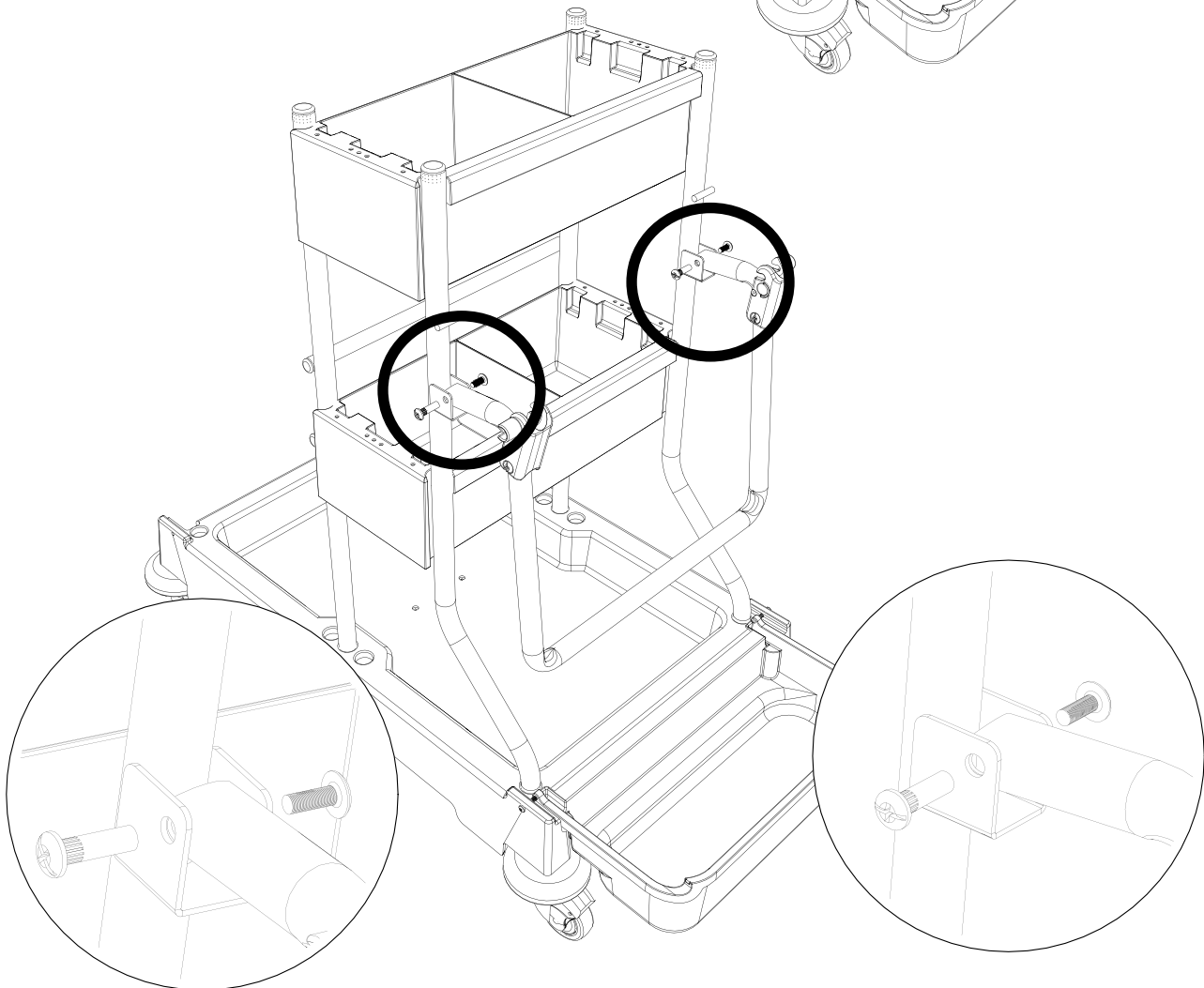
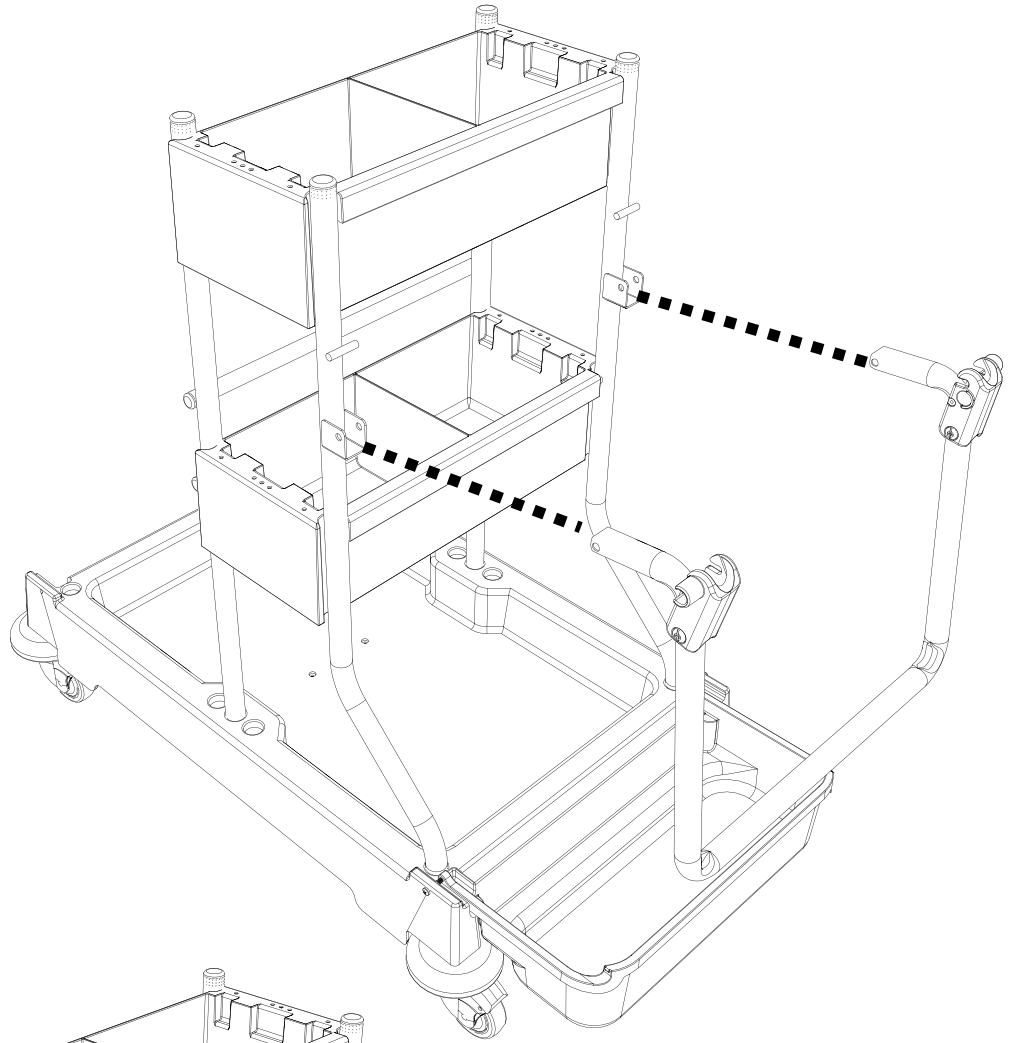
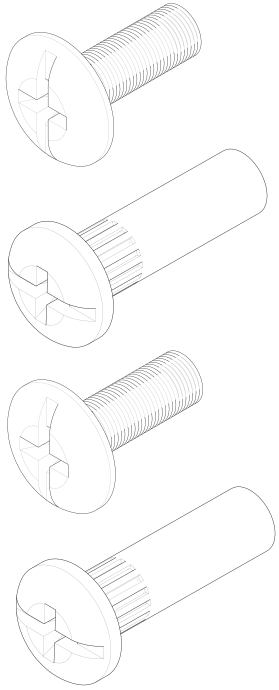


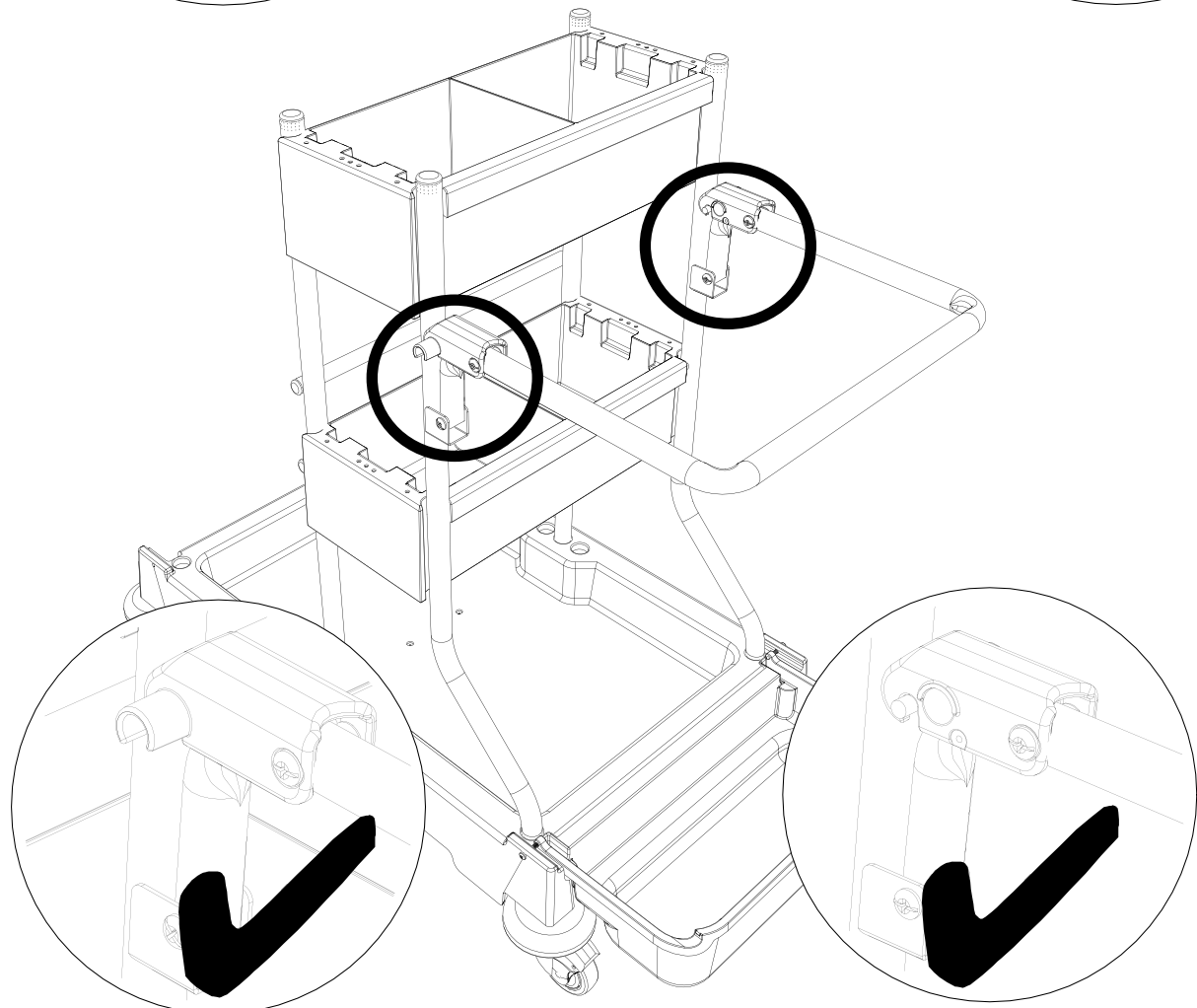
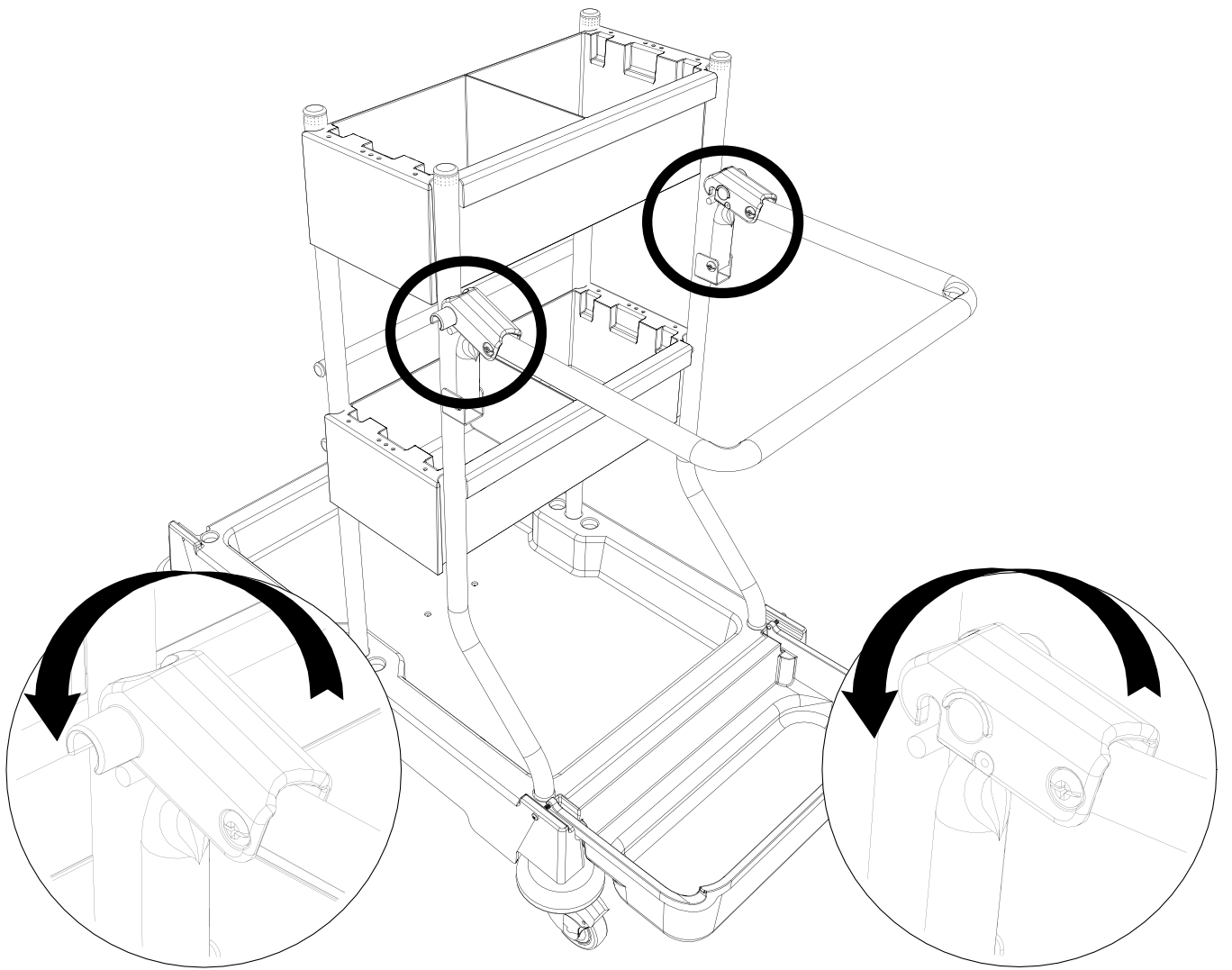


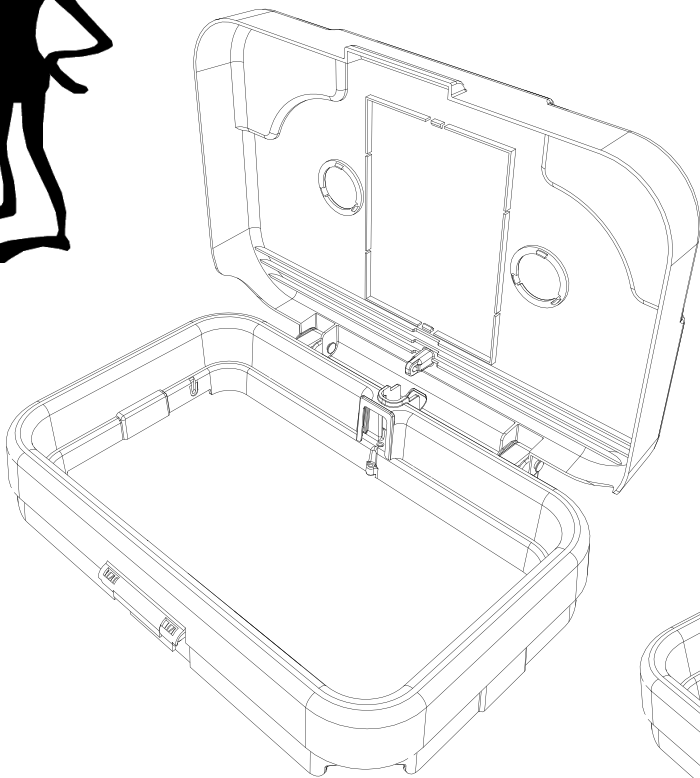
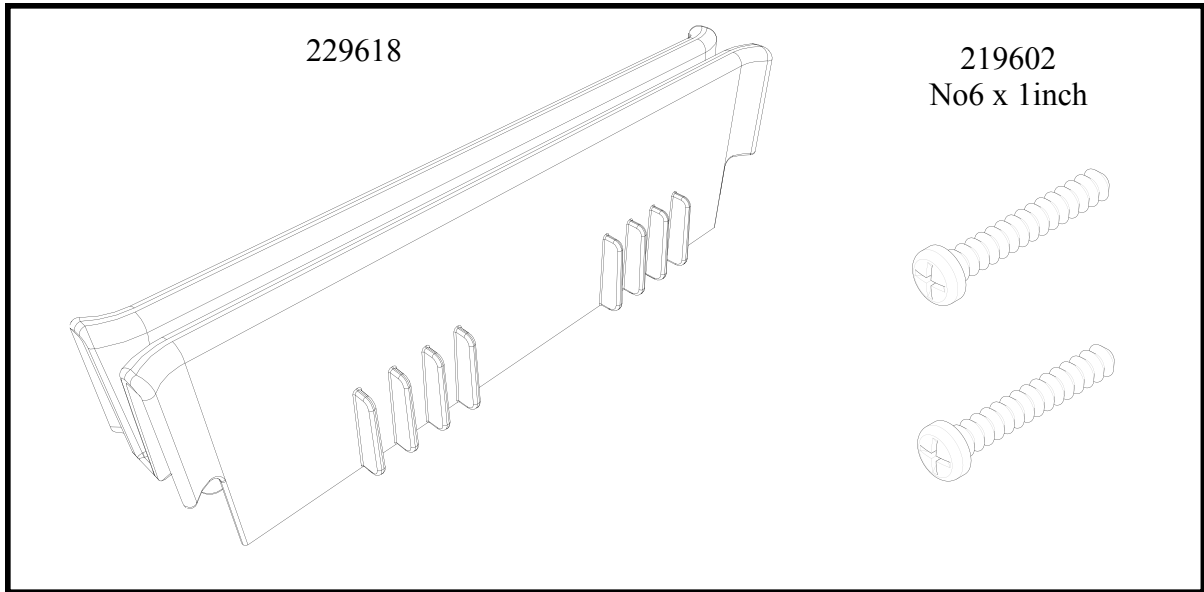
219057



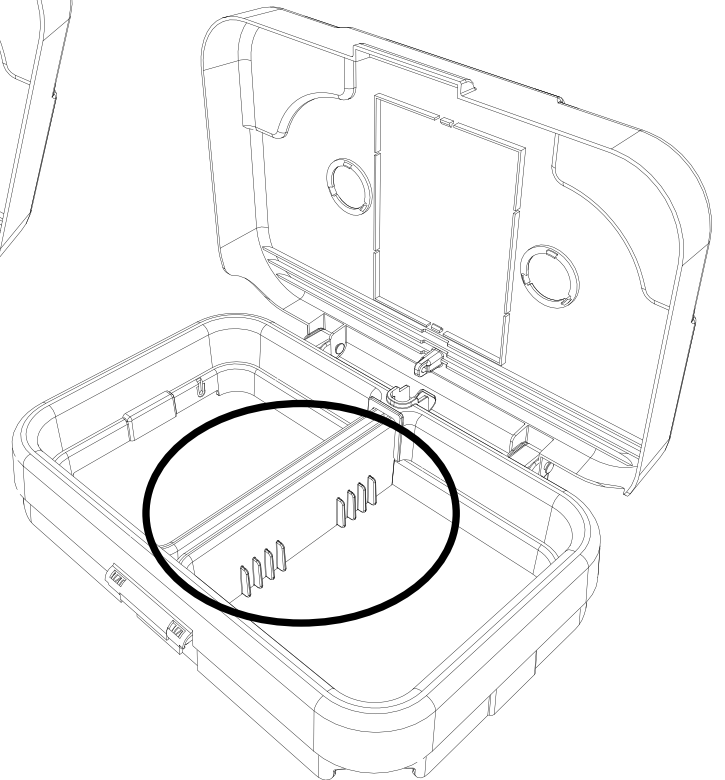
219802







120 LTR → PAGE



140 LTR → PAGE

140 LTR

