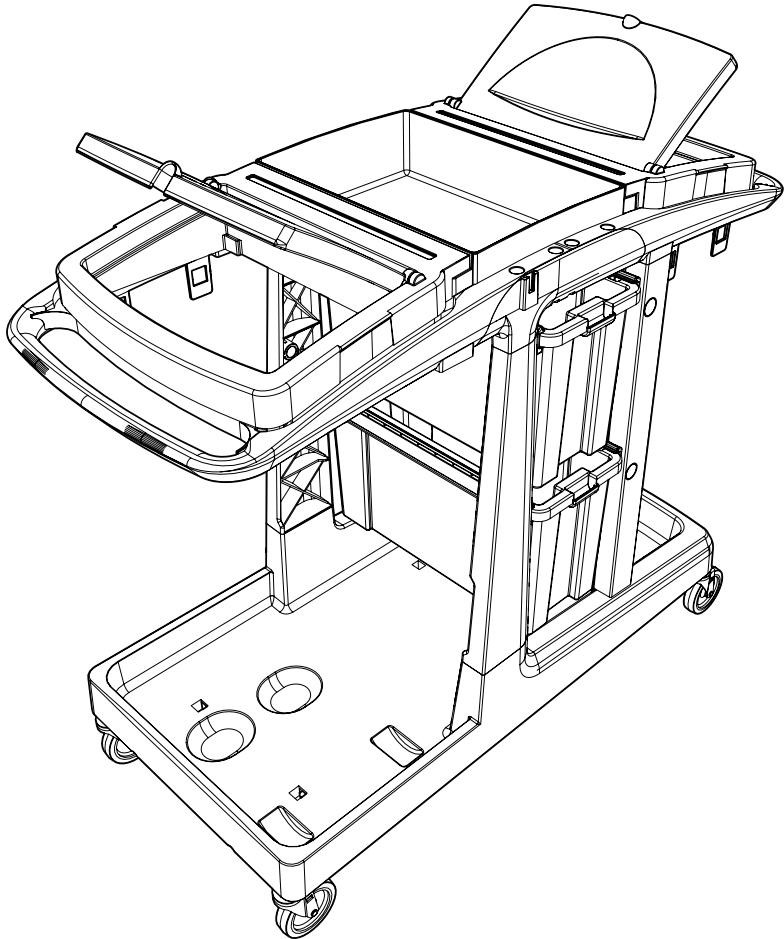
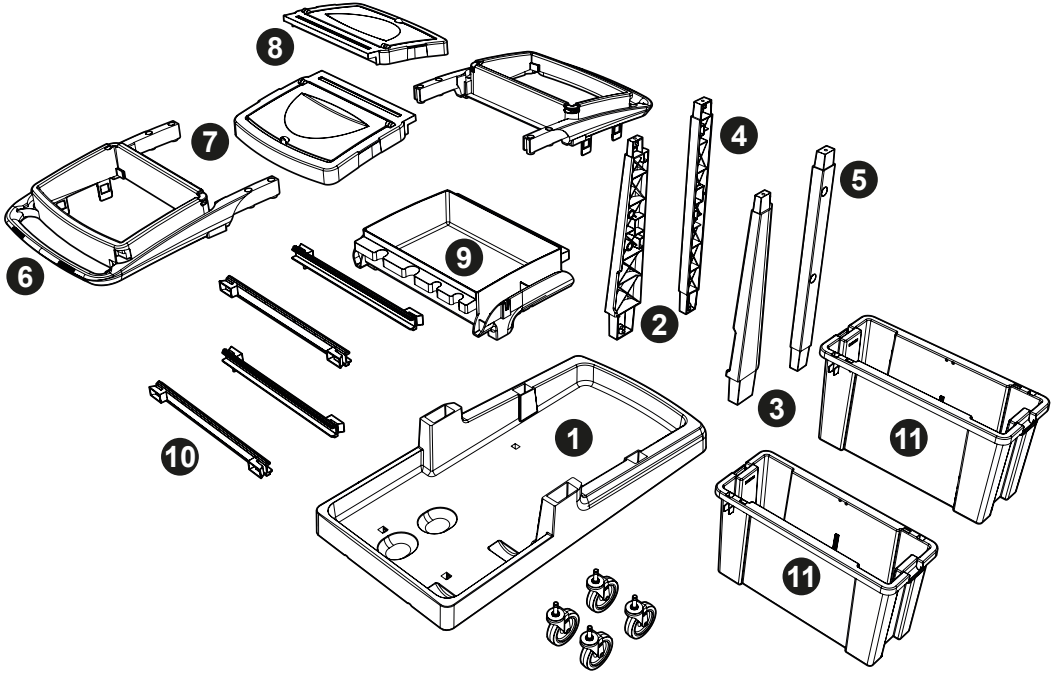


EcoMatic EM-6 Trolley Assembly



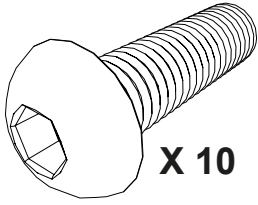


0.25 HR

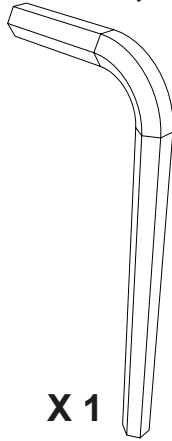


Item	Description	Qty
1	Ecomatic long reflo base	1
2	Rear right hand reflo upright	1
3	Rear left hand reflo upright	1
4	Front right hand reflo upright	1
5	Front left hand reflo upright	1
6	Reflo bag frame	2
7	Reflo bag securing frame	2
8	Lid moulding	2
9	Reflo top tray	1
10	Black reflo runner moulding	4
11	Narrow reflo storage box	2

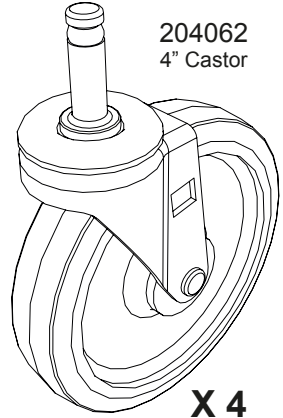
219555
M8 25mm Socket Bolt



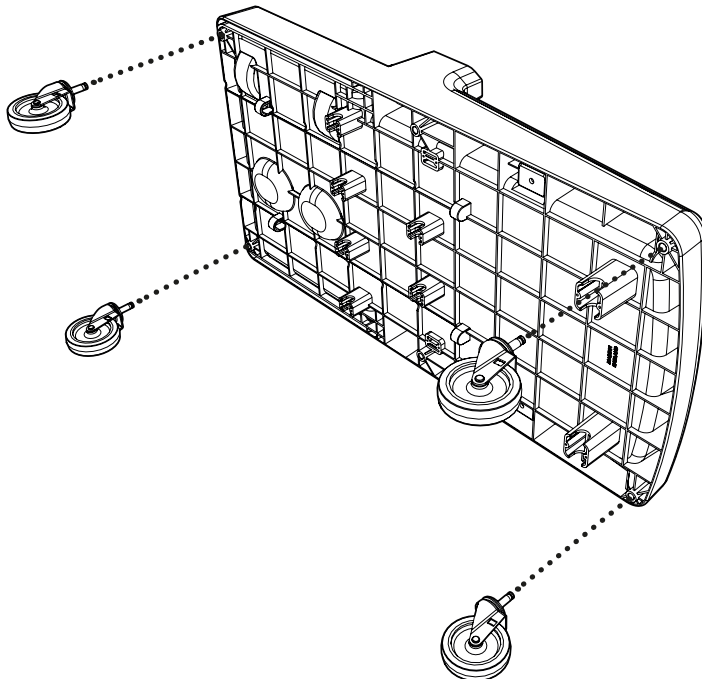
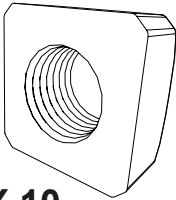
219554
Allen Key



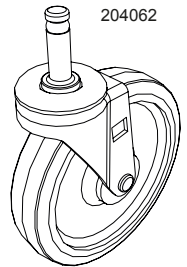
204062
4" Castor

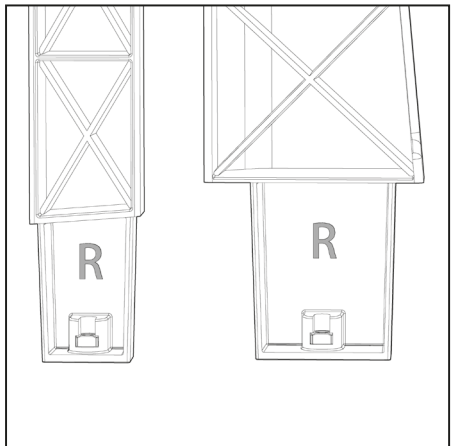
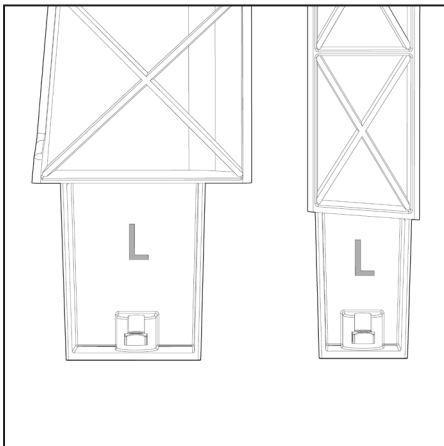
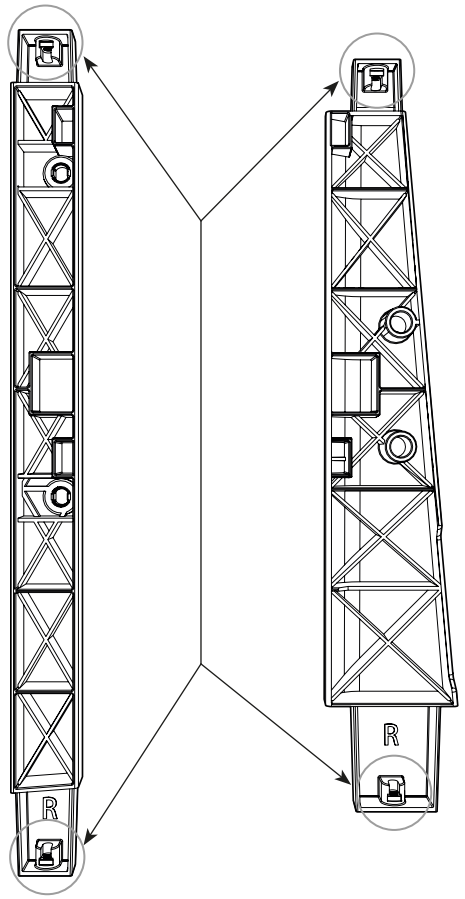
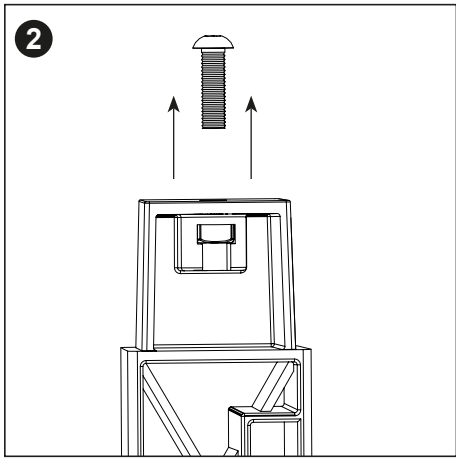
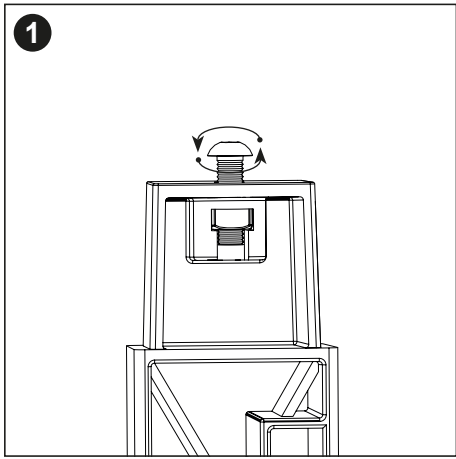


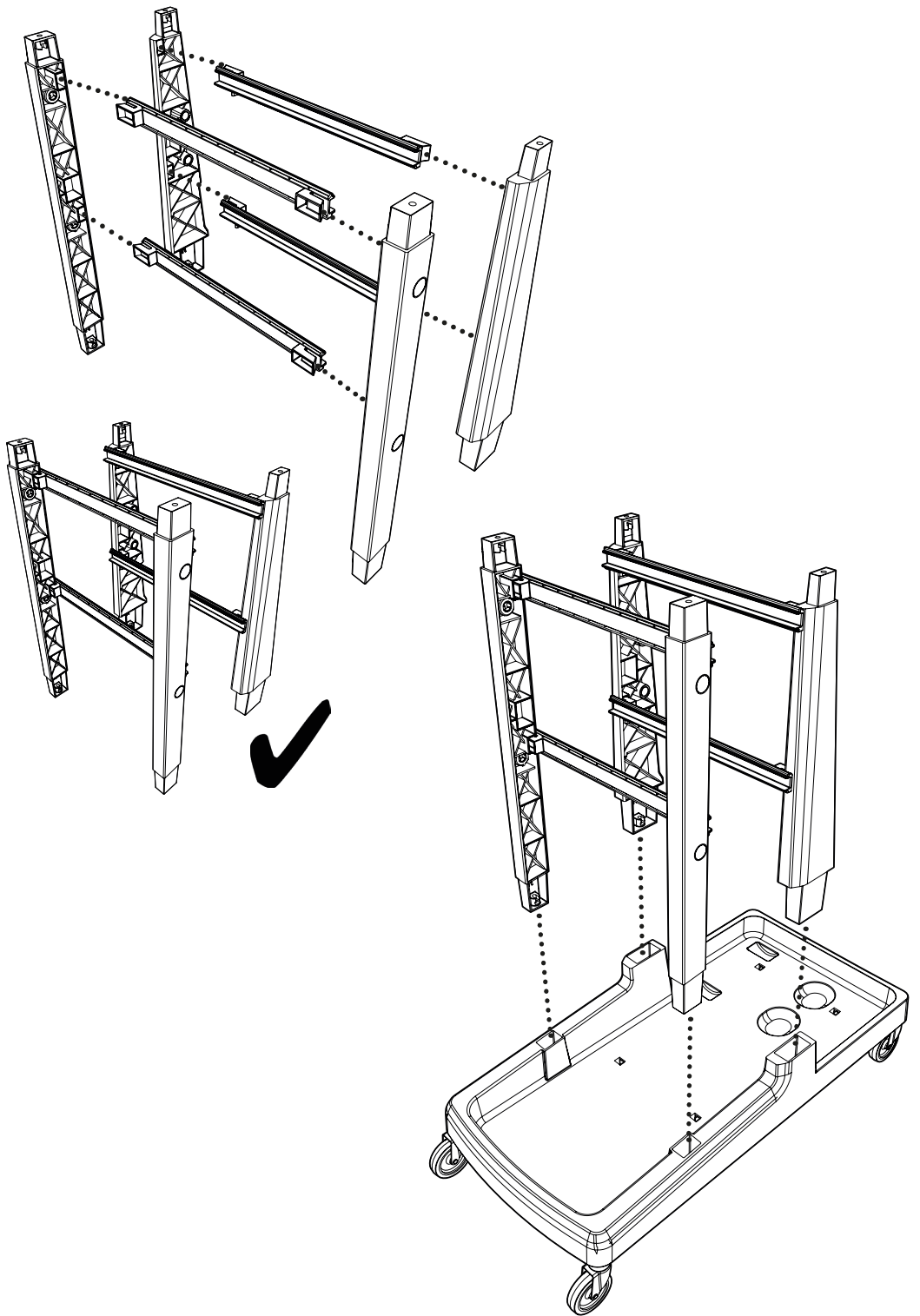
909372
M8 Square Nut

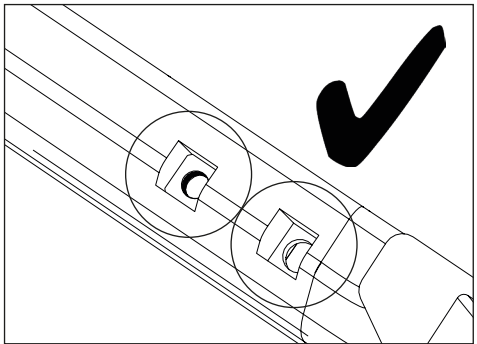
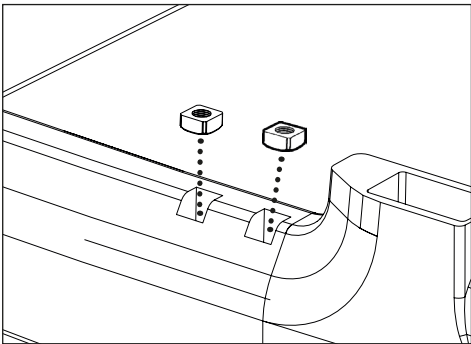
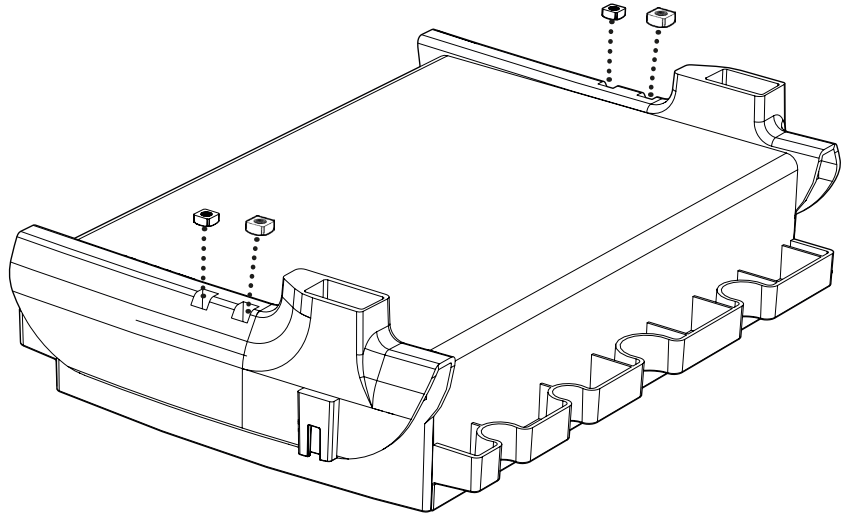
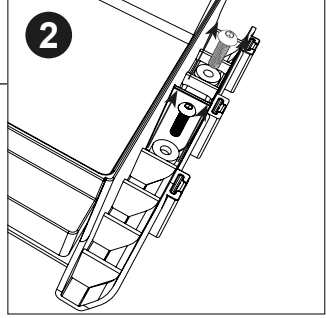
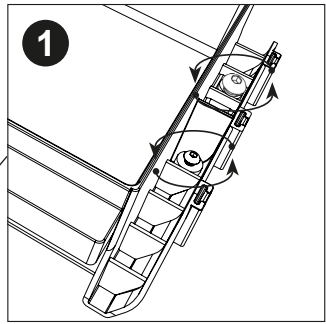
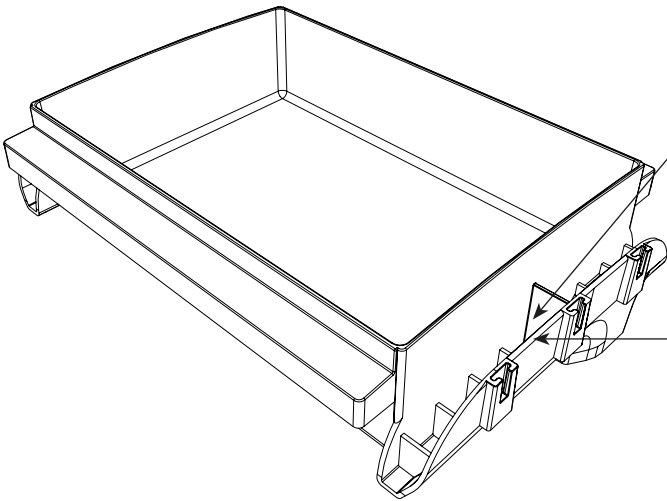


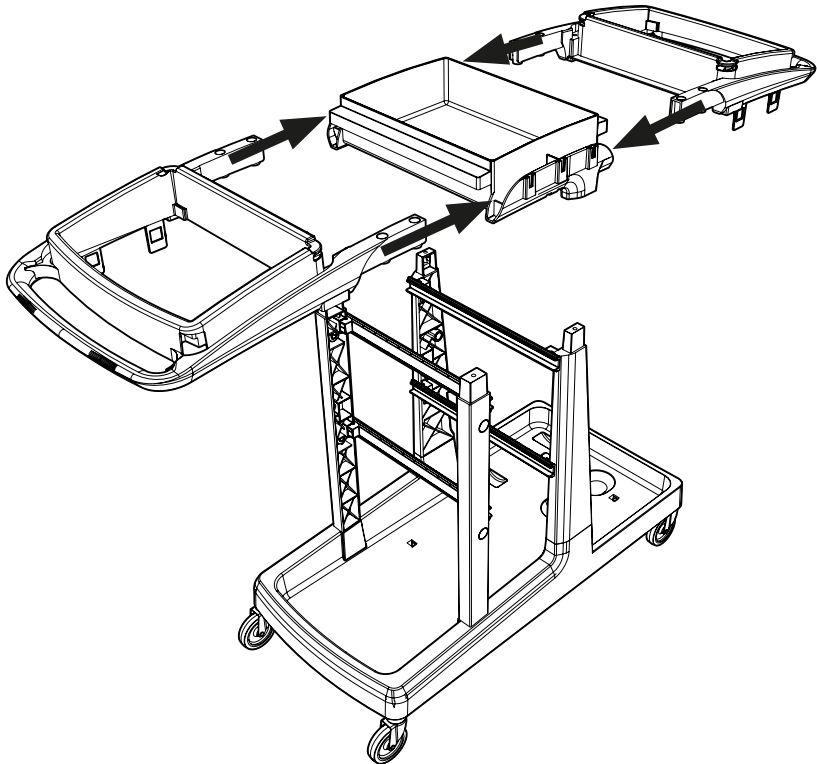
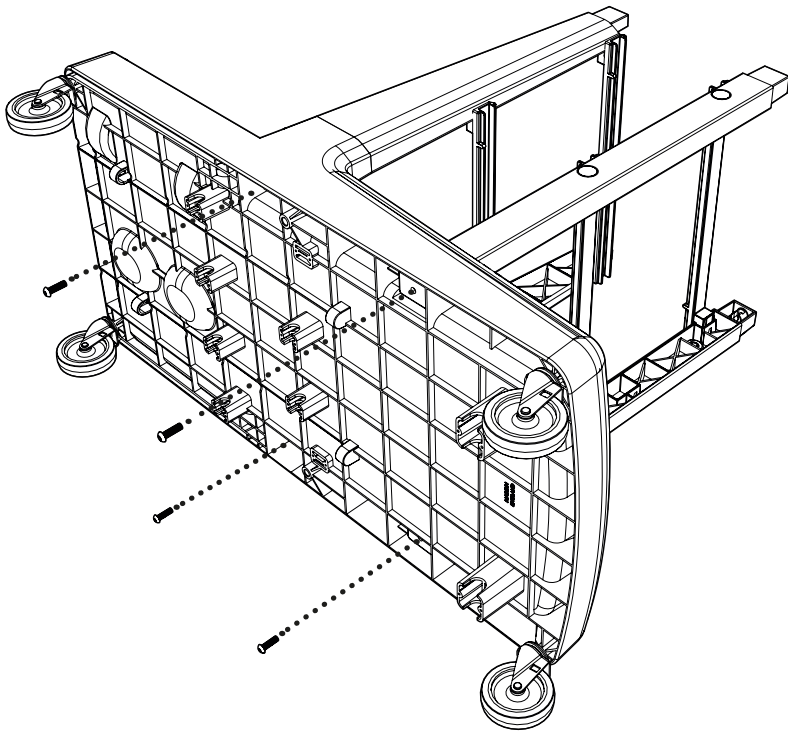
204062

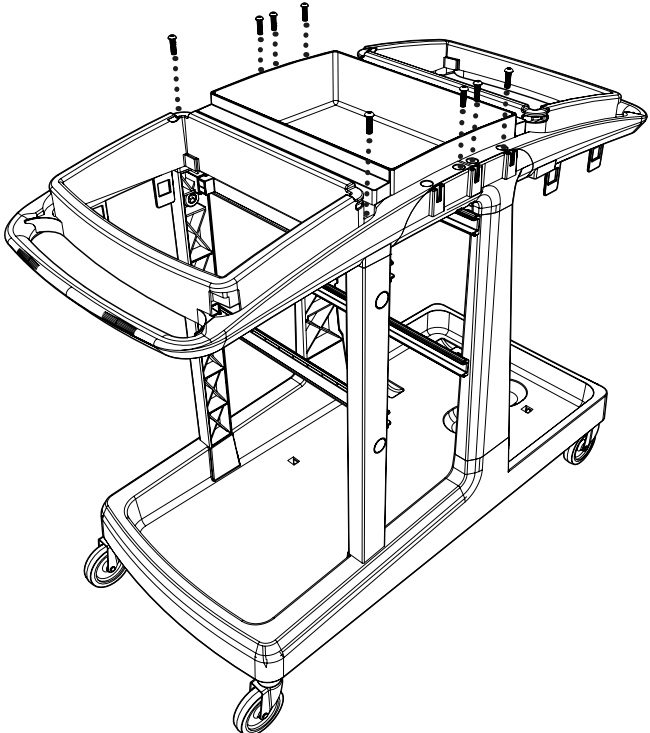
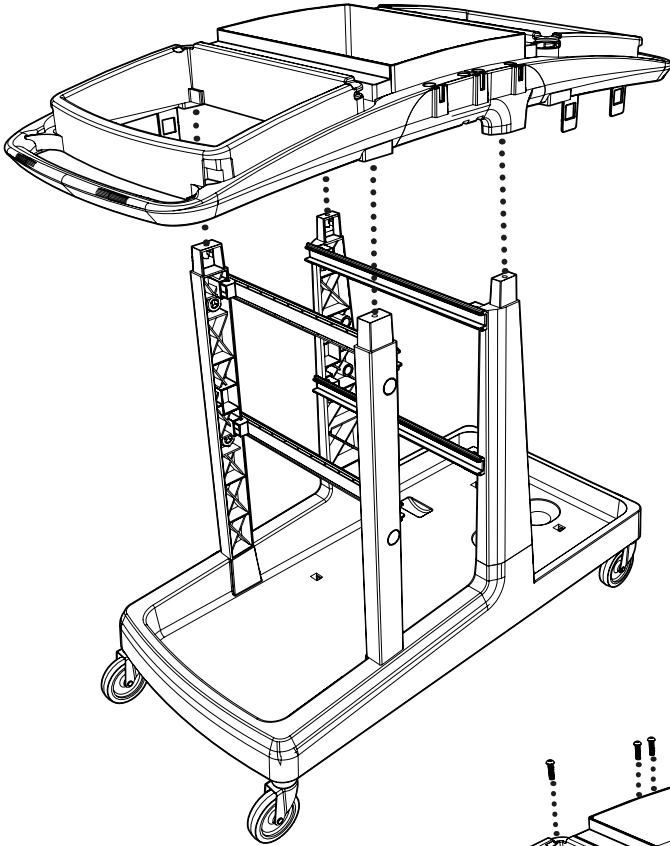


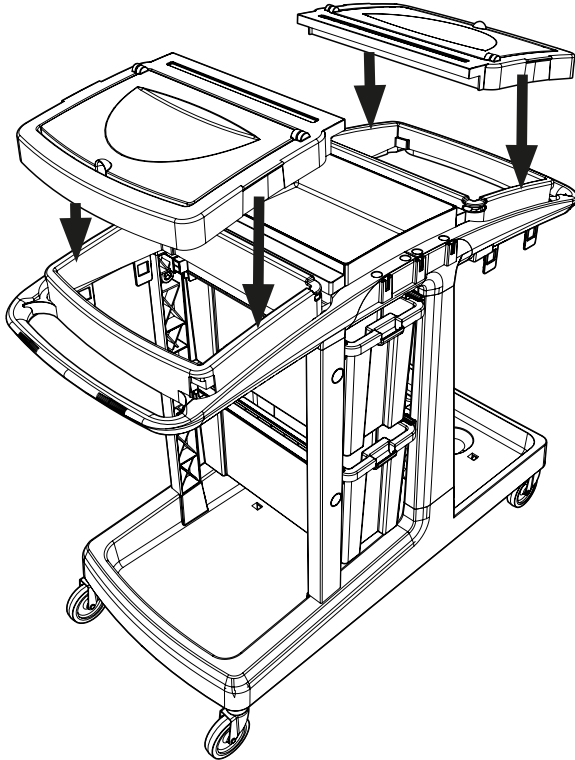
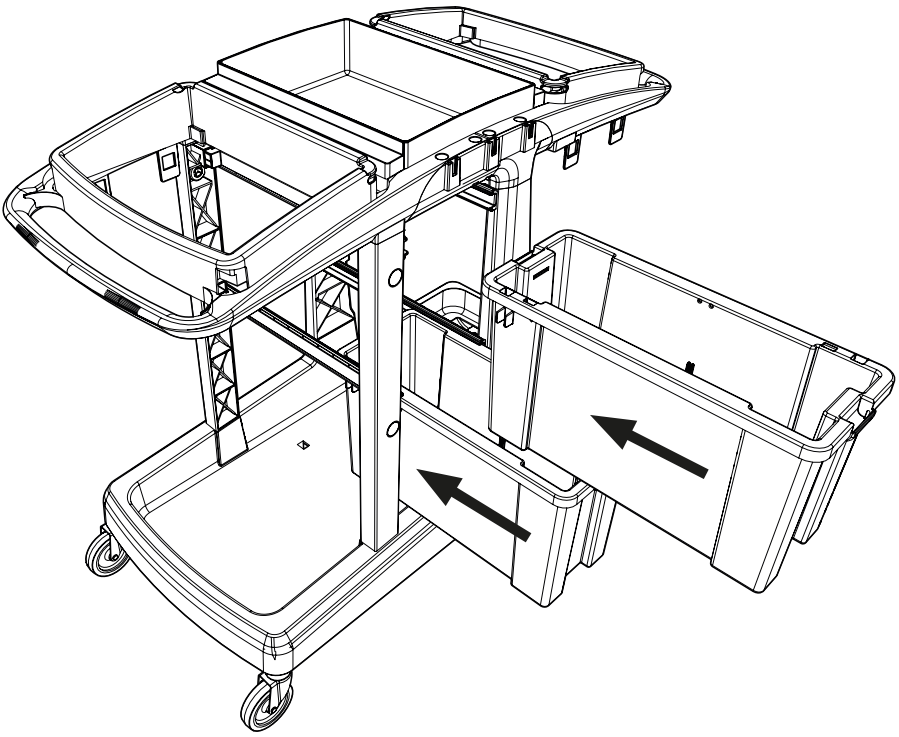












EcoMatic EM-6 Trolley Assembly

