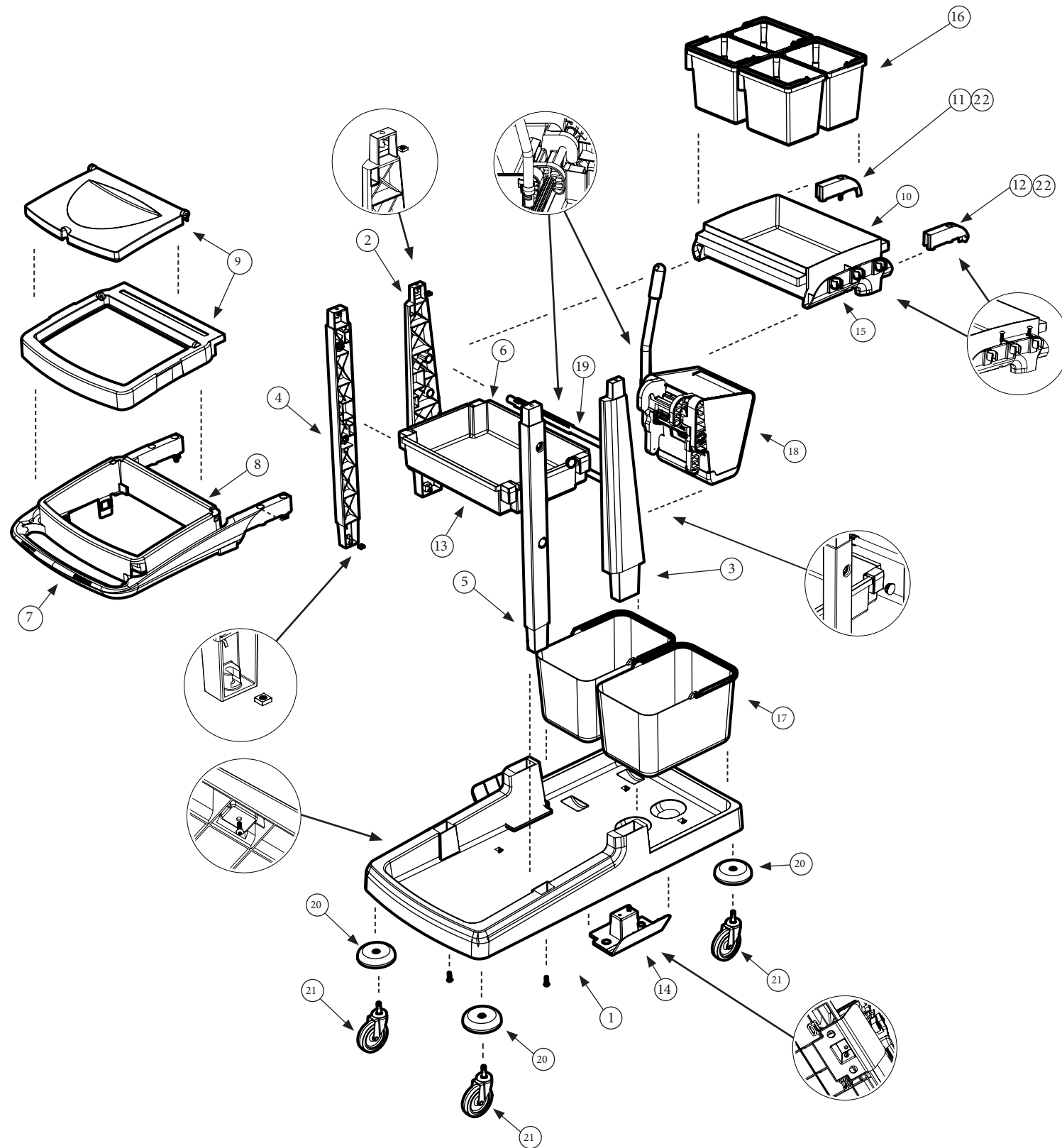


Exploded Spare EcoMatic EM-3 (France)



Number	Description	Part Number	Quantity
1	Ecomatic black base printed numatic reflo - long	909997	1
2	Front left hand black reflo upright assembly with nut & bolt fitted	910699 <i>(vendus uniquement en kit)</i>	1
3	Front right hand black reflo upright assembly with nut & bolt fitted		1
4	Rear left hand black reflo upright assembly with nut & bolt fitted		1
5	Rear right hand black reflo upright assembly with nut & bolt fitted		1
6	Door hole plug graphite		902984
7	Ecomatic bag frame black reflo	909358	1
8	bags securing frame black reflo	909187	1
9	Lid blue	909362	1
10	Top tray black reflo with nuts & bolts fitted	909357	1
11	Black reflo left hand cover	910729	1
12	Black reflo right hand cover	910732	1
13	Ecomatic tray black reflo	909359	1
14	Mop stand moulding	910364	2
15	22mm Mid mop clamp moulding (black)	223629	4
16	5L Swing bucket (Grey)	223565	4
17	17L Litre bucket (Grey)	905124	1
18	Vertical black reflo press (Front diverter) with foam & vertical painted handle	910530	1
19	19mm OD x 14G x 0.51 Press support tube painted silver	909361	2
20	Buffer Grey	909367	4
21	4 Inch stem fitting castor	911354	4
22	M8 x 25mm LG.Socket bolt Z/PL	219555	2
23	Nut M8 Plain Z/PL	219079	-
24	120-Litre grey waste bags (roll of 10 - 700mm x 1100mm) - Optional	908229	1

Revision	A01
Part Number	912043



Numatic International Limited, Chard, Somerset, TA20 2GB
 Telephone: 01460 68600
 Fax: 01460 68458

UNITED KINGDOM: www.numatic.co.uk
 NETHERLANDS: www.numatic.nl
 PORTUGAL: www.numatic.pt

GERMANY: www.numatic.de
 SWITZERLAND: www.numatic.ch
 SPAIN: www.numatic.es

FRANCE: www.numatic.fr
 SOUTH AFRICA: www.numatic.co.za

www.numatic.co.uk

Specification subject to change without prior notice
www.numatic.co.uk © Numatic International Limited