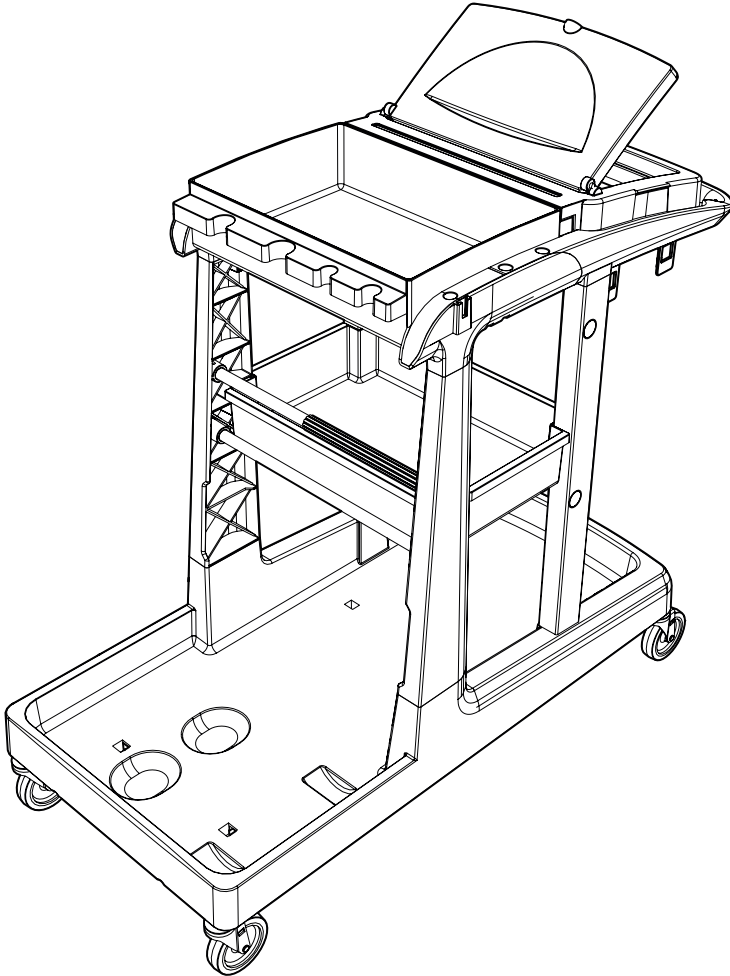


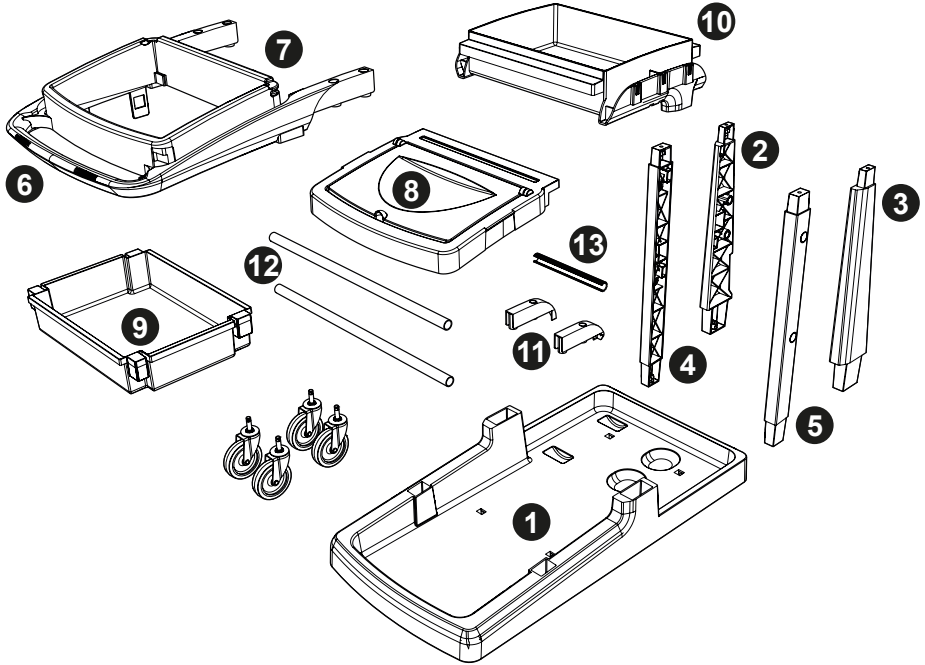
# EcoMatic EM-3

## Trolley Assembly



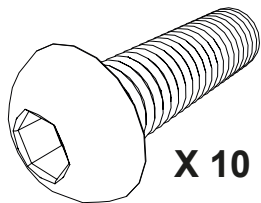


0.25 HR

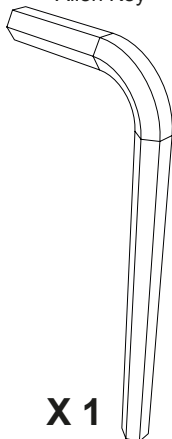


Item	Description	Qty
1	Ecomatic long reflo base	1
2	Rear right hand reflo upright	1
3	Rear left hand reflo upright	1
4	Front right hand reflo upright	1
5	Front left hand reflo upright	1
6	Reflo bag frame	1
7	Reflo bag securing frame	1
8	Lid moulding	1
9	Reflo tray	1
10	Reflo top tray	1
11	Ecomatic cover moulding	2
12	Press support tube	2
13	Mop tube profile	1

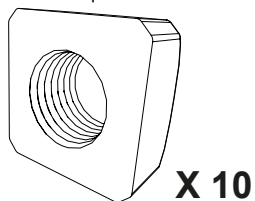
219555  
M8 25mm Socket Bolt



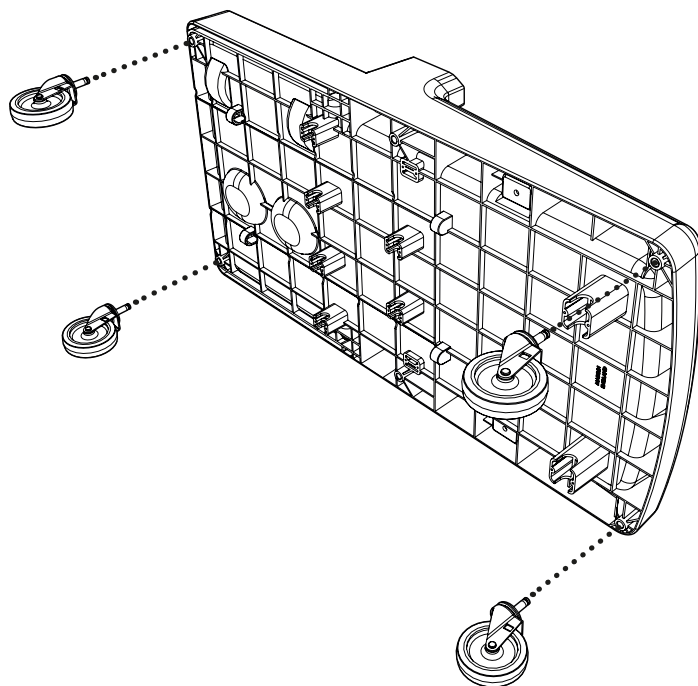
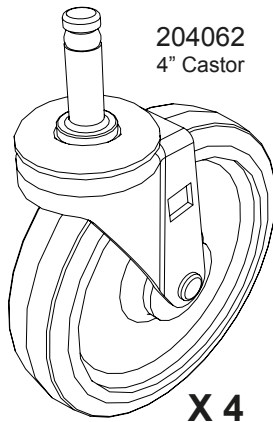
219554  
Allen Key



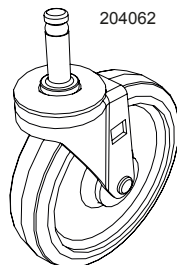
909372  
M8 Square Nut



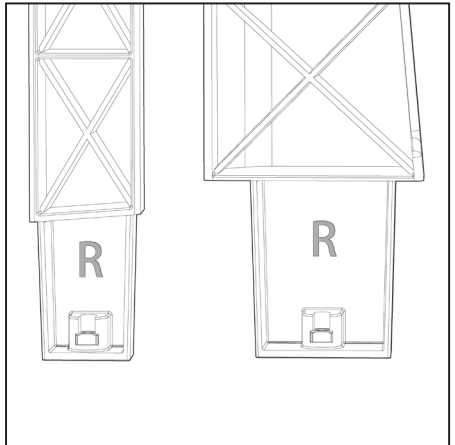
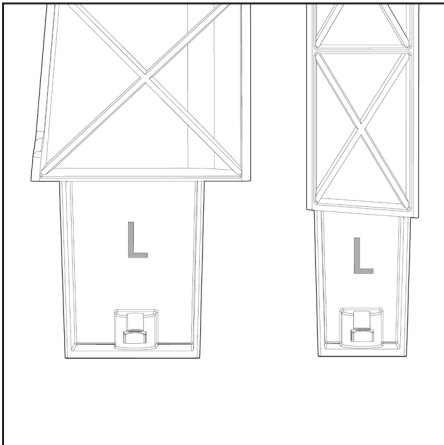
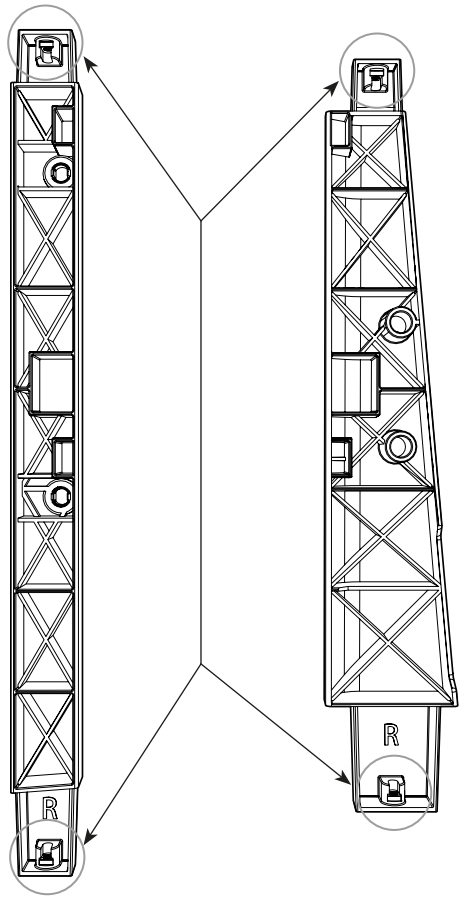
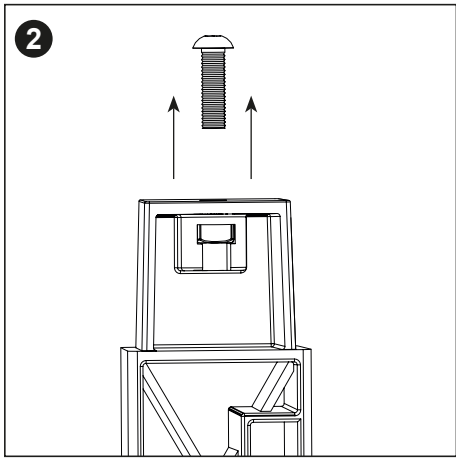
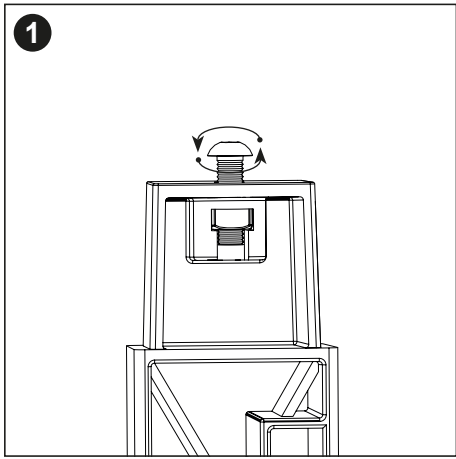
204062  
4" Castor

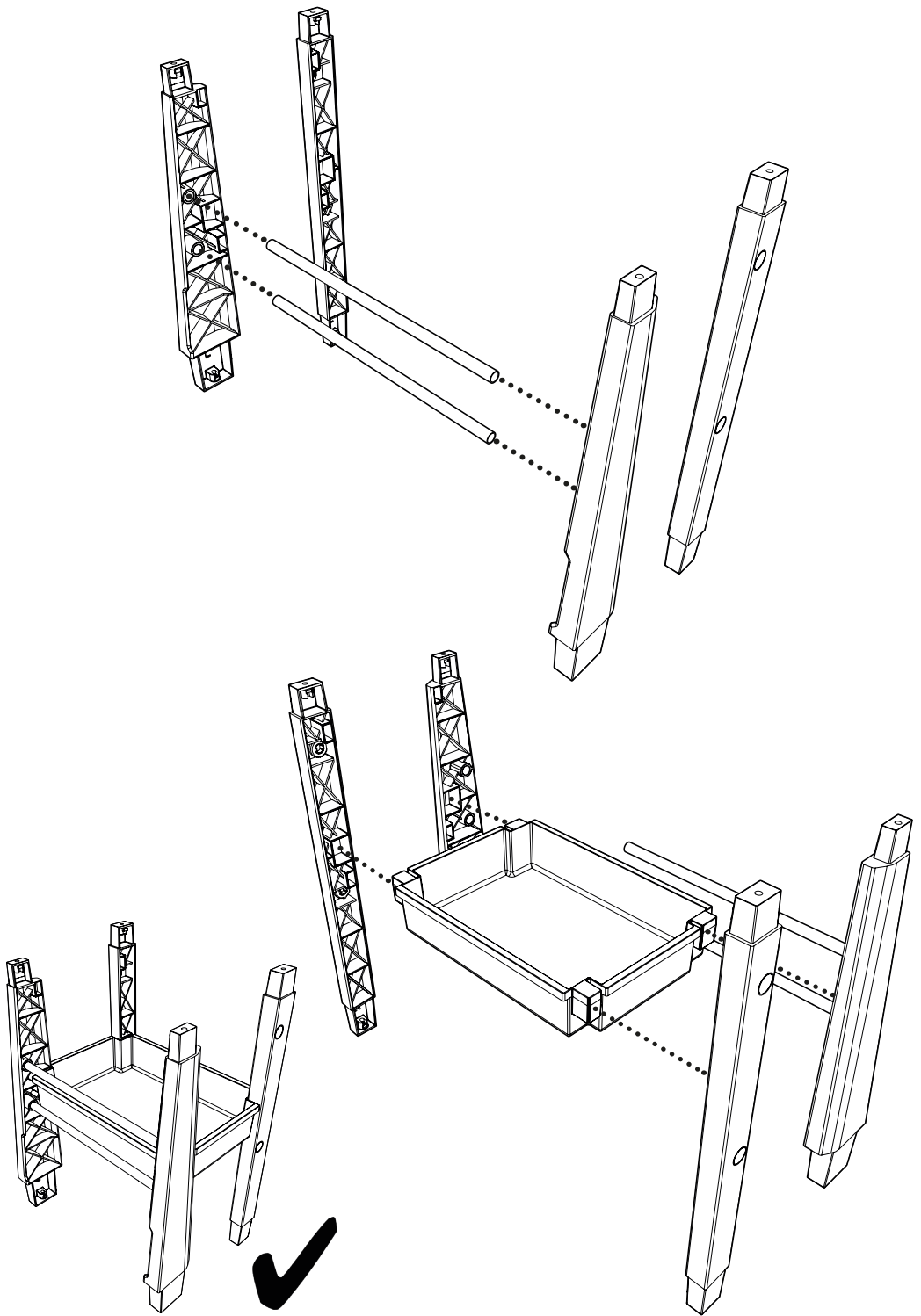


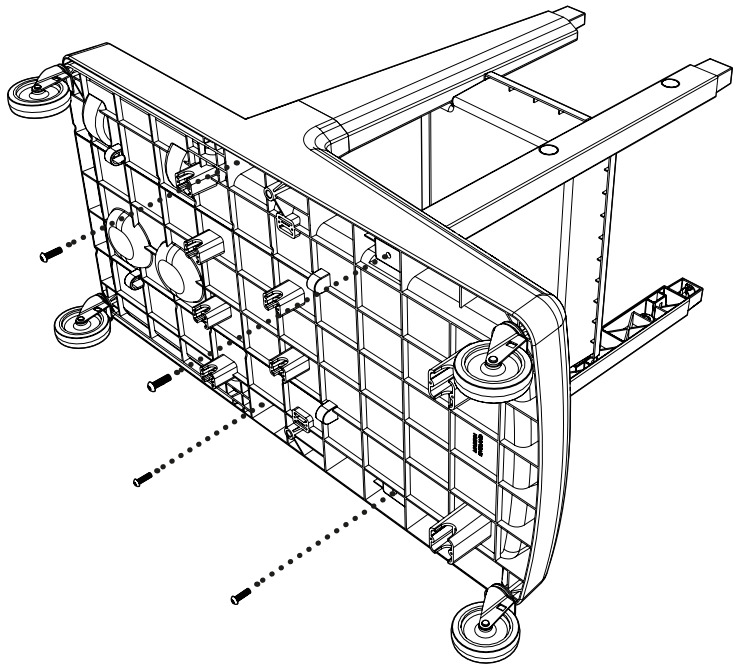
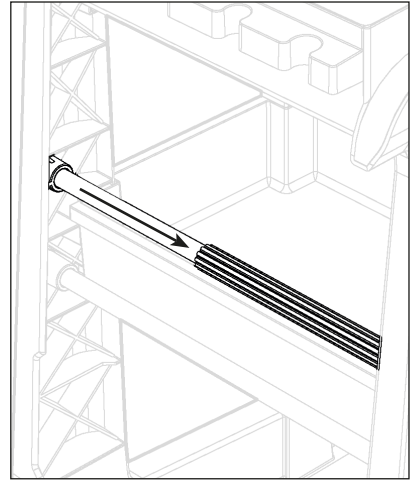
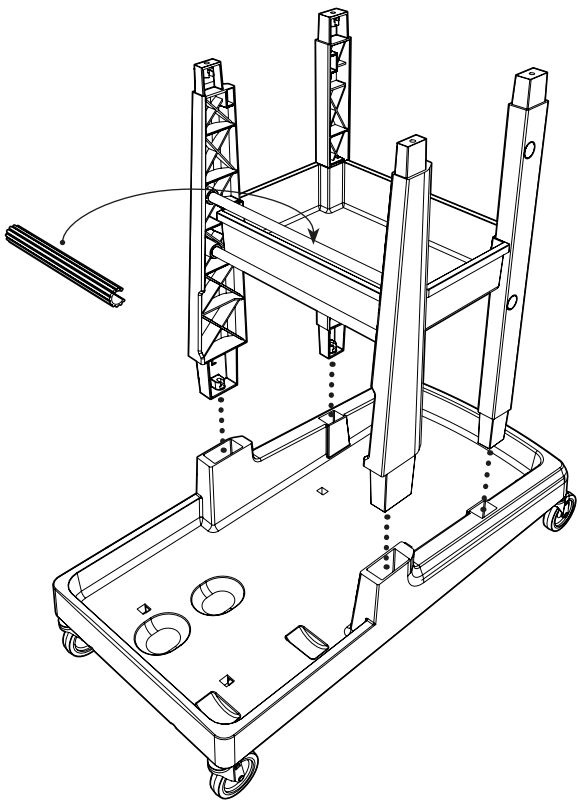
204062

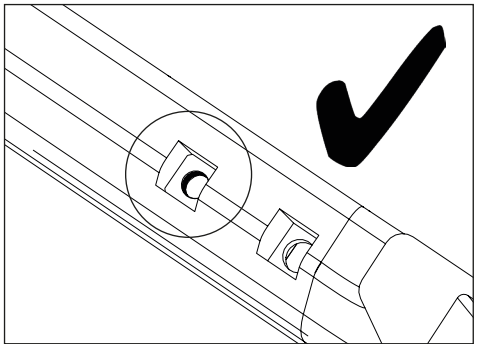
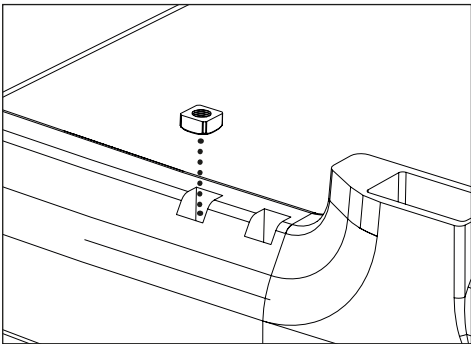
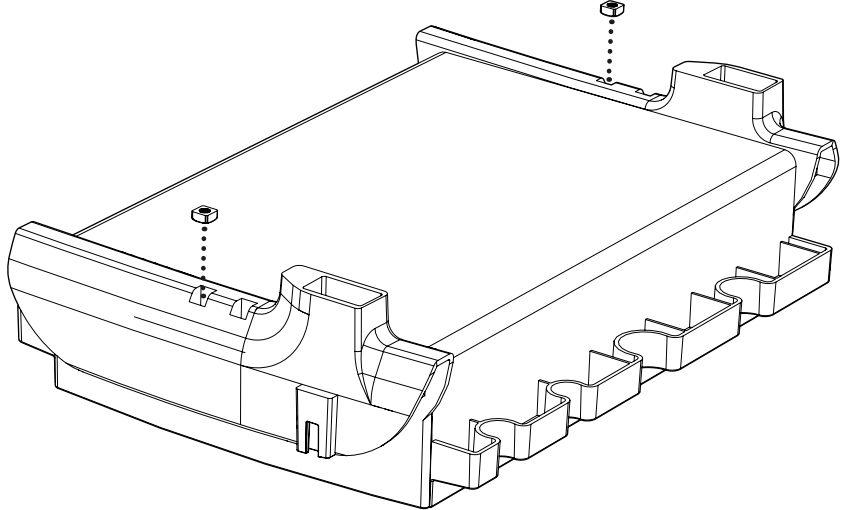
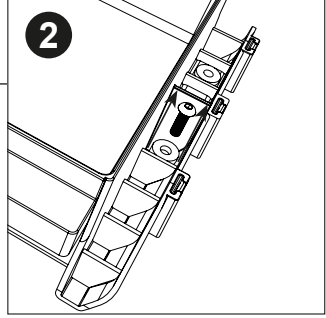
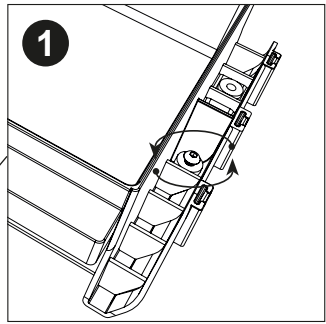
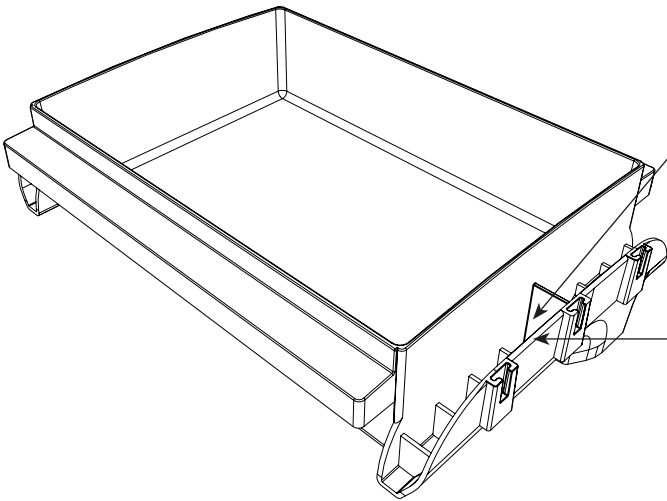


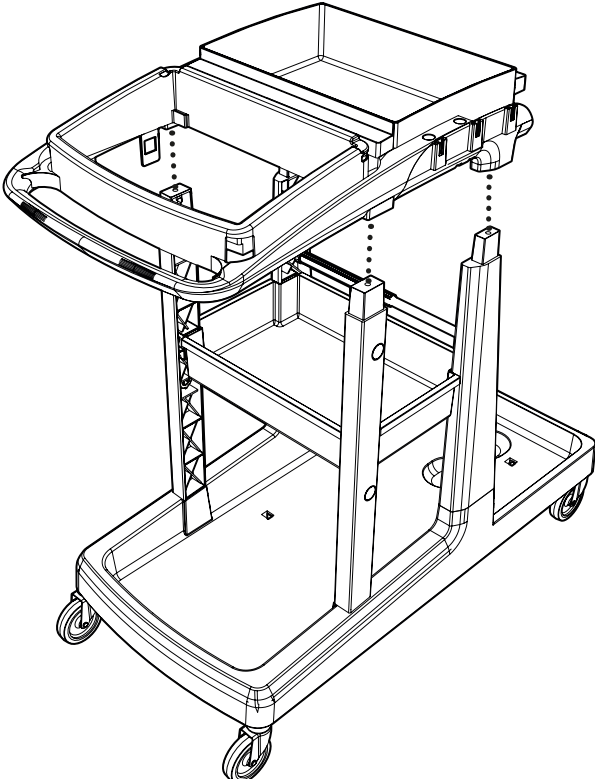
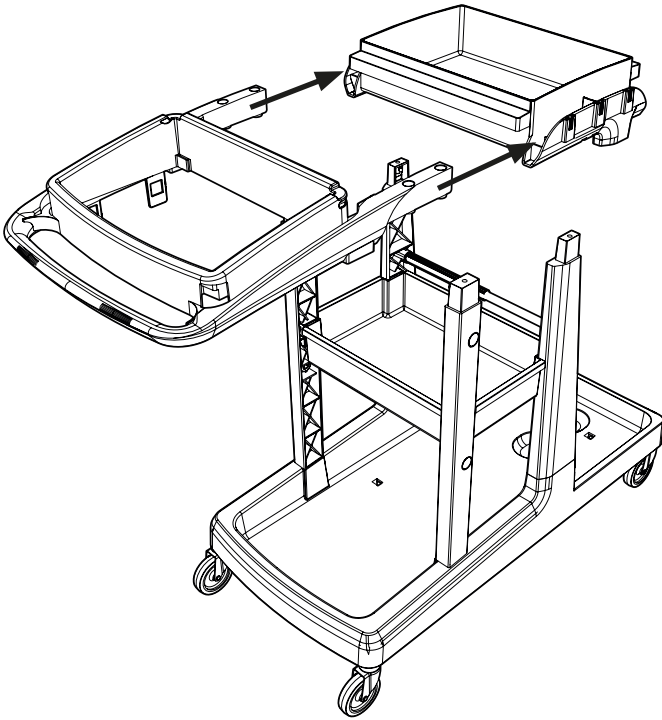
**X 4**



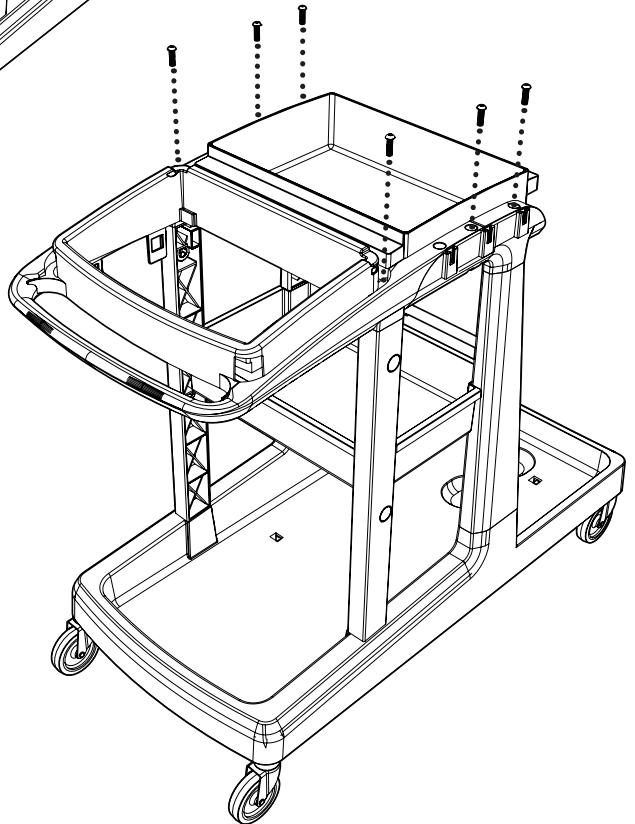
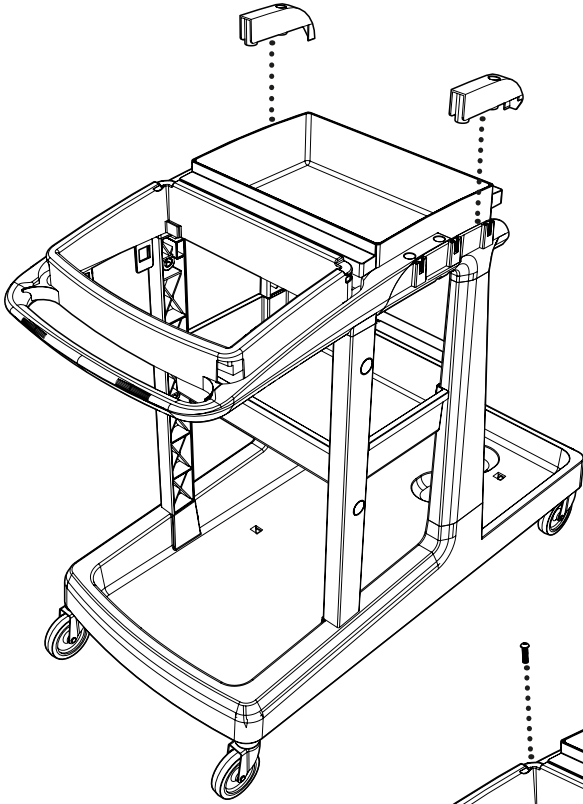


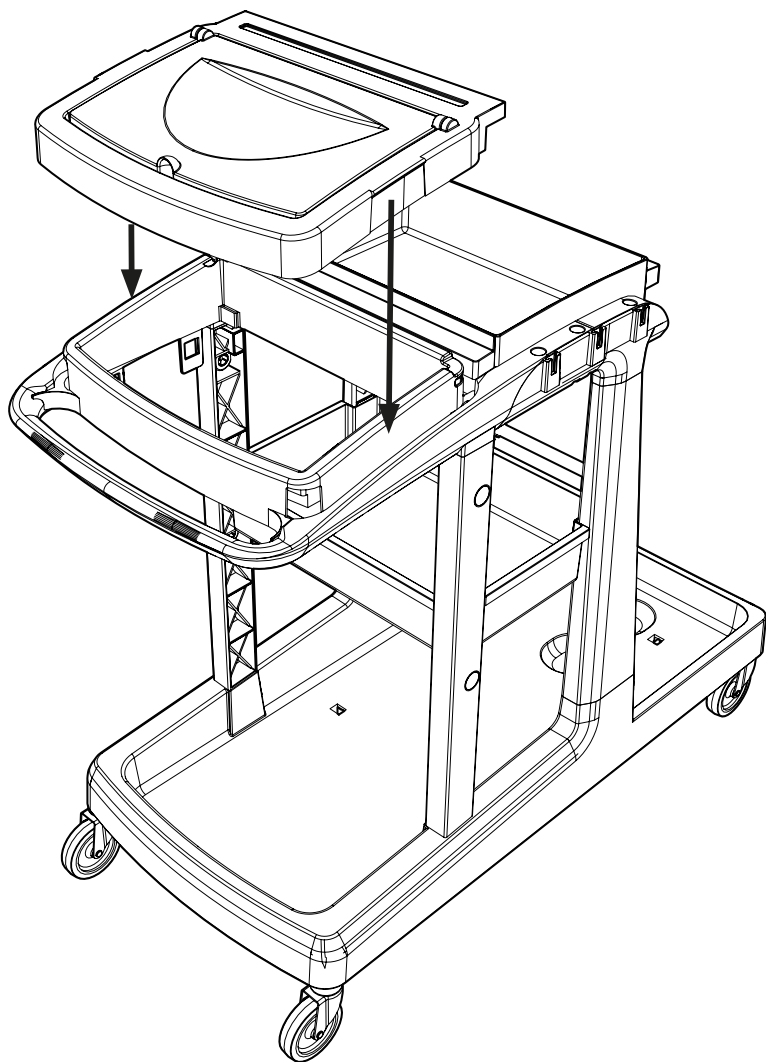














# EcoMatic EM-3 Trolley Assembly

