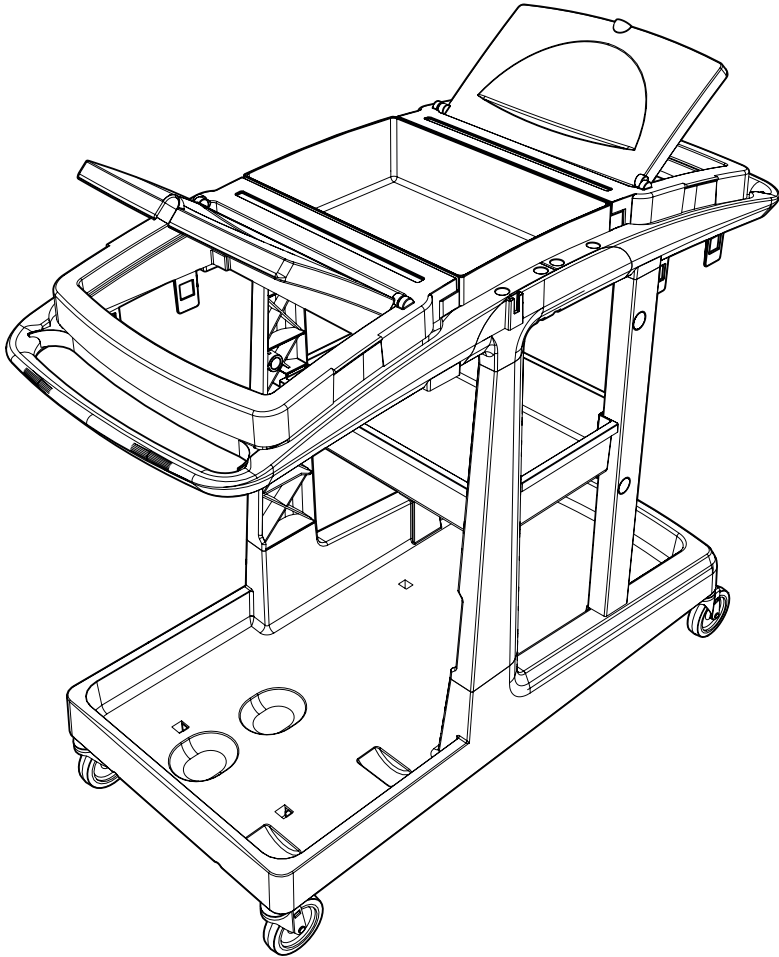
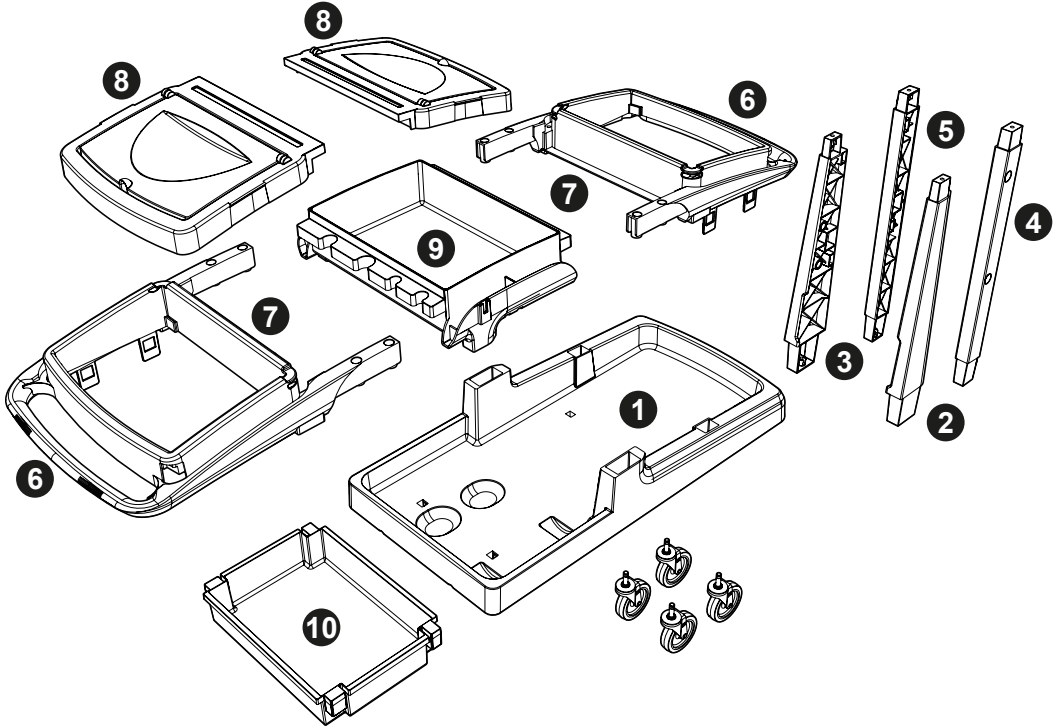


EcoMatic EM-4 Trolley Assembly



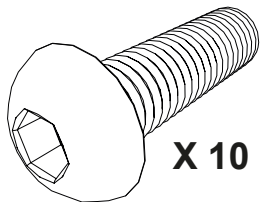


0.25 HR



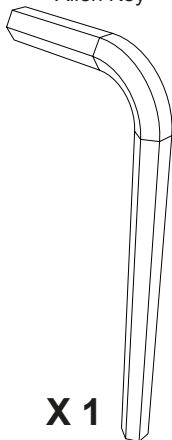
Item	Description	Qty
1	Ecomatic long reflo base	1
2	Rear right hand reflo upright	1
3	Rear left hand reflo upright	1
4	Front right hand reflo upright	1
5	Front left hand reflo upright	1
6	Reflo bag frame	2
7	Reflo bag securing frame	2
8	Lid moulding	2
9	Reflo top tray	1
10	Ecomatic reflo tray	1

219555
M8 25mm Socket Bolt



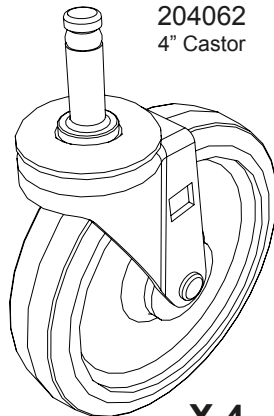
X 10

219554
Allen Key



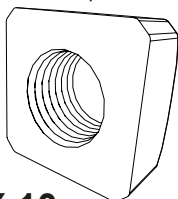
X 1

204062
4" Castor

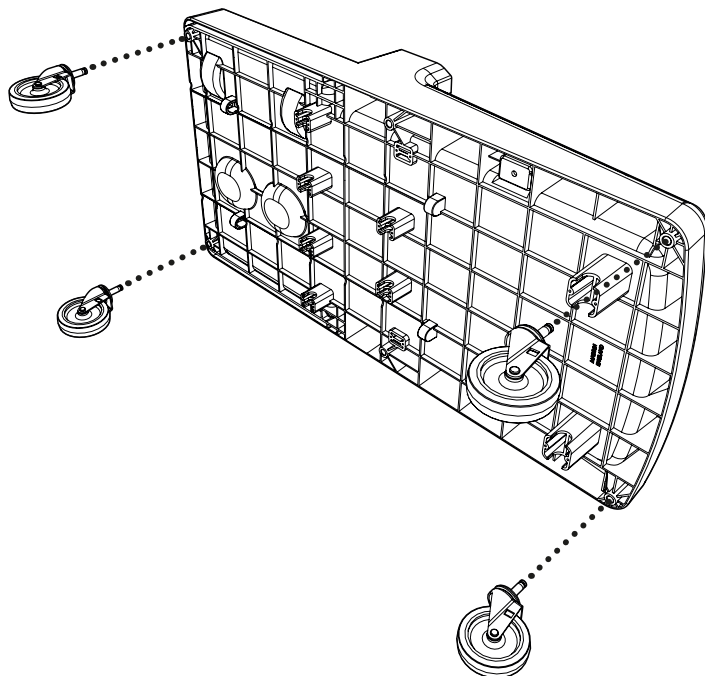


X 4

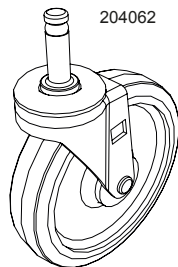
909372
M8 Square Nut



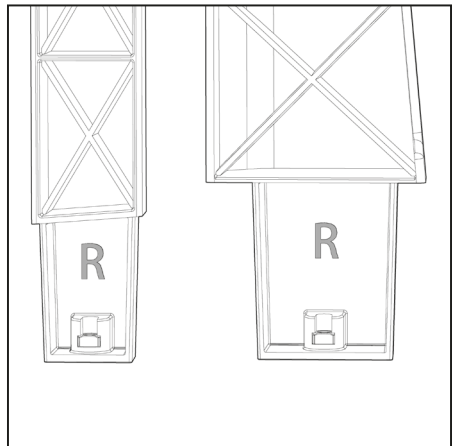
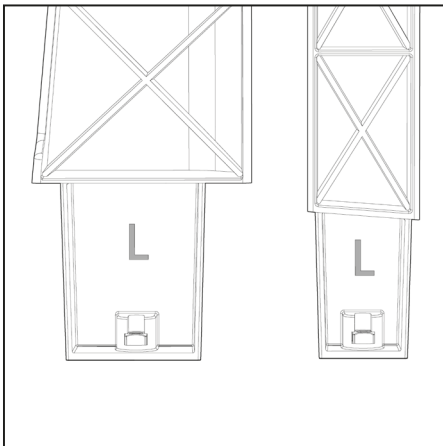
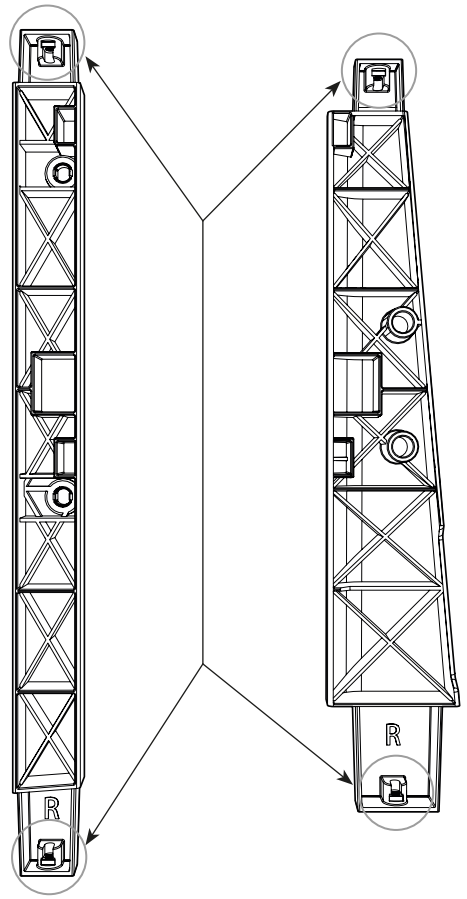
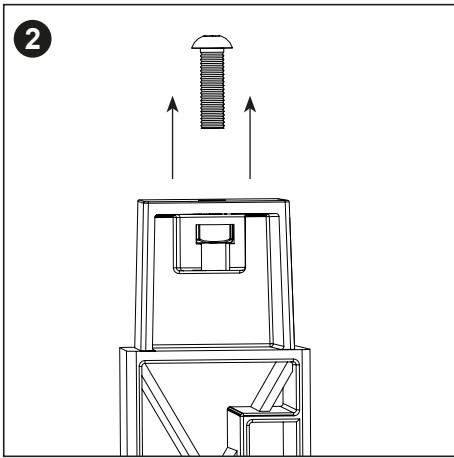
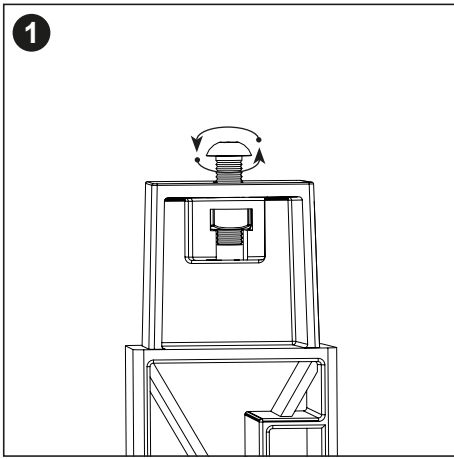
X 10

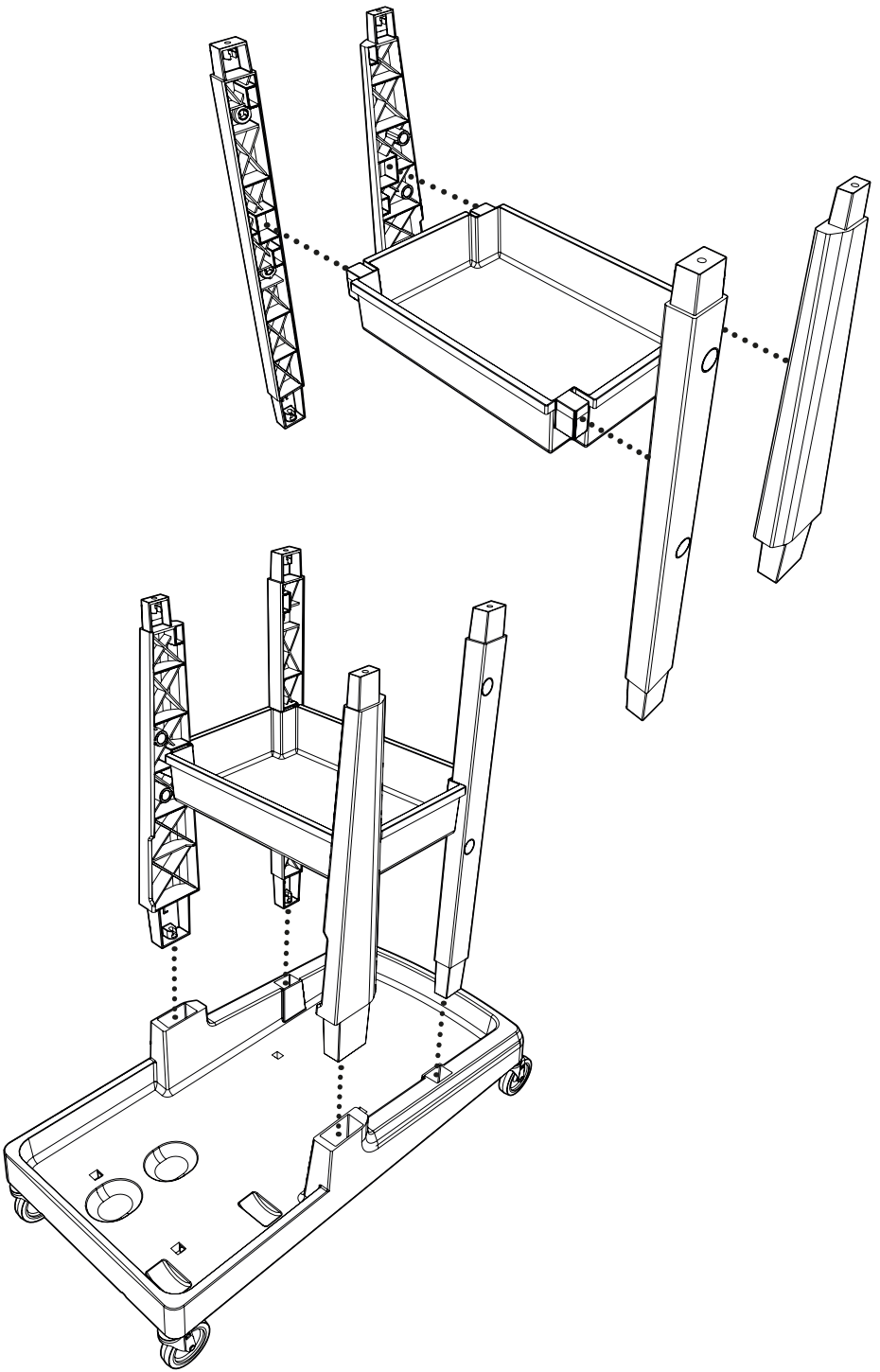


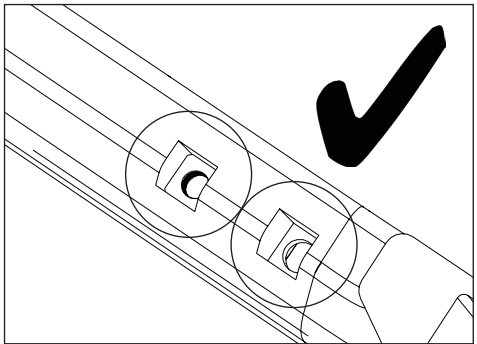
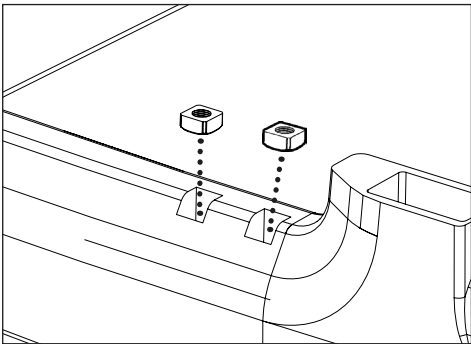
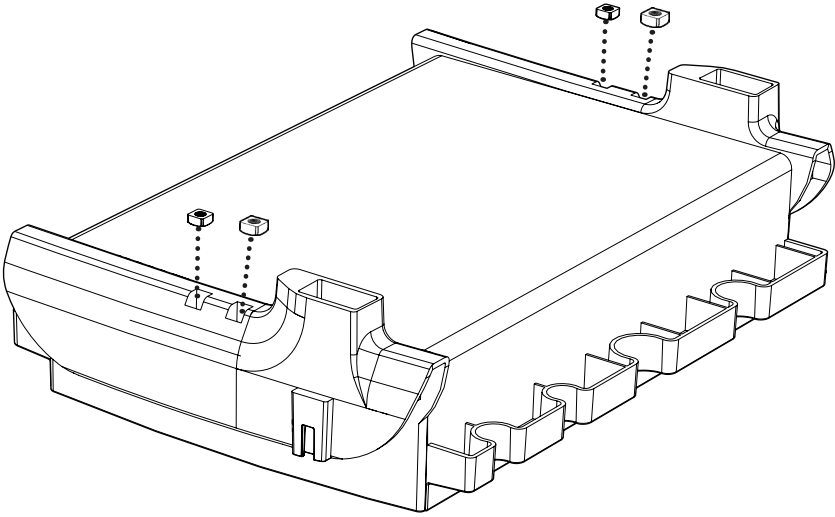
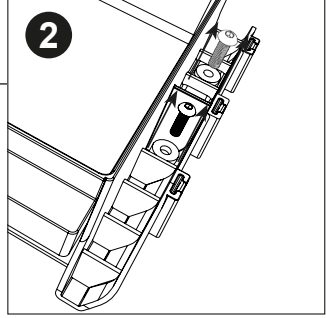
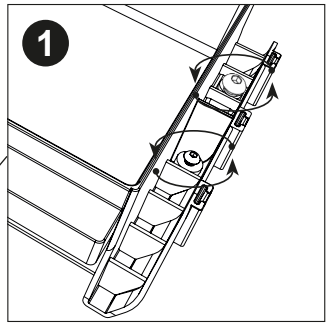
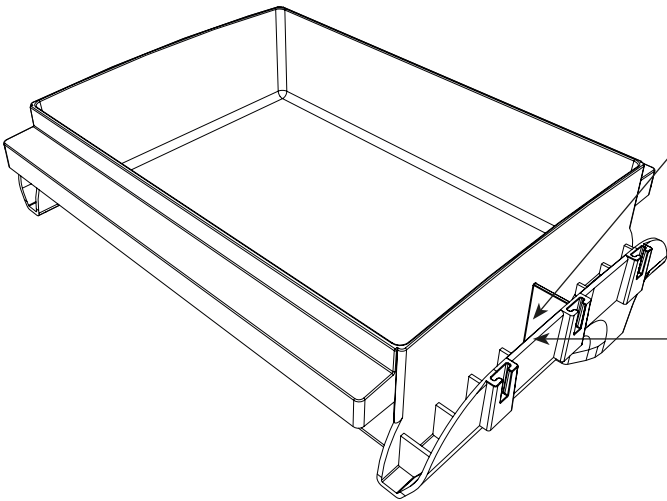
204062

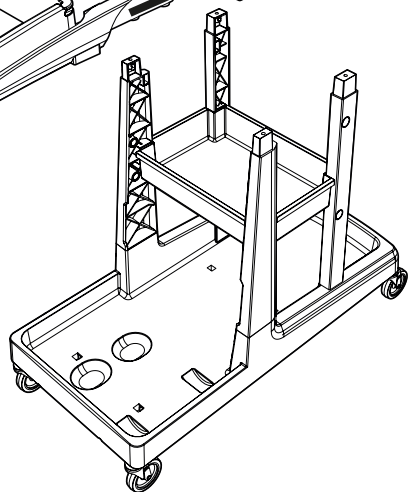
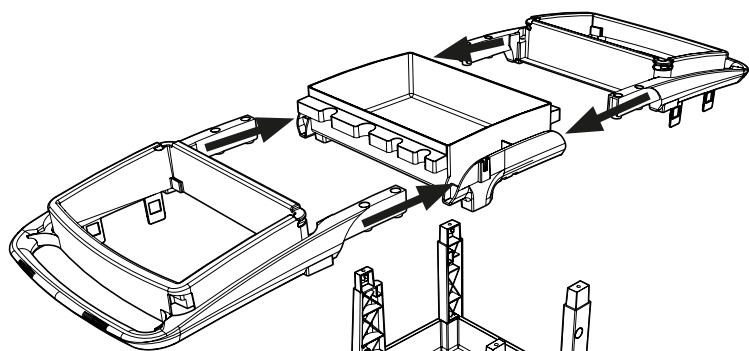
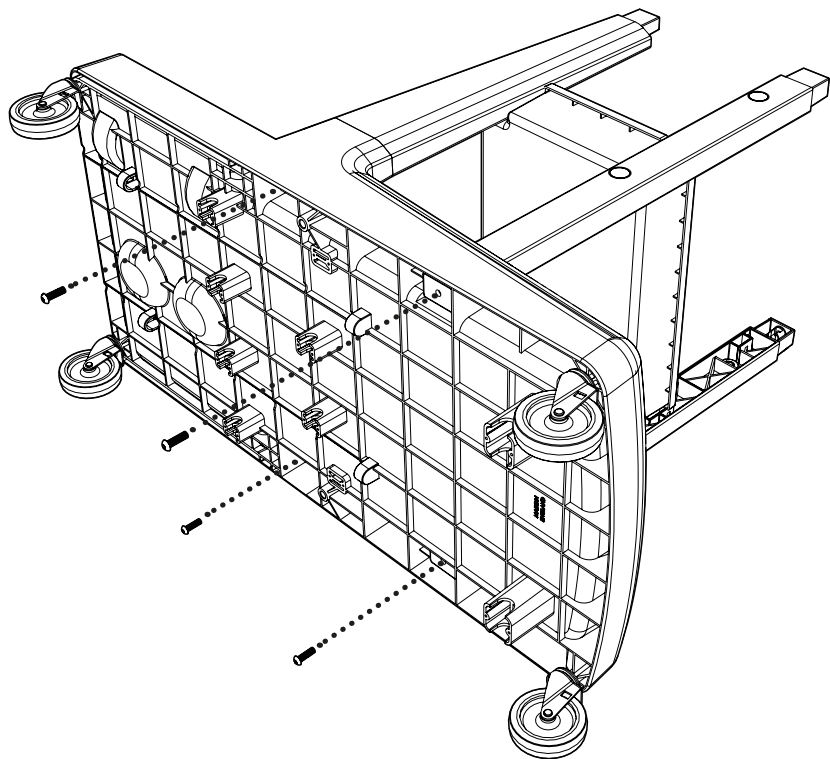


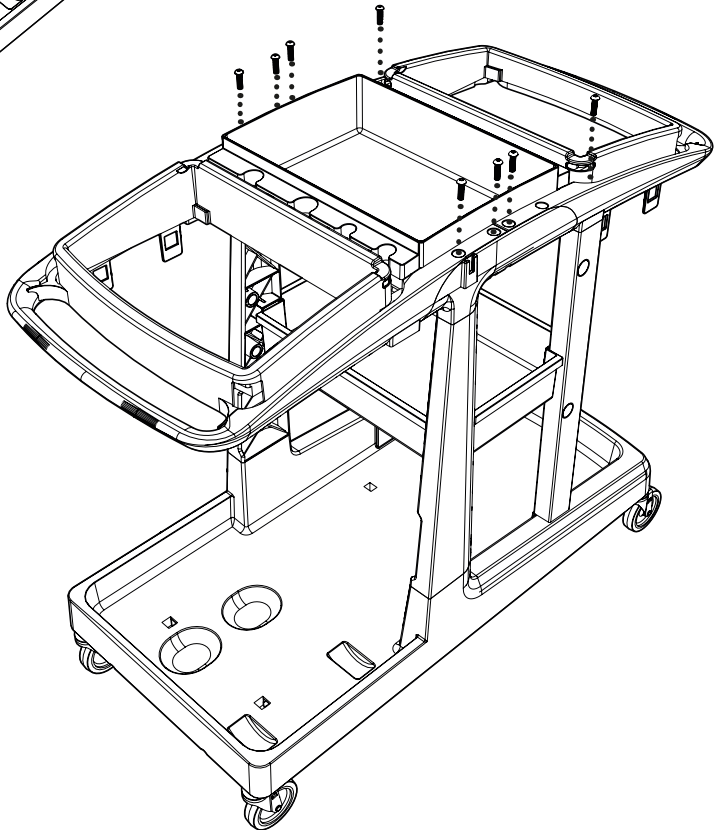
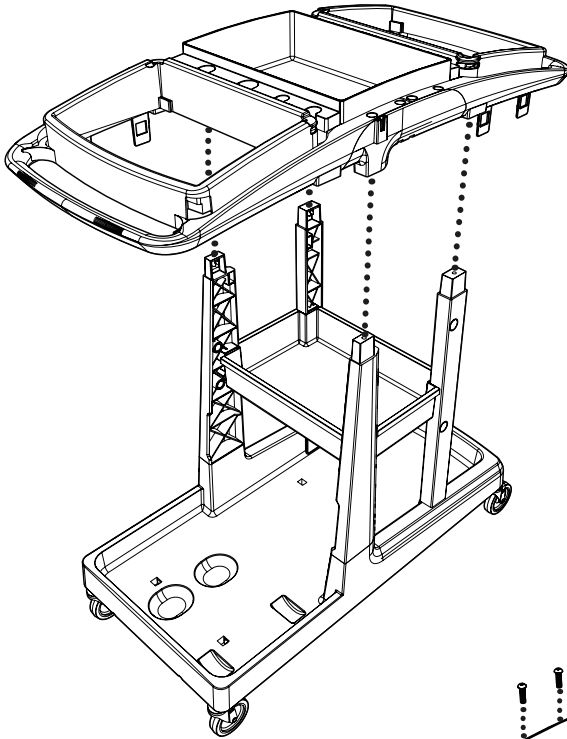
X 4

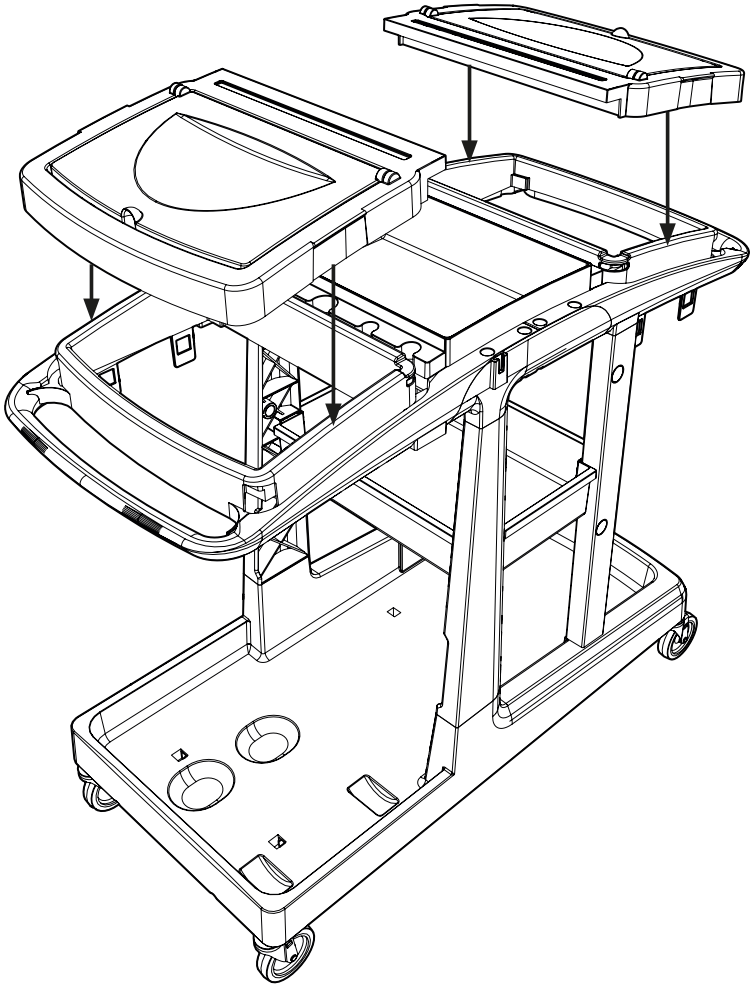












EcoMatic EM-4 Trolley Assembly

