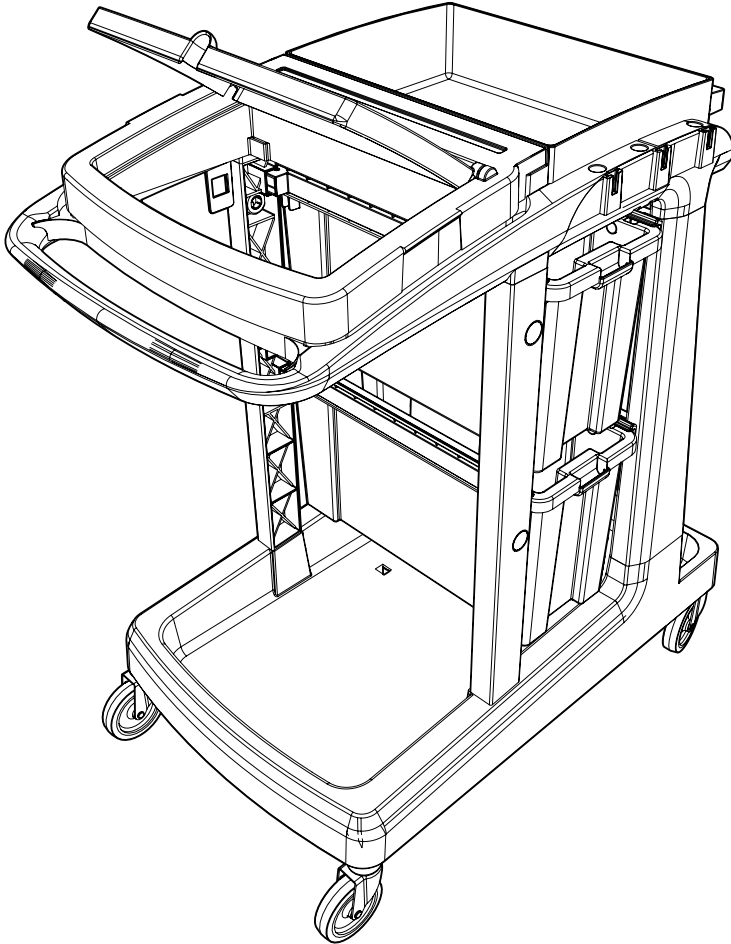


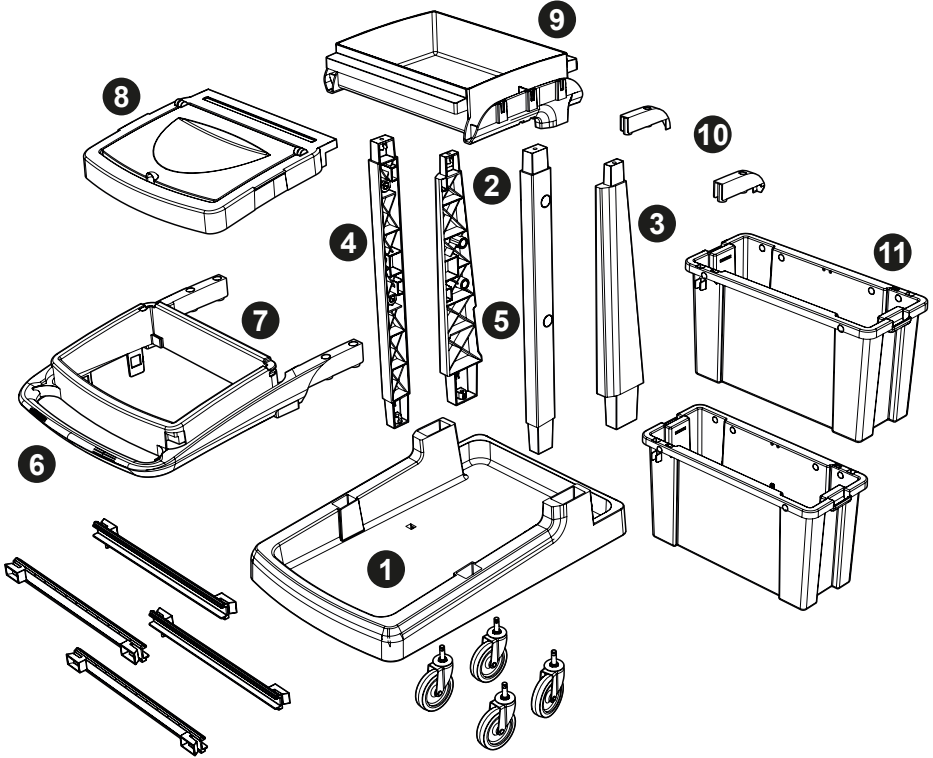
# EcoMatic EM-2

## Trolley Assembly



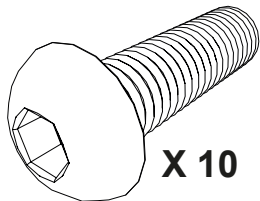


0.25 HR

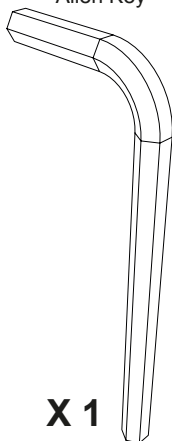


Item	Description	Qty
1	Ecomatic short reflo base	1
2	Rear right hand reflo upright	1
3	Rear left hand reflo upright	1
4	Front right hand reflo upright	1
5	Front left hand reflo upright	1
6	Reflo bag frame	1
7	Reflo bag securing frame	1
8	Lid moulding	1
9	Reflo tray	1
10	Ecomatic cover moulding	2
11	Narrow reflo storage box	2

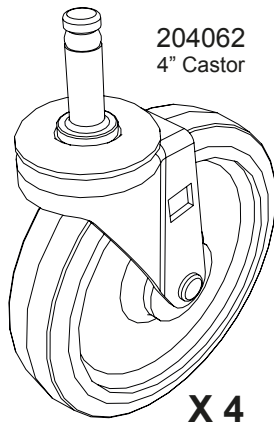
219555  
M8 25mm Socket Bolt



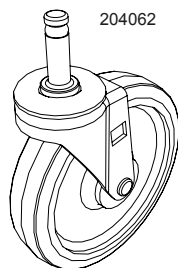
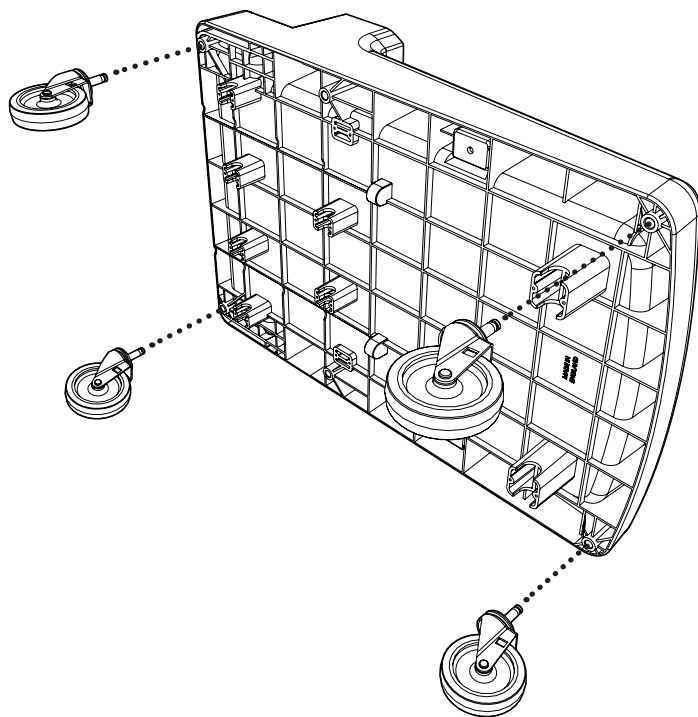
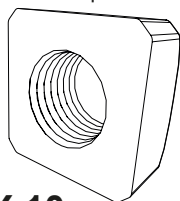
219554  
Allen Key



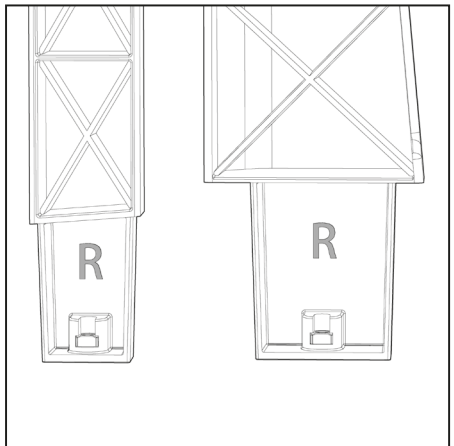
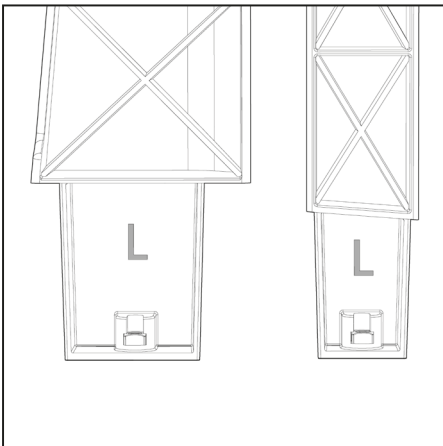
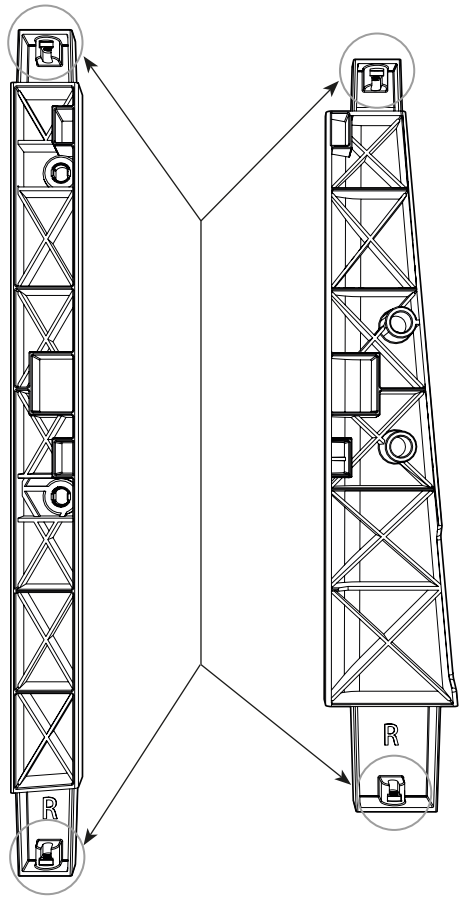
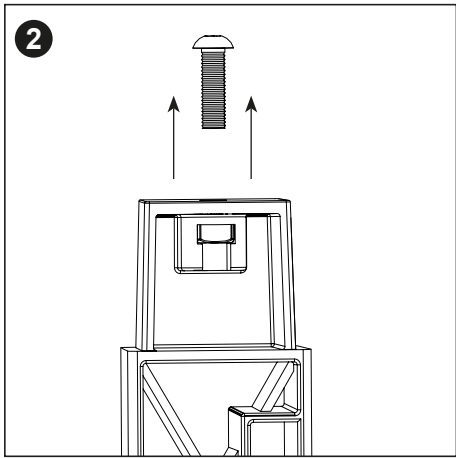
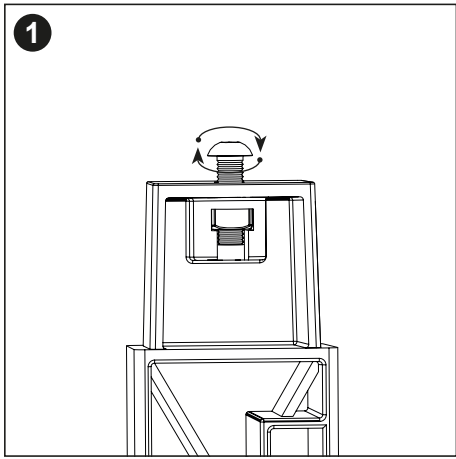
204062  
4" Castor

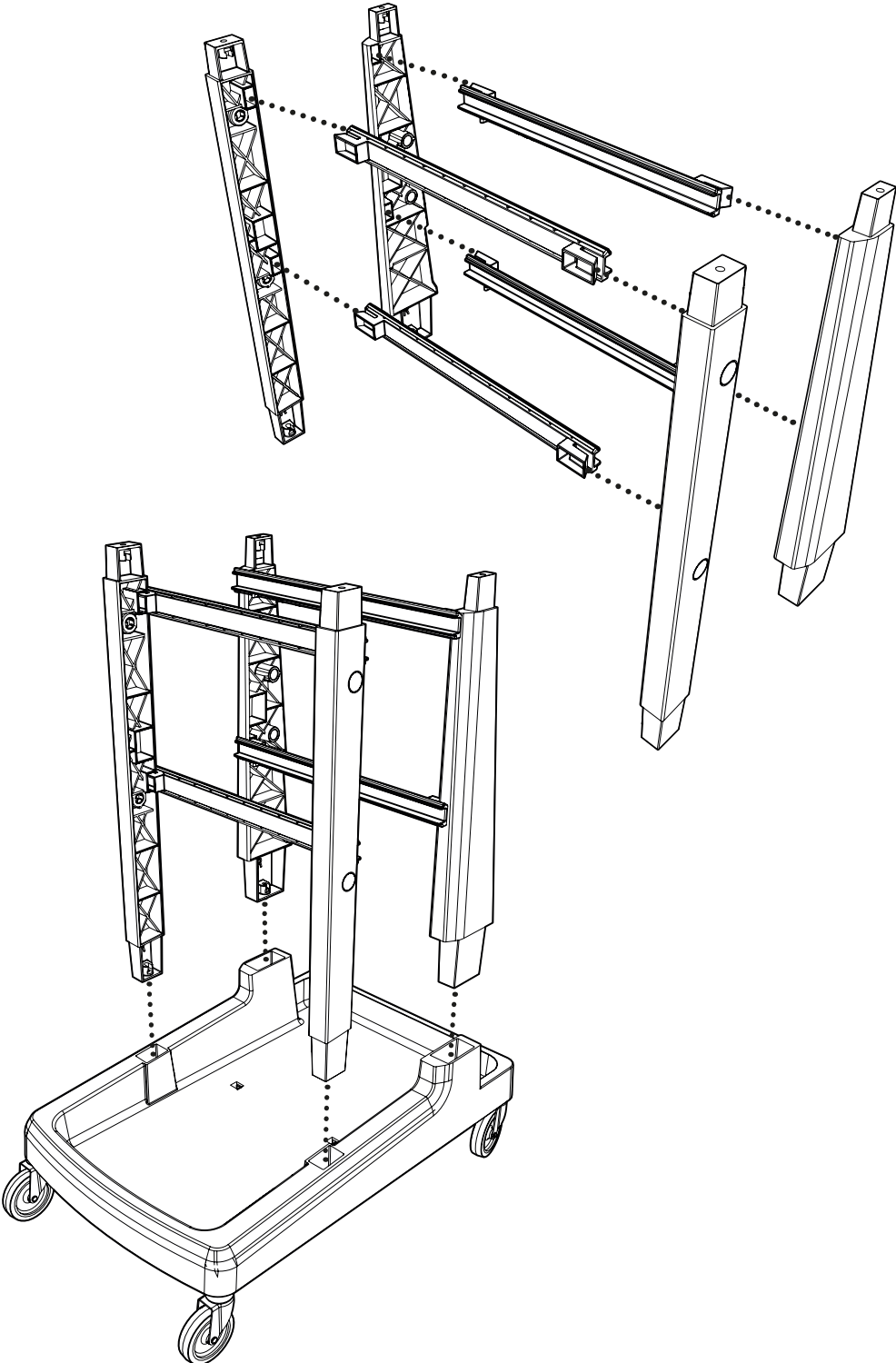


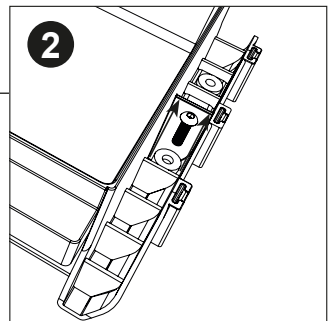
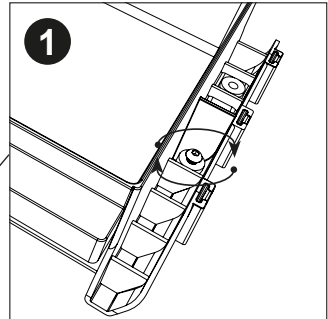
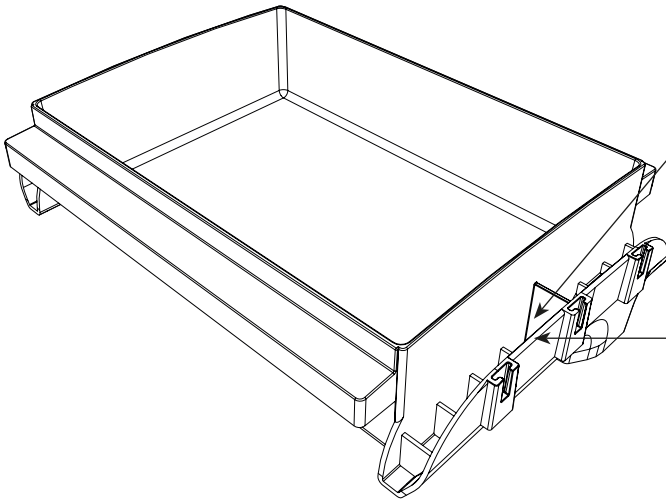
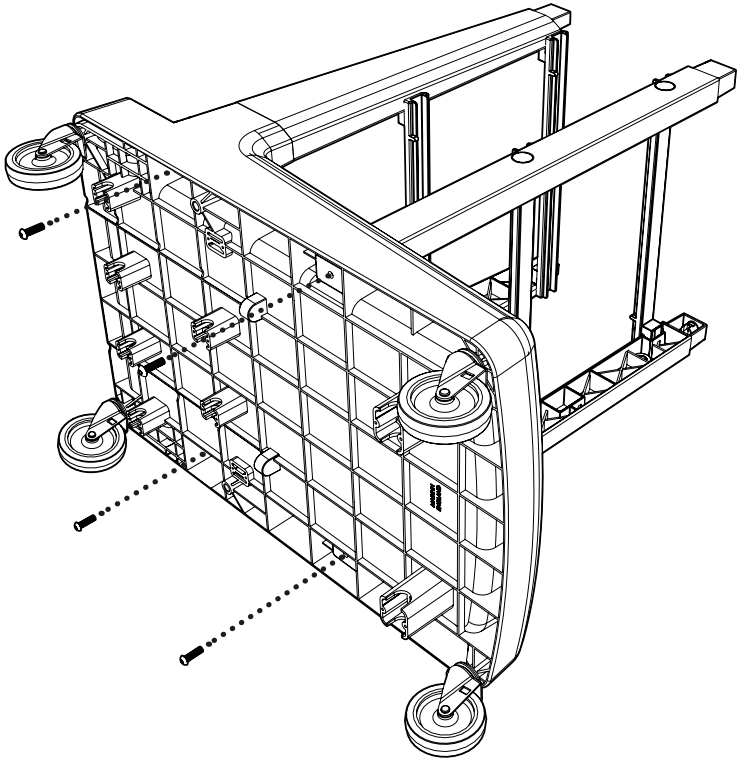
909372  
M8 Square Nut

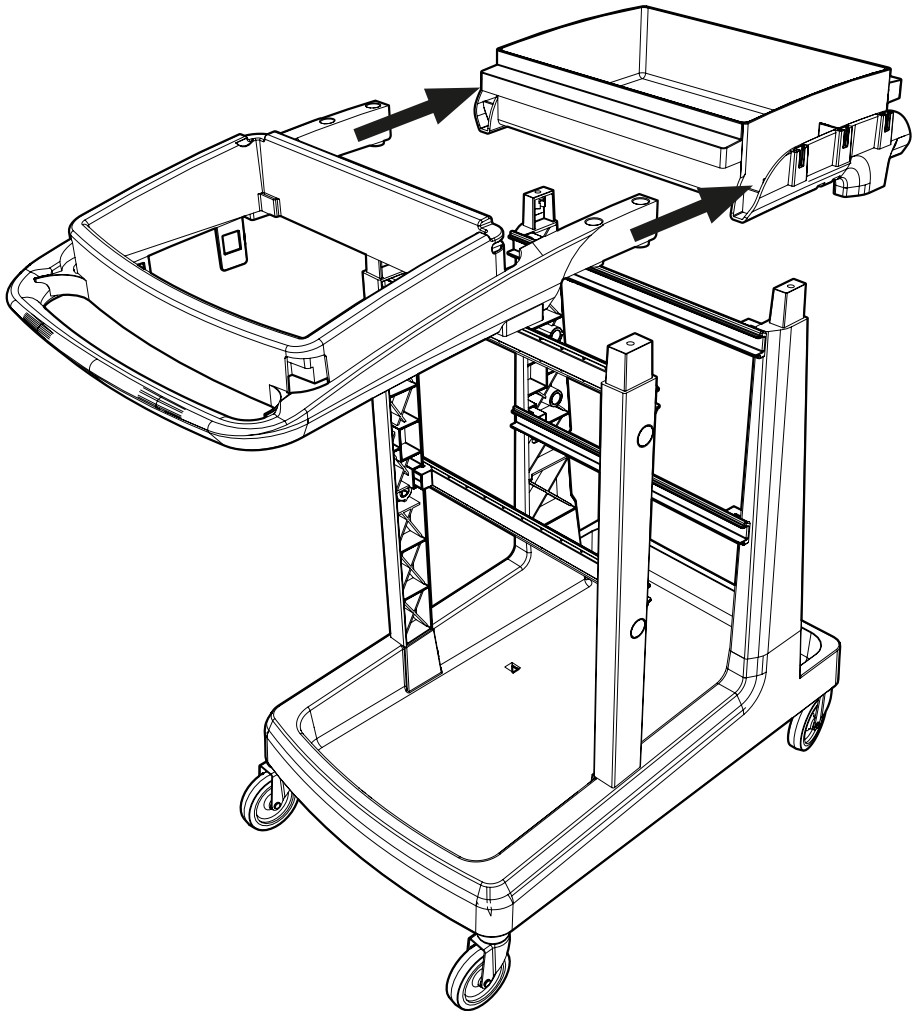
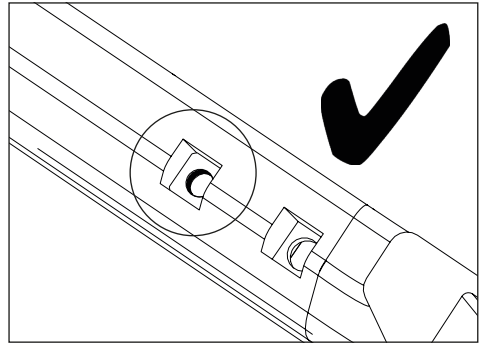
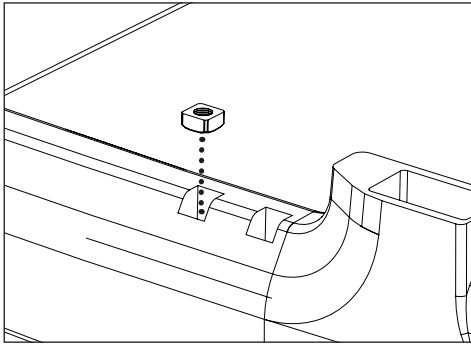


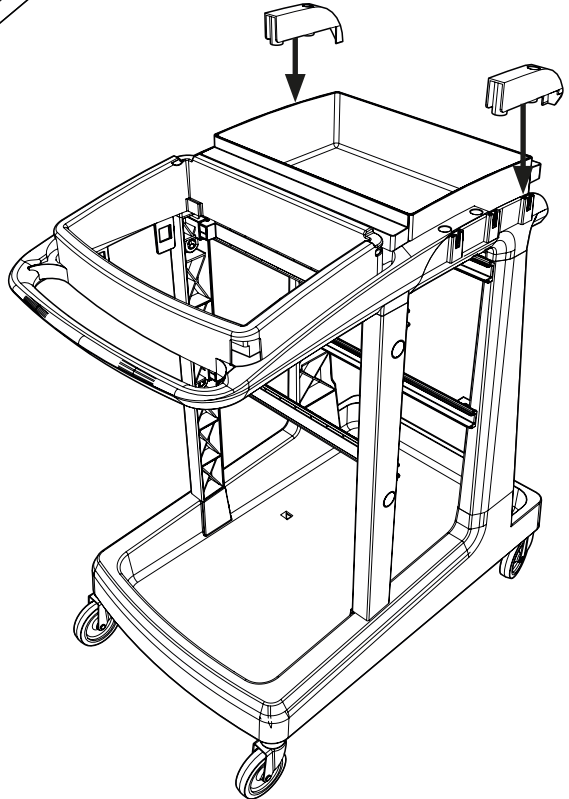
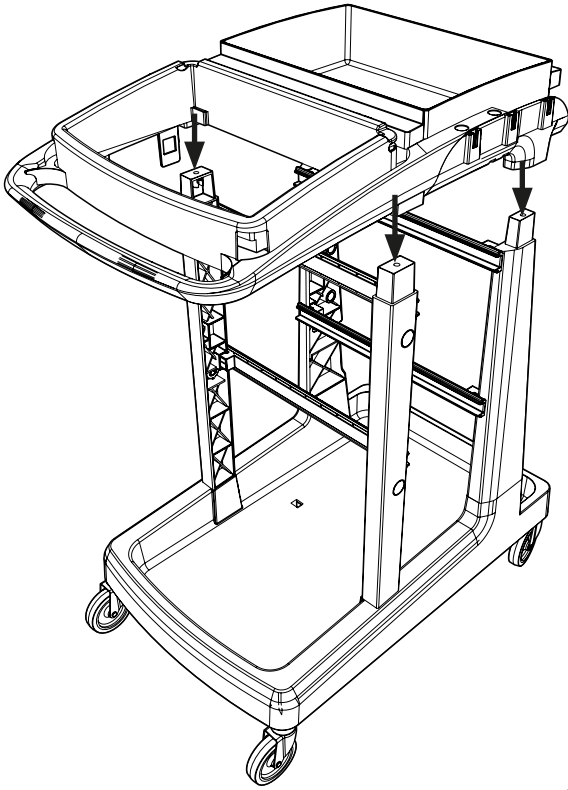
X 4



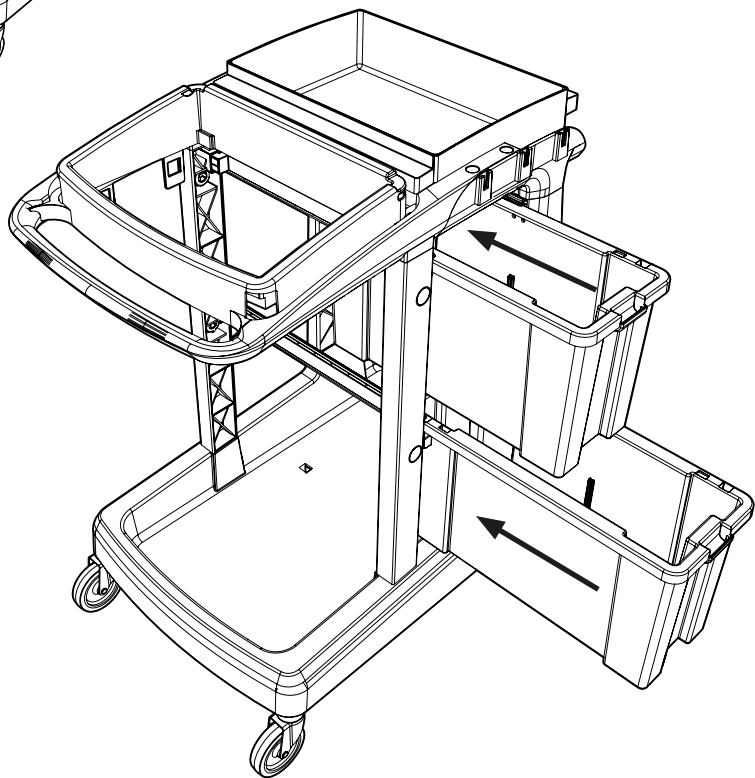
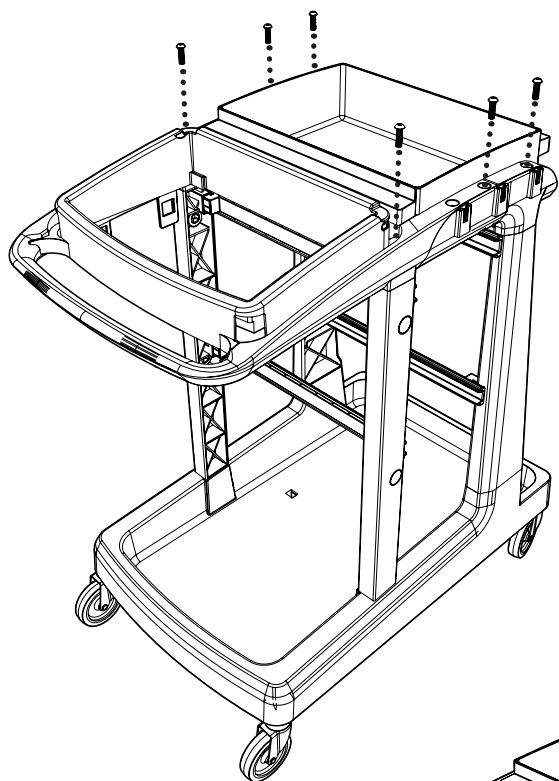


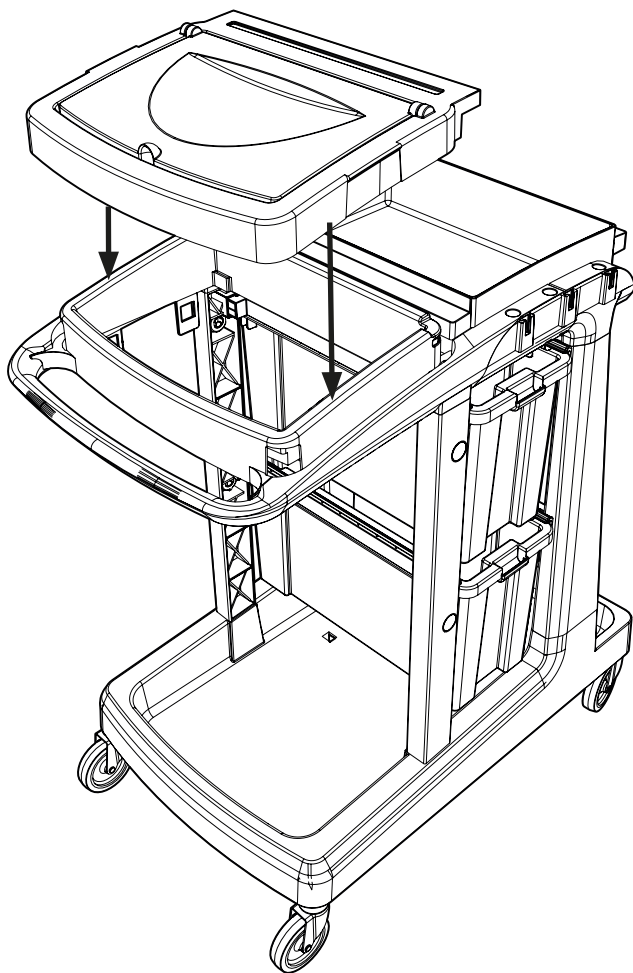














# EcoMatic EM-2 Trolley Assembly

