

ATTENTION :

FIDEL FILLAUD garantit au client la fonctionnalité des éléments constituant l'emballage vendu. Il appartient au client d'en vérifier la compatibilité physique et chimique avec ses produits dans les conditions usuelles de remplissage, stockage et transport. FIDEL FILLAUD ensures the functionality of the packaging components sold under our quality. It is the responsibility of the customer to check the physical and chemical compatibility with his products, in the usual conditions of filling, storage and transport.



PRODUCT DATA SHEET

Version 2

Review date: 05/02/2018

Fecha edición documento : 03/06/2021

Product No. AMOH0001LN11X1PU
Description BOTELLA DOSIF.1000 /50 CC.NAT D28
Material (H) POLYTHENE (LHPE)
Colour (N1) NATURAL

PRODUCT INFORMATION

TOLERANCES

Height	262,50	+/-	2,00 mm
Weight	90,00	+/-	2/2 gr
Min.Outer mouth diameter	27,10	+/-	0,30 mm
Min.Inner mouth diameter	20,80	+/-	0,30 mm
Min. Lip Height	15,40	+/-	0,30 mm
Min. Nominal Capacity	1.000,00		
Brimful volume	1.278,00		
Base width	62,00	+/-	1,00 mm
Base length	133,80	+/-	2,00 mm



Additional Information Material HDPE HYA600 (EXXON MOBIL)

Quality and Environmental Department

Repli, does not perform tests that ensure the suitability and safety of the container for each specific use. It is the responsibility of the client based on their own determinations and studies, to establish if the container is suitable for the specific use it intends to give it.

Consume preferably before 5 years from the delivery note date, under optimal storage conditions and keeping its original packaging

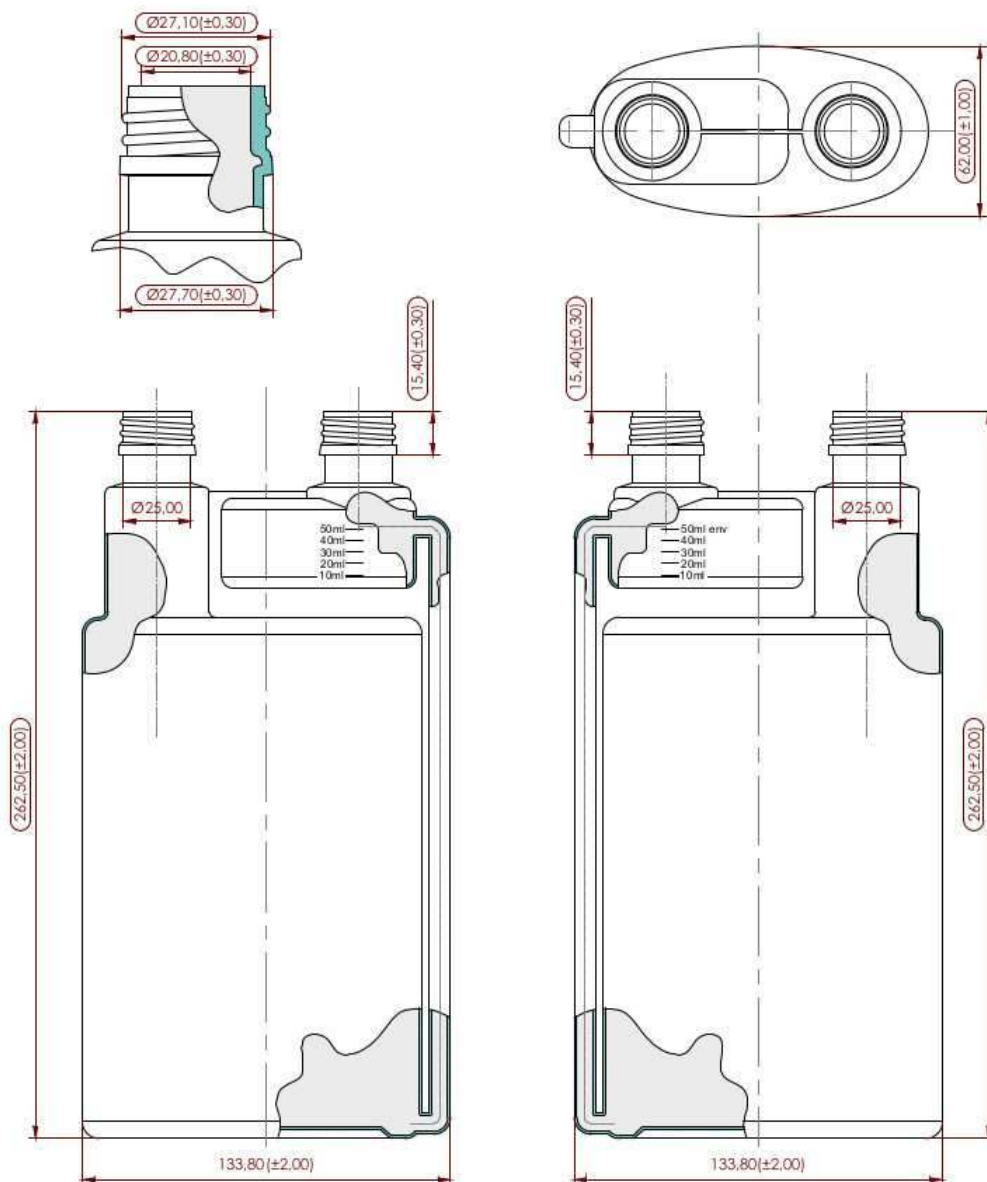


PRODUCT DRAWING

Version 2

Review date: 05/02/2018

Product No. AMOH0001LN11X1PU
Description BOTELLA DOSIF.1000 /50 CC.NAT D28





LOGISTICS DATA

Product No. AMOH0001LN11X1PU
Description BOTELLA DOSIF.1000 /50 CC.NAT D28

Fecha edición documento :03/06/2021

Code	Qty. per Unit of Measure	Height (cm)	Length (cm)	Width (cm)	Cubage (cm3)	Weight	Type of pallet	Boxes Per Layer	Number of boxes per pallet	Number of boxes per pallet
UNITS	1				2.455,56	90 Gr				
BOX	72	52	79	39	160.212	6,48 Kg				
PALLET	864	221	120	80	2.121.600	77,76 Kg	E	3	12	4