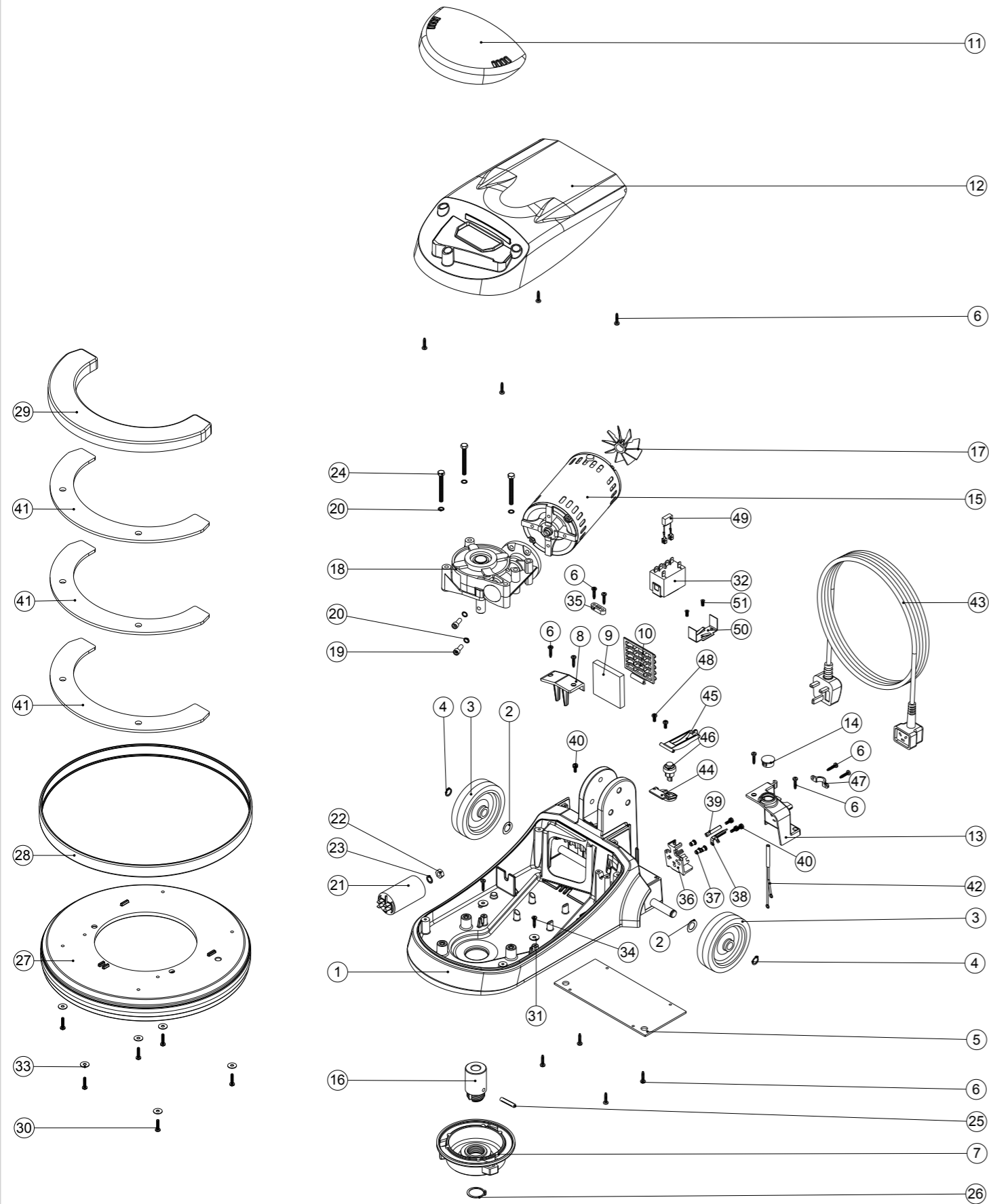


# Numatic International Spare Parts

## Model No: NLL332 / NLL415 BASE

NB: FOR WIRING SEE DRAWING: WD-0341

234454  
DRAWING: EXP-0885 ISS:A05  
21/03/2007



# Numatic International Spare Parts

## Model No: NLL332 / NLL415 BASE

POS:	ITEM NO:	DESCRIPTION:	COMMENTS:
1	304235	BASE ASSEMBLY	
2	219891	13MM WAVEY WASHER	
3	329112	100MM WHEEL	
4	219345	12MM EXTERNAL CIRCLIP	
5	304236	BASE PLATE	
6	219914	NO6 X 5/8 INCH LONG POZI-PAN PLASTITE STAINLESS STEEL SCREW	
7	230207	CHUCK	
8	229667	FILTER COVER TOP	
9	329522	FILTER	
10	229668	FILTER COVER	
11	229663	LOLINE CAP MOULDING GREY	
12	328113	NLL332 LID MOULDING PRINTED	
	328114	NLL415 LID MOULDING PRINTED	415 MODEL
13	229674	10A INPUT COVER	
14	220967	LENS COVER	
15	205116	INDUCTION MOTOR 240/220V	
16	314000	DRIVE SHAFT	
17	229686	FAN MOULDING	
18	206737	14:1 GEARBOX (GB12)	
	206754	18.67:1 GEARBOX (GB12)	415 MODEL
19	219887	M6 X 16MM STAINLESS STEEL CAP HEAD SCREW	
20	219544	M6 SHAKEPROOF WASHER	
21	220876	20 MFD MOTOR RUN CAPACITOR (450V)	
22	219079	M8 PLAIN NUT	
23	219018	M8 SHAKEPROOF WASHER	
24	219224	M6 X 55MM LONG HEX HEAD BOLT	
25	219523	GROOVED PIN	
26	230048	26MM EXTERNAL CIRCLIP	
27	229664	LOLINE DECK MOULDING (330MM)	
	229718	DECK MOULDING (360MM)	415 MODEL
28	214111	BUFFER RING	
	214112	BUFFER RING	415 MODEL
29	229680	DECK WEIGHT COVER GREY	
30	219568	No8 X 3/4 INCH LONG POZI PAN STAINLESS STEEL SCREW	
31	219497	M5 NYLON WASHER	
32	206575	240V / 25A RELAY & BRACKET	
33	219644	M5 FORM G STAINLESS STEEL WASHER	
34	221152	No6 X 12MM LONG POZI PAN SELF TAP SCREW	
35	227008	BLACK CABLE CLAMP	
36	216288	TERMINAL BLOCK	
37	219009	M4 BRASS TAPPEX INSERT	
38	206563	EARTH CONTACT PIN	
39	206562	CONTACT PIN	
40	219471	M4 X 12MM LONG POZI PAN SEMS SCREW	
41	429098	WEIGHT PAINTED SILVER GREY	
42	321193	AC LED WITH TERMINALS	
43	236071	MAINS CABLE (15.0 METRES / 1MM / 3 CORE CABLE / SOCKET + UK PLUG)	
43	236074	MAINS CABLE (15.0 METERS / 1.0MM / 3 CORE CABLE / SOCKET + EURO PLUG)	
43	236086	MAINS CABLE (15.0 METERS / 1.0MM / 3 CORE CABLE / SOCKET + AUSTRALIAN PLUG)	
43	236077	MAINS CABLE (15.0 METERS / 1.0MM / 3 CORE CABLE / SOCKET + SWISS PLUG)	
43	236080	MAINS CABLE (15.0 METERS / 1.0MM / 3 CORE CABLE / SOCKET + SOUTH AFRICAN PLUG)	
44	216293	LEVER PLATE	
45	216292	CUT OUT LEVER	
46	229454	HANDLE SWITCH	
47	229729	10AMP PLUG CLAMP	
48	219677	No4 X 10MM LONG POZI PAN PLASTITE SCREW	
49	230136	SUPPRESSOR ASSEMBLY	
50	206500	RELAY BRACKET	
51	219651	M4 X 10MM LONG POZI PAN THREAD CUTTING SCREW	

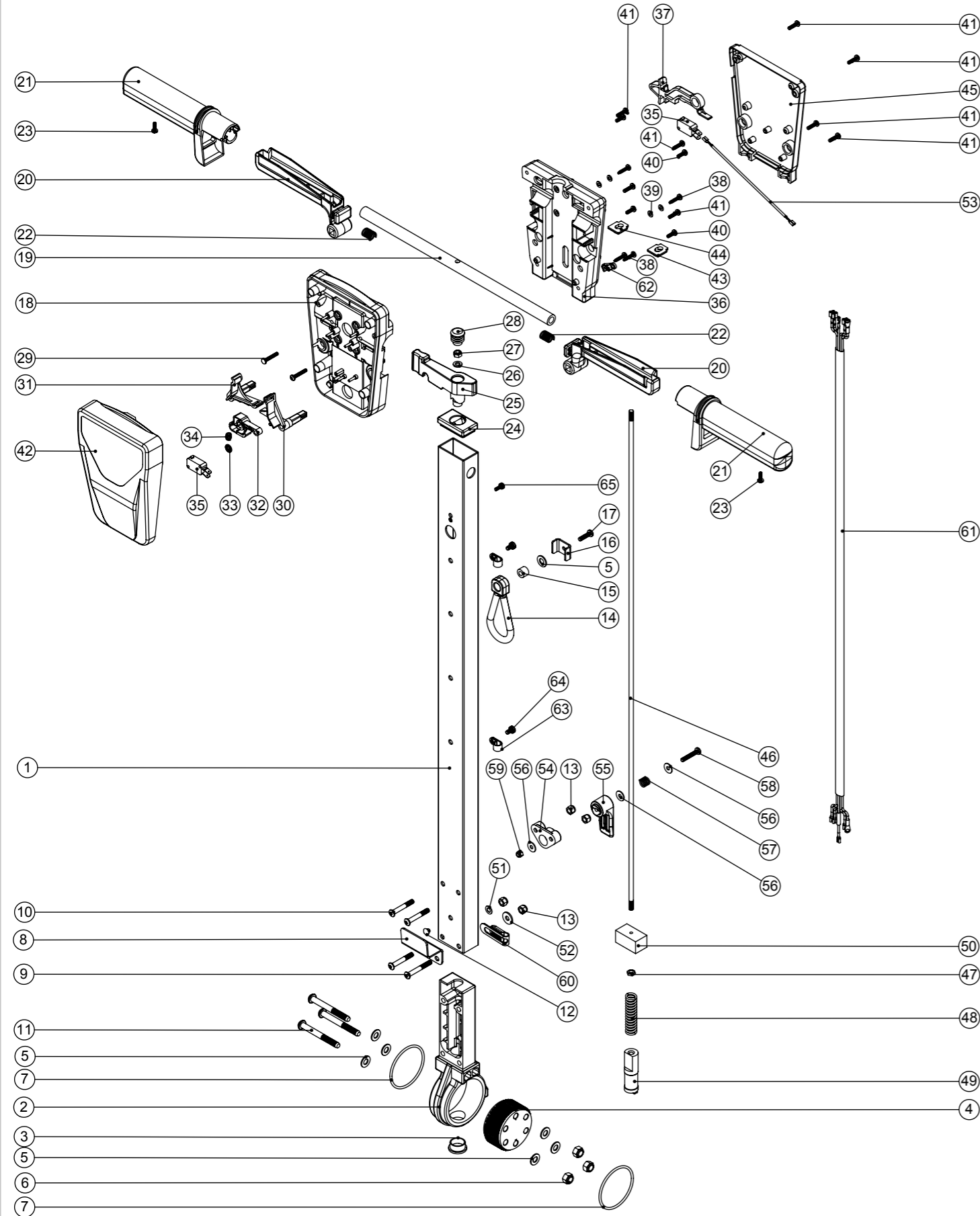
# Numatic International Spare Parts

## Model No: NLL332 / NLL415 HANDLE

NB: FOR WIRING SEE DRAWING: WD-0341

234456

DRAWING: EXP-0886 ISS:A02  
01/10/2007



# Numatic International Spare Parts

## Model No: NLL332 / NLL415 HANDLE

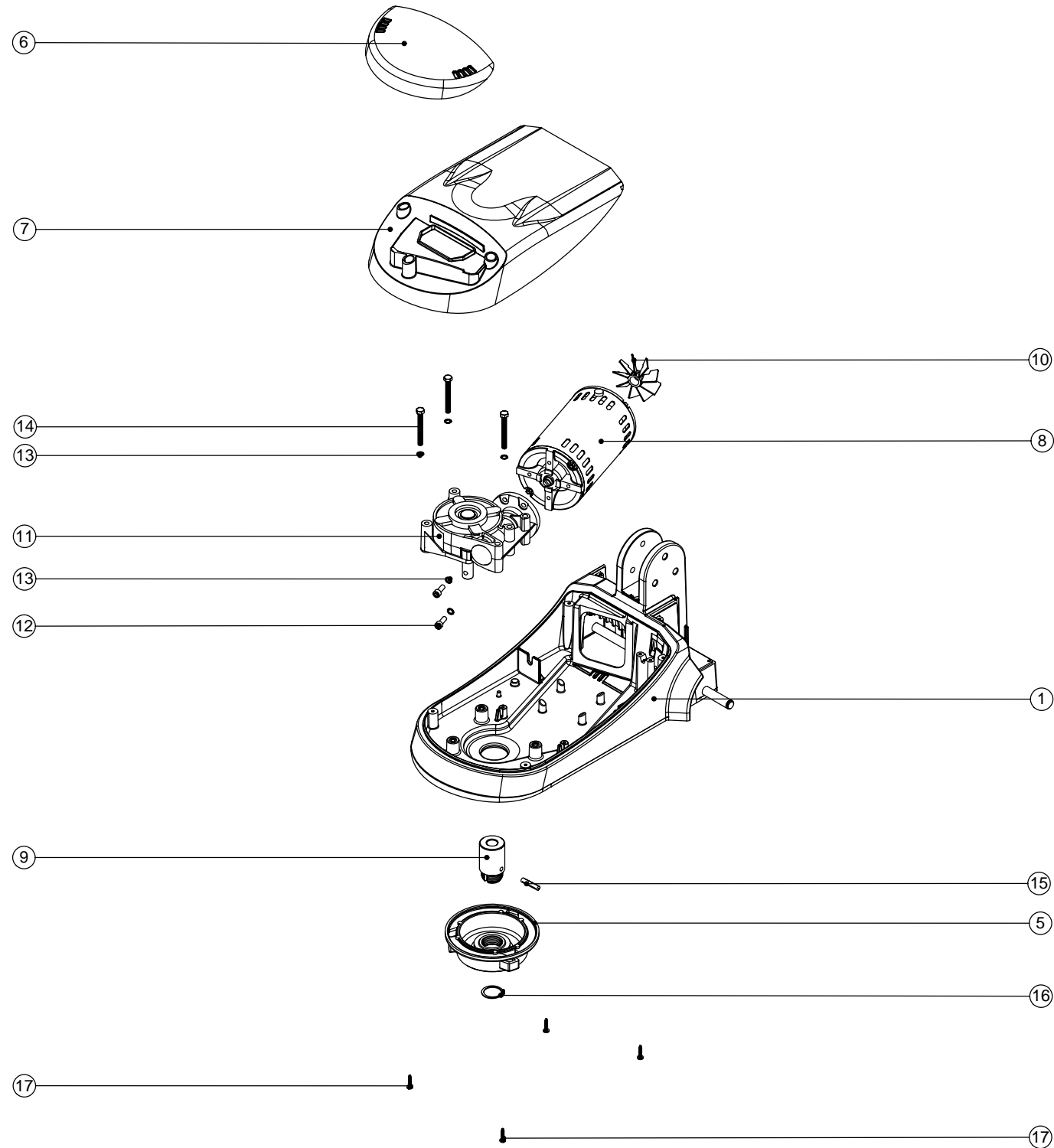
POS:	ITEM NO:	DESCRIPTION:	COMMENTS:
1	429096	LOLINE HANDLE TUBE PAINTED (830)	
2	229081	HANDLE CASTING MACHINED	
3	229099	25MM DIA HOLE PLUG	
4	229482	DUAL SETTING ADJUSTMENT GEAR	
5	219010	M8 FORM A WASHER	
6	219078	M8 NYLON INSERT NUT	
7	219254	O RING 3MM DIA X 60MM I/D	
8	329000	HANDLE BRACKET	
9	219881	M6 X 45MM SOCKET BUTTON HEAD SCREW	
10	219807	M6 X 40MM LONG SOCKET BUTTON HEAD BOLT	
11	219806	M8 X 70MM LONG SOCKET BUTTON HEAD BOLT	
12	229009	BLANKING PLUG	
13	219088	M6 NYLON INSERT NUT	
14	226008	STRESS RELIEF	
15	226006	SPACER (BLACK)	
16	329231	STRESS RELIEF BRACKET	
17	219054	M5 X 20MM LONG POZI PAN SCREW	
18	227576	FRONT INNER HALF MOULDING	
19	338269	CROSS TUBE	
20	227581	TRIGGER MOULDING	
21	227580	HAND GRIP MOULDING	
22	219803	TRIGGER COMPRESSION SPRING	
23	219270	No8 X 1/2 INCH LONG POZI PAN SELF TAP SCREW	
24	227582	HANDLE PLUG MOULDING	
25	227583	ADJUSTMENT LEVER MOULDING	
26	219493	M6 NYLON WASHER	
27	219642	M6 STAINLESS STEEL NYLON INSERT NUT	
28	20638V	CSP-302 BLACK TUBE END STOP	
29	219811	NO8 X 1 INCH LONG POZI-PAN SELF TAP SCREW	
30	227585	LEFT HAND SWITCH OPERATING LEVER MOULDING	
31	227586	RIGHT HAND SWITCH OPERATING LEVER MOULDING	
32	227587	CENTRE SWITCH OPERATING LEVER MOULDING	
33	219805	4MM SPIREFIX	
34	219804	SWITCH COMPRESSION SPRING	
35	229483	SNAP ACTION SWITCH	
36	227577	REAR INNER HALF MOULDING	
37	227584	INTERLOCK LEVER MOULDING	
38	219107	No6 X 5/8 INCH LONG POZI PAN PLASTITE SCREW	
39	219206	M4 FORM A WASHER	
40	219101	No8 X 1/2 INCH LONG POZI PAN PLASTITE SCREW	
41	219105	No8 X 5/8 INCH LONG POZI PAN PLASTITE SCREW	
42	318959	PRINTED FRONT COVER MOULDING	
43	329539	MODIFIED BLANKING PLATE	
44	227666	BLANKING PLUG	
45	318968	PRINTED REAR COVER MOULDING	
46	229484	840MM HANDLE LOCKING ROD	
47	219099	M6 HALF NUT	
48	229138	SPRING	
49	229073	GEAR LOCKING PIN	
50	229030	ANTI VIBRATION PAD	
51	219007	M6 FORM B WASHER	
52	219008	M6 FORM G WASHER	
53	230082	150MM LONG WHITE LINK WIRE	
54	227806	CABLE RELEASE BASE MOULDING	
55	227807	CABLE RELEASE TOP MOULDING	
56	219644	M5 FORM G STAINLESS STEEL WASHER	
57	206599	SPRING (REF:C5514370)	
58	219720	M5 X 30MM LONG STAINLESS STEEL POZI PAN SCREW	
59	219076	M5 NYLON INSERT NUT	
60	229139	P-CLIP	
61	230132	NLL LOOM ASSEMBLY (5 CORE) UK/EURO	
62	229669	LOLINE HANDLE CABLE CLAMP	
63	219393	P CLIP	
64	219047	M5 X 10MM LONG POZI PAN SEMS SCREW	
65	219471	M4 X 12MM LONG POZI PAN SEMS SCREW	

**Numatic International Spare Parts**

**Model No: NLL MOTOR AND GEARBOX REMOVAL**

234553  
DRAWING:EXP-0982 ISS:A01  
05/10/2007

**NB: FOR WIRING SEE DRAWING: WD-????**



**Numatic International Spare Parts**

**Model No: NLL MOTOR AND GEARBOX REMOVAL INSTRUCTIONS**

POS:	ITEM NO:	DESCRIPTION:	COMMENTS:
1	229661	BASE MOULDING	
2	206733	AXLE	
3	219713	M6 HEADED TAPPEX INSERT	
4	219009	M4 BRASS TAPPEX INSERT	
5	230207	CHUCK	
6	229663	LOLINE CAP MOULDING GREY	
7	328113	NLL332 LID MOULDING PRINTED	
8	205116	INDUCTION MOTOR 240/220V	
9	314000	DRIVE SHAFT	
10	229686	FAN MOULDING	
11	206737	14:1 GEARBOX (GB12)	
12	219887	M6 X 16MM STAINLESS STEEL CAP HEAD SCREW	
13	219544	M6 SHAKEPROOF WASHER	
14	219224	M6 X 55MM LONG HEX HEAD BOLT	
15	219523	GROOVED PIN	
16	230048	26MM EXTERNAL CIRCLIP	
17	219914	NO6 X 5/8 INCH LONG POZI-PAN PLASTITE STAINLESS STEEL SCREW	

**NLL MOTOR AND GEARBOX REMOVAL INSTRUCTIONS.**

REMOVE THE CHUCK CIRCLIP (ITEM 16), THEN GENTLY TAP AND UNSCREW CHUCK (ITEM 5).

REMOVE 4 LID MOULDING SCREWS (ITEMS 19) ACCESSED FROM THE UNDERNEATH OF THE BASE MOULDING.

THE MOTOR AND GEARBOX ASSEMBLY (ITEMS 8 & 11) CAN NOW BE REMOVED BY UNSCREWING 3 BOLTS LOCATED ON THE TOP OF THE GEARBOX (ITEMS 14) AND UNCLIPPING THE WIRES; THE ASSEMBLY NEEDS TO BE PUSHED TOWARDS THE FRONT OF THE MACHINE, LIFT THE BACK END OF THE MOTOR FIRST SO THE FAN (ITEM 10) CLEARS THE BASE MOULDING.

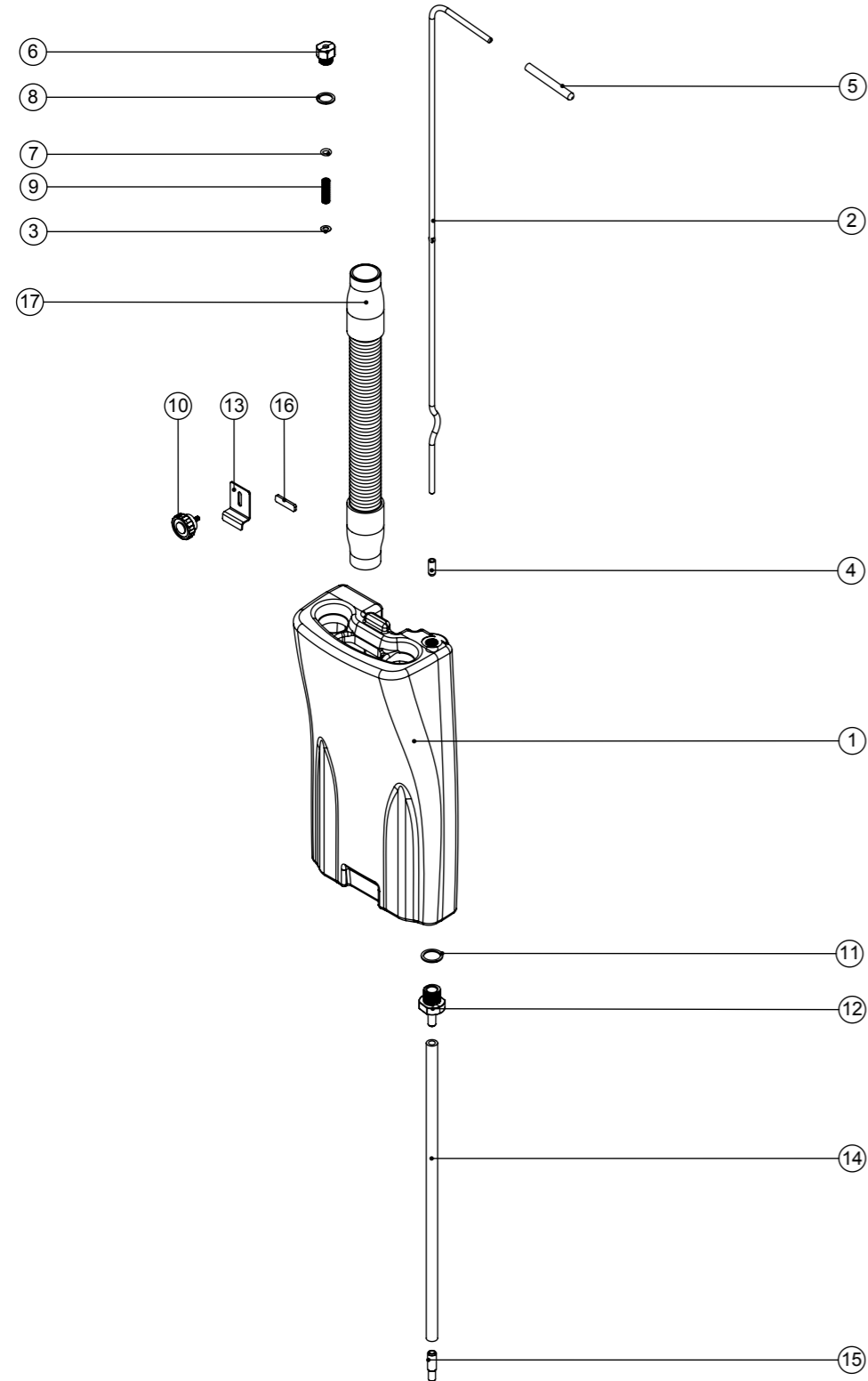
REMOVE THE 2 SOCKET HEAD BOLTS (ITEMS 12) WHICH HOLD THE GEARBOX TO THE MOTOR.

**Numatic International Spare Parts**

**Model No: NLL SOLUTION TANK**

**NB: FOR WIRING SEE DRAWING: WD-????**

234460  
DRAWING: EXP-0890 ISS:A02  
24/07/2007



**Numatic International Spare Parts**

**Model No: NLL SOLUTION TANK**

POS:	ITEM NO:	DESCRIPTION:	COMMENTS:
1	229671	LOLINE SOLUTION TANK MOULDING	
2	206740	LOLINE SOLUTION TANK PULL HANDLE	
3	219560	M6 FORM B STAINLESS STEEL WASHER	
4	229006	END TIP	
5	229007	ROD CAP	
6	229093	TOP FITTING	
7	229082	O RING	
8	206908	RUBBER WASHER 21.5MM O/D X 16MM I/D	
9	229130	SPRING	
10	219141	M5 SOLUTION TANK KNOB	
11	206907	RUBBER WASHER 25.5MM O/D X 20MM I/D	
12	229094	BOTTOM FITTING	
13	329535	LOLINE SOLUTION TANK BRACKET	
14	303694	430MM LONG SOLUTION TUBE	
15	229092	TUBE CONNECTOR	
16	229261	FOAM CLAMP PAD	
17	213041	NLL SOLUTION TANK HOSE ASSY	