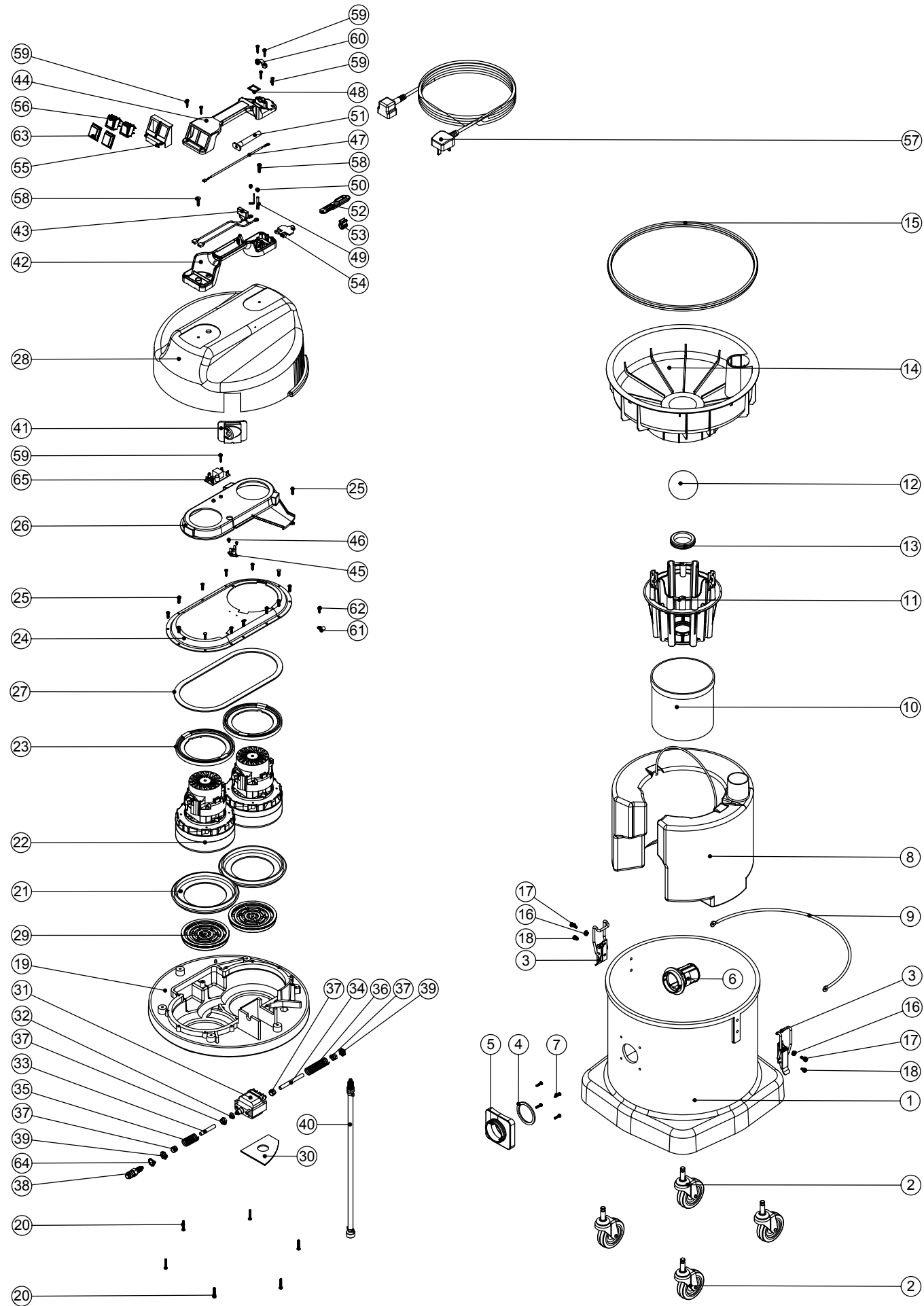


Numatic International Spare Parts

Model No: CTD570-2 EXPLODED DRAWING

234361
DRAWING: EXP-0792 ISS:A01
08/06/2005



Numatic International Spare Parts

Model No: CTD570-2 EXPLODED DRAWING

POS:	ITEM NO:	DESCRIPTION:	COMMENTS:
1	325449	BLUE DRUM (PROCESSED)	
	325450	RED DRUM (PROCESSED)	
	325451	YELLOW DRUM (PROCESSED)	
	325447	GREY DRUM (PROCESSED)	
2	204060	3 INCH CASTOR	
3	206135	TOGGLE FASTENER	
4	202027	HOSE FLANGE GASKET	
5	270161	FLANGE NECK BAYONET	
6	206493	WET DRY CONNECTOR	
7	219105	No8 X 5/8 INCH LONG POZI PAN PLASTITE SCREW	
8	325161	FLUID CONTAINER & HANDLE ASSEMBLY	
9	418512	BLACK CRANKED BUCKET HANDLE	
10	207073	GAUZE FILTER	
11	225130	MOULDED FLOAT CAGE	
12	206026	POLYPROP BALL	
13	220235	FLOAT GROMMET	
14	225102	FLOAT MOULDING	
15	202036	FLOAT MOULD EXTRUSION SEAL	
16	208025	SPACER BUCKET HANDLE	
17	219045	M5 X 16MM LONG POZI PAN SEMS SCREW	
18	219047	M5 X 10MM LONG POZI PAN SEMS SCREW	
19	301046	PROCESSED BOTTOM MOTOR HOUSING	
20	219369	No8 X 1 INCH LONG POZI PAN STAINLESS STEEL PLASTITE SCREW	
21	202005	MOTOR BOTTOM GASKET	
22	205411	240V 2 STAGE D.I BYPASS ACUSTEK MOTOR (BL21104)(MARKED 230V)	
	205410	220V 2 STAGE D.I BYPASS ACUSTEK MOTOR (BL21102)(MARKED 230V)	
	205409	120V 2 STAGE D.I BYPASS ACUSTEK MOTOR (BL21101)	
23	227925	TOP MOTOR GASKET	
24	325526	TOP MOTOR HOUSING (DUPLEX)	
25	219370	No8 X 5/8 INCH LONG PLASTITE STAINLESS STEEL SCREW	
26	227928	570 AIR SEPERATOR (LAMB BYPASS MOTOR DUPLEX)	
27	202012	GASKET	
28	301049	PROCESSED COVER MOULDING	
29	206010	FAN GUARD	
30	202042	FLOAT SEALING GASKET	
31	216147	PUMP SMALL BORE 220/240V/50HZ	
	216142	PUMP SMALL BORE 110V/50HZ	
32	219304	O RING	
33	227055	48MM LONG BLACK POLYURATHENE TUBE	
34	227056	78MM LONG BLACK POLYURATHENE TUBE	
35	219326	50MM LONG COMPRESSION SPRING	
36	219327	80MM LG COMPRESSION SPRING	
37	219299	BLOCKING NUT	
38	216296	QUICK RELEASE BULK HEAD FITTING	
39	219337	LOCKNUT	
40	303167	SOLUTION TUBE & FILTER ASSEMBLY	
41	206112	QUICK RELEASE FIX PLATE	
42	320686	HANDLE BASE MOULDING	
43	220142	SUPPRESSOR ASSEMBLY	230V VERSION
	230234	SUPPRESSOR ASSEMBLY	220V VERSION
	220558	SUPPRESSOR ASSEMBLY	110V VERSION
44	227624	HANDLE COVER	
	227627	HANDLE COVER HARD WIRE 2 SWITCH	HARDWIRED VERSION
45	220532	THERMOSTAT	
46	219491	M5 X 3MM LONG POZI PAN TAPTITE SCREW	
47	320830	DIODE ASSEMBLY	
48	202000	TERMINAL GASKET	
49	206562	CONTACT PIN	
50	219090	M4 X 8MM LONG POZI PAN SEMS SCREW	
51	220923	STRESS RELIEF	
52	227636	STRAIN RELIEF	
53	227637	CABLE CLIP	
54	227632	TERMINAL COVER & CLAMP	
55	227629	SWITCH MOUNTING BRACKET	
56	220843	BLUE ROCKER SWITCH	
57	236009	10.0M X 1.00MM X 2 CORE NUCABLE (UK PLUG)	
	236013	10.0M X 1.00MM X 2 CORE NUCABLE (EURO PLUG)	
	236017	10.0M X 1.00MM X 2 CORE NUCABLE (SWISS PLUG)	
	236021	10.0M X 1.00MM X 2 CORE NUCABLE (SOUTH AFRICAN PLUG)	
	236029	10.0M X 1.00MM X 2 CORE NUCABLE (AUSTRALIAN PLUG)	
	236065	10M X 2CORE X 2.5MM CABLE PLUS 32AMP INDUSTRIAL PLUG	HARDWIRED VERSION
58	219546	M5 X 20MM LONG POZI PAN SEMS SCREW	
59	219107	No6 X 5/8 INCH LONG POZI PAN PLASTITE SCREW	
60	227564	PLUG LOCATION CLAMP	
61	226050	CABLE CLAMP (WHITE P CLIP)	
62	219471	M4 X 12MM LONG POZI PAN SEMS SCREW	
63	206573	SWITCH COVER (PLUG HANDLE)	
64	219290	M12 SHAKEPROOF WASHER	
65	220555	230V DELAY START MODULE	
	220556	115V DELAY START MODULE	