

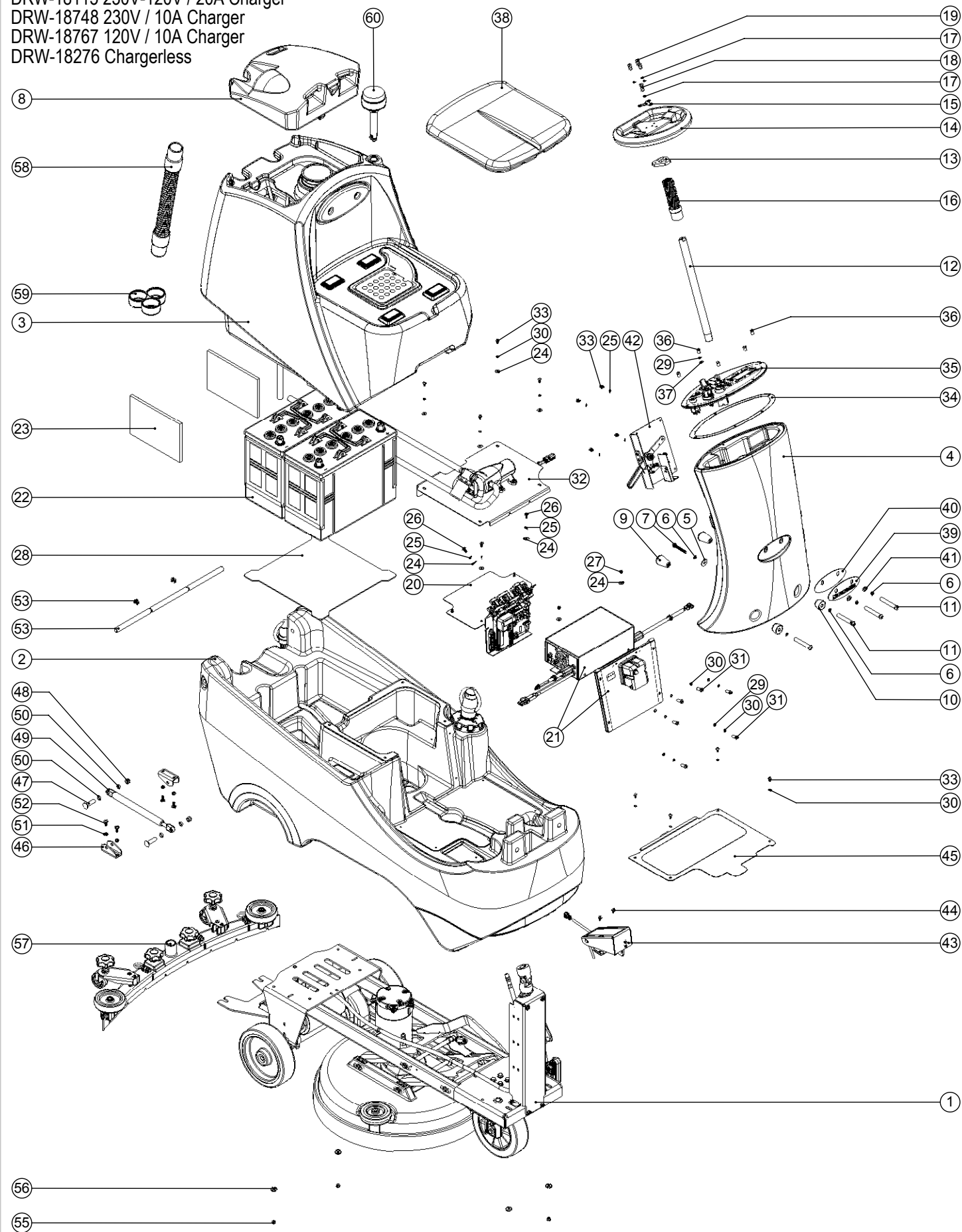
Numatic International Spare Parts

Model No: MINI RIDE ON GENERAL ASSEMBLY EXP

Internal Code: 777550
 DRAWING: DRW-15507 ISS:A06
 PRO 15/05/2015

NB: FOR WIRING SEE DRAWING:

- DRW-17042 230V / 35A Charger
- DRW-18115 230V-120V / 20A Charger
- DRW-18748 230V / 10A Charger
- DRW-18767 120V / 10A Charger
- DRW-18276 Chargerless



Numatic International Spare Parts

Model No: MINI RIDE ON GENERAL ASSEMBLY EXP

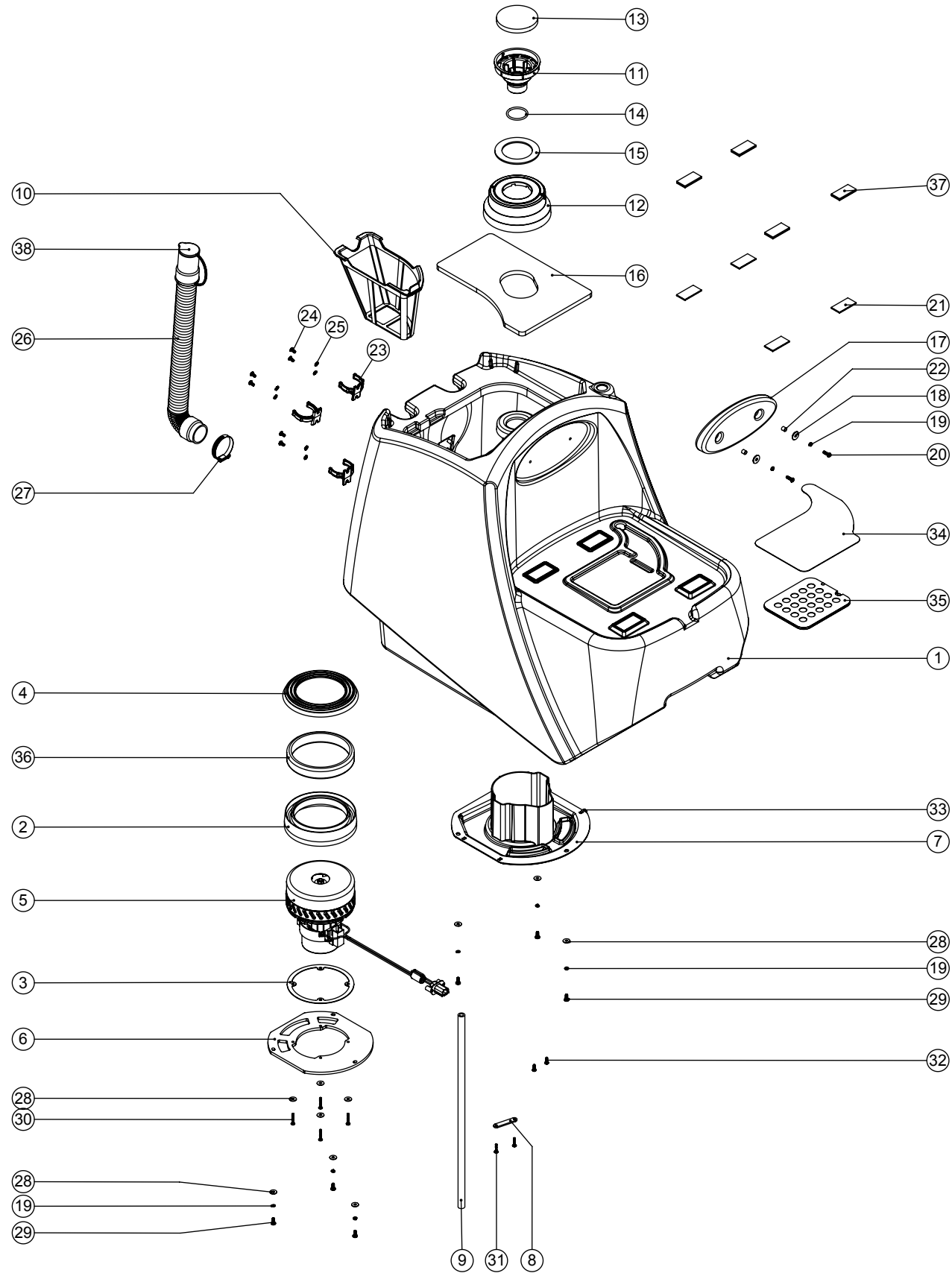
| ITEM: | PART No: | DESCRIPTION | COMMENTS: | QTY. |
|-------|----------|--|----------------------|------|
| 1 | 599530 | MINI RIDE ON CHASSIS GENERAL ASSEMBLY | SEE DRW-15518 | 1 |
| 2 | - | CRO BOTTOM TANK ASSY | SEE DRW-17607 | 1 |
| 3 | 599464 | MINI RIDE ON TOP TANK ASSEMBLY | SEE DRW-15376 | 1 |
| 4 | 237683 | MINI RIDE ON STEERING COLUMN | | 1 |
| 5 | 219716 | M8 FORM G STAINLESS STEEL WASHER | | 1 |
| 6 | 219898 | M8 SINGLE COIL STAINLESS STEEL WASHER | | 5 |
| 7 | 219922 | M8 X 50MM LONG SOCKET BUTTON HEAD STAINLESS STEEL BOLT | | 1 |
| 8 | - | CRO SEPARATOR ASSY | SEE DRW-17590 | 1 |
| 9 | 208903 | TAPERED BUSH (TAPPED) | | 2 |
| 10 | 208904 | TAPERED BUSH (CLEARANCE) | | 2 |
| 11 | 291142 | M8 X 70MM LG SOCKET BUTTON HEAD SCREW STAINLESS STEEL | | 4 |
| 12 | 208901 | UPPER STEERING SHAFT | | 1 |
| 13 | 404214 | STEERING WHEEL PLATE | | 1 |
| 14 | 208900 | GSL 255MM STEERING WHEEL | | 1 |
| 15 | 392500 | STEERING WHEEL TOP PLATE | | 1 |
| 16 | 380000 | STEERING SHAFT COVER HOSE 135mm LONG | 208466 CUT TO LENGTH | 1 |
| 17 | 219718 | M6 STAINLESS STEEL SPRING WASHER | | 4 |
| 18 | 291144 | M6 X 20MM LG HEX HEAD SCREW STAINLESS STEEL C/W THREADLOCK | | 1 |
| 19 | 291143 | M6 X 16MM LG SOCKET BUTTON HEAD SCREW STAINLESS STEEL C/W THREADLOCK | | 3 |
| 20 | N/A | CRO CHARGER PLATE AND PCB ASSEMBLY | SEE DRW-17539 | 1 |
| 21 | N/A | CRO AC SUPPLY PLATE AND CHARGER ASSY | SEE DRW-17570 | 1 |
| 22 | 230262 | SONNENSCHIEB 120AH BATTERY | CRO 8055/120T | 2 |
| | 205112 | 100 AMP/HOUR REPLACEMENT BATTERY | CRO 8055/100T | 2 |
| 23 | 208645 | FOAM BATTERY SPACER | | 2 |
| 24 | 219644 | M5 FORM G STAINLESS STEEL WASHER | | 9 |
| 25 | 219861 | M5 SINGLE COIL STAINLESS STEEL WASHER | | 7 |
| 26 | 219740 | M5 X 12MM LONG STAINLESS STEEL POZI PAN SCREW | | 3 |
| 27 | 219633 | M5 STAINLESS STEEL NYLON INSERT NUT | | 2 |
| 28 | 392501 | BATTERY PLATE | | 1 |
| 29 | 219355 | M5 FORM A STAINLESS STEEL WASHER | | 5 |
| 30 | 291084 | WASHER.M5.SHAKEPROOF.STAINLESS STEEL | | 14 |
| 31 | 291168 | M5 X 20MM LONG SOCKET BUTTON HEAD STAINLESS STEEL SCREW | | 6 |
| 32 | - | CRO PUMP AND FILTER SUB ASSY | SEE DRW-17506 | 1 |
| 33 | 291004 | M5 X 10MM LONG STAINLESS STEEL BUTTON HEAD SCREW | | 12 |
| 34 | 203040 | CRO CONTROL PANEL GASKET (LOWER) | | 1 |
| 35 | - | CRO DASH ASSY | SEE DRW-17585 | 1 |
| 36 | 291160 | M5 X 12MM LONG STAINLESS STEEL BUTTON HEAD SCREW | | 5 |
| 37 | 219462 | RUBBER WASHER | | 1 |
| 38 | 208862 | SEAT MOULDING | | 1 |
| 39 | 392433 | NUMATIC NAME PLATE | | 1 |
| 40 | 392432 | BLACK NAME PLATE SPACER | | 1 |
| 41 | 219578 | M8 FORM A STAINLESS STEEL WASHER | | 2 |
| 42 | - | FLOOR TOOL LIFTING PLATE ASSEMBLY | SEE DRW-16175 | 1 |
| 43 | 330211 | ACCELERATOR PEDAL ASSY (EDAC CONNECTOR) | SEE DRW-18638 | 1 |
| 44 | 291135 | M5 X 10MM LONG STAINLESS STEEL POZI PAN SEMS SCREW | | 2 |
| 45 | - | FOOTPLATE TREAD PAD POSITION & SEAL POSITION | SEE DRW-17134 | 1 |
| 46 | 392455 | GAS STRUT BRACKET - CARRIAGE BOLT | | 2 |
| 47 | 291120 | M8 X 40 CARRIAGE BOLT S/S | | 2 |
| 48 | 219639 | M8 STAINLESS STEEL NYLON INSERT NUT | | 2 |
| 49 | 208907 | GAS STRUT C/W END FITTINGS 100NM | | 1 |
| 50 | 291121 | NYLON SPACER I/D 8.2MM X O/D 12MM X 5MM LG | | 4 |
| 51 | 219870 | M6 FORM A WASHER STAINLESS STEEL | | 4 |
| 52 | 219646 | M6 X 16MM LONG POZI PAN STAINLESS STEEL SCREW | | 4 |
| 53 | 208902 | MINI RIDE ON PIVOT BAR | | 1 |
| 53 | 208072 | PLASTIC FIXING RING | | 2 |
| 55 | 219642 | M6 STAINLESS STEEL NYLON INSERT NUT | | 4 |
| 56 | 219647 | M6 FORM G STAINLESS STEEL WASHER | | 4 |
| 57 | 599469 | 650 TWINTEC ALUMINIUM FLOOR TOOL (38MM HOSE) | | 1 |
| 58 | 213061 | SUCTION HOSE 1330MM X Ø38MM | | 1 |
| 59 | 237718 | HOSE GUIDE | | 1 |
| 60 | - | BEACON MOUNT ASSY | SEE DRW-17381 | 1 |

Numatic International Spare Parts

Model No: MINI RIDE ON TOP TANK ASSEMBLY EXP

Internal Code: 599464
 DRAWING: DRW-15376 ISS:A04
 PRO 15/05/2015

NB: FOR WIRING SEE DRAWING: N/A



Numatic International Spare Parts

Model No: MINI RIDE ON TOP TANK ASSEMBLY EXP

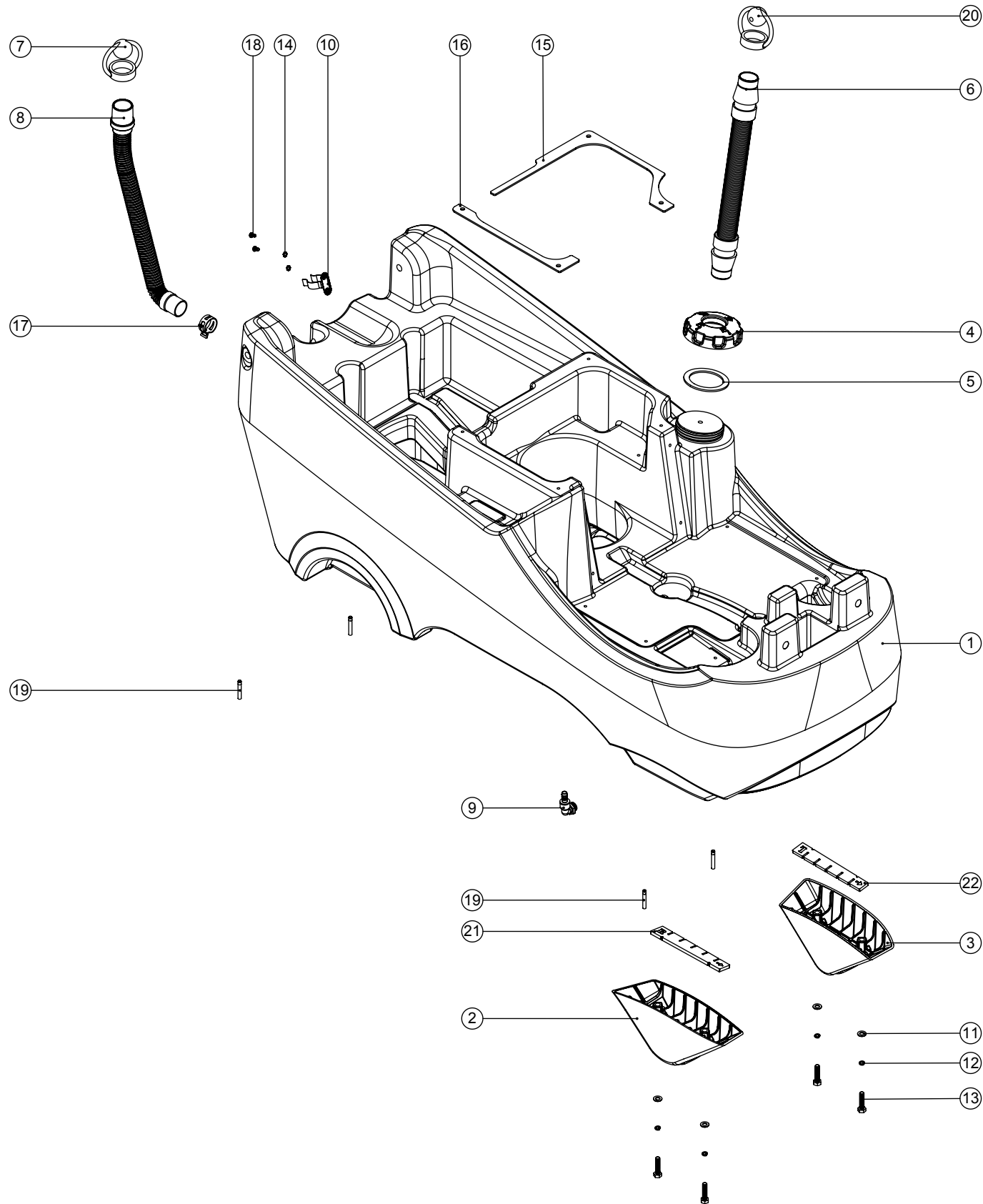
| ITEM: | PART No: | DESCRIPTION | COMMENTS: | QTY. |
|-------|----------|---|------------|------|
| 1 | 237611 | MINI RIDE ON TOP TANK (SHELLED) | | 1 |
| 2 | 202069 | BOTTOM MOTOR GASKET | | 1 |
| 3 | 202139 | MOTOR GASKET | | 1 |
| 4 | 202077 | BOTTOM MOTOR GASKET | | 1 |
| 5 | 323258 | VAC MOTOR 24V WITH PLUG AND FERRITE | | 1 |
| 6 | 392374 | MOTOR MOUNT PLATE | | 1 |
| 7 | 237620 | EXHAUST DIVERTER MOULDING | | 1 |
| 8 | 392496 | WIRE RETAINER | | 1 |
| 9 | 391528 | EXHAUST DIVERTER DRAIN HOSE 500MM LG | | 1 |
| 10 | 207000 | GRIT FILTER BASKET | | 1 |
| 11 | 237618 | AIR FILTER MOULDING | | 1 |
| 12 | 237619 | VAC SHUT OFF MOULDING | | 1 |
| 13 | 208861 | AIR FILTER | | 1 |
| 14 | 208860 | O RING 39MM ID X 3.5MM DIA. | | 1 |
| 15 | 208858 | LOWER SEALING RING | | 1 |
| 16 | 208980 | CRO FOAM PAD | | 1 |
| 17 | 208864 | BACK PAD MOULDING | | 1 |
| 18 | 291118 | M5 STAINLESS STEEL WASHER 19MM OD | | 2 |
| 19 | 219861 | M5 SINGLE COIL STAINLESS STEEL WASHER | | 8 |
| 20 | 219785 | M5 X 16MM LONG BUTTON HEAD STAINLESS STEEL SCREW | | 2 |
| 21 | 208865 | VELCRO LOOP 50 X 25 SELF ADHESIVE BACKED | | 4 |
| 22 | 208475 | 8MM SPACER | | 2 |
| 23 | 237754 | 35-38MM HOSE CLIP | | 3 |
| 24 | 291004 | M5 X 10MM LONG STAINLESS STEEL BUTTON HEAD SCREW | | 6 |
| 25 | 291020 | M5 STAINLESS STEEL EXTERNAL SHAKEPROOF LOCK WASHER | | 6 |
| 26 | 280017 | 35MM X 380MM LONG 3:1 STRETCH HOSE C/W CAP & STRAP (SHORT CUFF) | | 1 |
| 27 | 219919 | 32MM-50MM STAINLESS STEEL HOSE CLIP | | 1 |
| 28 | 219644 | M5 FORM G STAINLESS STEEL WASHER | | 10 |
| 29 | 219740 | M5 X 12MM LONG STAINLESS STEEL POZI PAN SCREW | | 6 |
| 30 | 219369 | No8 X 1 INCH LONG POZI PAN STAINLESS STEEL PLASTITE SCREW | | 4 |
| 31 | 219568 | No8 X 3/4 INCH LONG POZI PAN STAINLESS STEEL SCREW | | 2 |
| 32 | 219569 | No8 X 1/2 INCH LONG POZI PAN STAINLESS STEEL PLASTITE SCREW | | 2 |
| 33 | 220007 | BLACK CABLE TIE | | 2 |
| 34 | 208983 | SEAT SWITCH FLEXIBLE MEMBRANE | | 1 |
| 35 | 323290 | PRESSURE PAD | | 1 |
| 36 | 208981 | MOTOR SPACER | | 1 |
| 37 | 280003 | 50MM X 25MM BACK TO BACK (HOOK & LOOP) | | 4 |
| 38 | 900903 | HOSE CLOSURE REPLACEMENT KIT (35MM-38MM STRETCH HOSE) | SPARE ITEM | 1 |

Numatic International Spare Parts

Model No: CRO BOTTOM TANK ASSEMBLY

Internal Code: N/A
 DRAWING: DRW-17607 ISS:A03
 PRO 15/05/2015

NB: FOR WIRING SEE DRAWING: N/A



Numatic International Spare Parts

Model No: CRO BOTTOM TANK ASSEMBLY

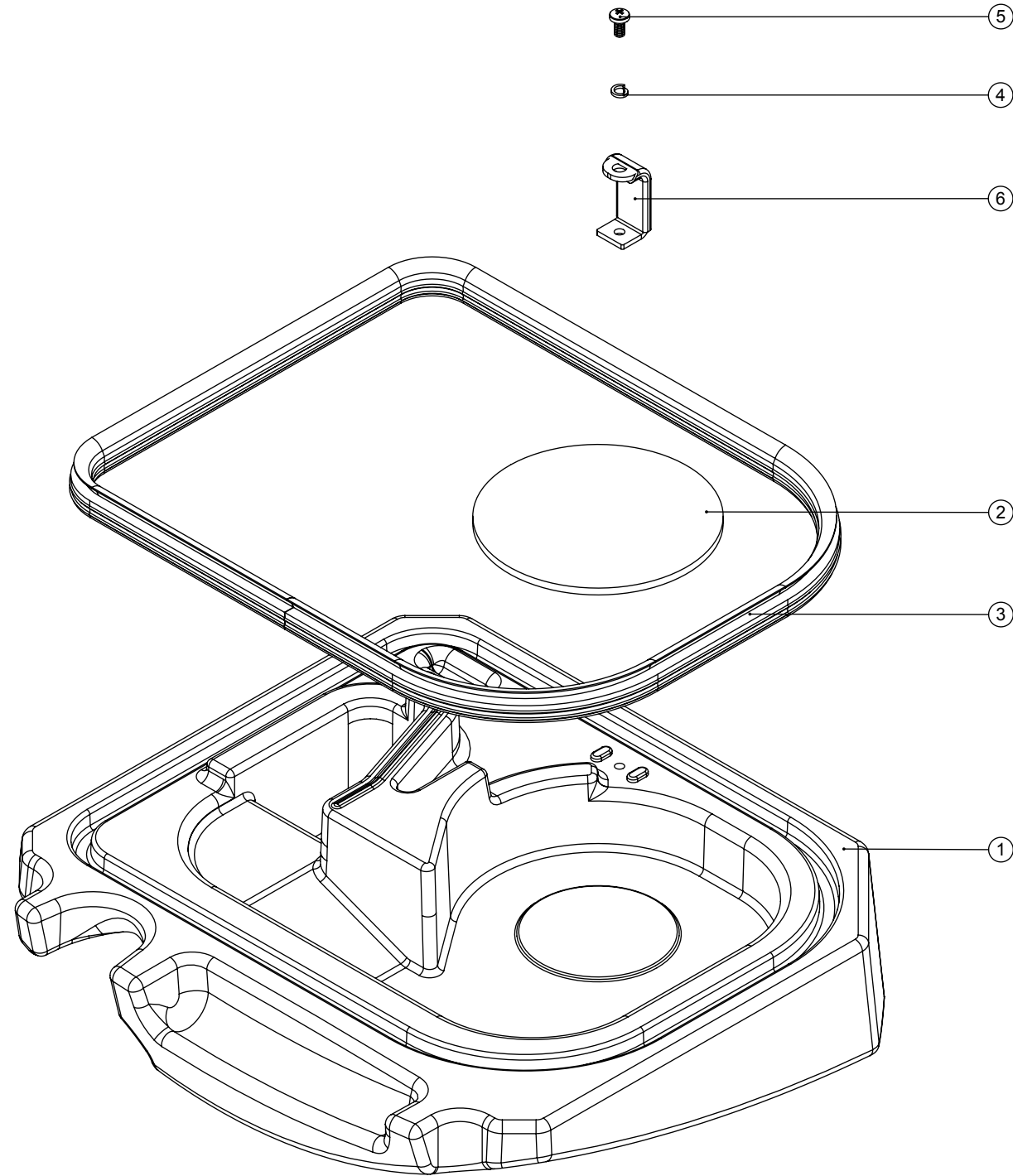
| ITEM: | PART No: | DESCRIPTION | COMMENTS: | QTY. |
|-------|----------|--|-----------|------|
| 1 | 237682 | MINI RIDE ON BOTTOM TANK | | 1 |
| 2 | 237684 | BOTTOM TANK SCUFF MOULDING RHS | | 1 |
| 3 | 237685 | BOTTOM TANK SCUFF MOULDING LHS | | 1 |
| 4 | 237174 | FILLER CAP WITH FILLER HOSE HOLE | | 1 |
| 5 | 208564 | FILLER CAP SEALING RING | | 1 |
| 6 | 206842 | 420MM LONG BLACK STRETCH HOSE C/W CUFFS | | 1 |
| 7 | 206111 | HOSE CLOSURE | | 1 |
| 8 | 208938 | 25MM X 455MM LG DUMP HOSE | | 1 |
| 9 | 208957 | 3/8" SWIVEL MALE 90 DEG ELBOW | | 1 |
| 10 | 206818 | HOSE CLIP | | 1 |
| 11 | 219578 | M8 FORM A STAINLESS STEEL WASHER | | 4 |
| 12 | 219898 | M8 SINGLE COIL STAINLESS STEEL WASHER | | 4 |
| 13 | 291112 | M8 X 40 LONG HEX BOLT STAINLESS STEEL | | 4 |
| 14 | 291020 | M5 STAINLESS STEEL EXTERNAL SHAKEPROOF LOCK WASHER | | 2 |
| 15 | 203027 | CRO PUMP PLATE GASKET LH | | 1 |
| 16 | 203028 | CRO PUMP PLATE GASKET RH | | 1 |
| 17 | 208471 | CONSTANT TENSION CLIP | | 1 |
| 18 | 291004 | M5 X 10MM LONG STAINLESS STEEL BUTTON HEAD SCREW | | 2 |
| 19 | 291158 | M6 X 40MM LONG GRUB SCREW STAINLESS STEEL C/W THREADLOCK | | 4 |
| 20 | 304439 | PROCESSED HOSE CLOSURE | | 1 |
| 21 | 392464 | RHS SCUFF MOULDING SPACER | | 1 |
| 22 | 392465 | LHS SCUFF MOULDING SPACER | | 1 |

Numatic International Spare Parts

Model No: CRO SEPARATOR ASSY

Internal Code: N/A
 PRO DRAWING: DRW-17590 ISS:A03
 15/05/2015

NB: FOR WIRING SEE DRAWING: N/A



Numatic International Spare Parts

Model No: CRO SEPARATOR ASSY

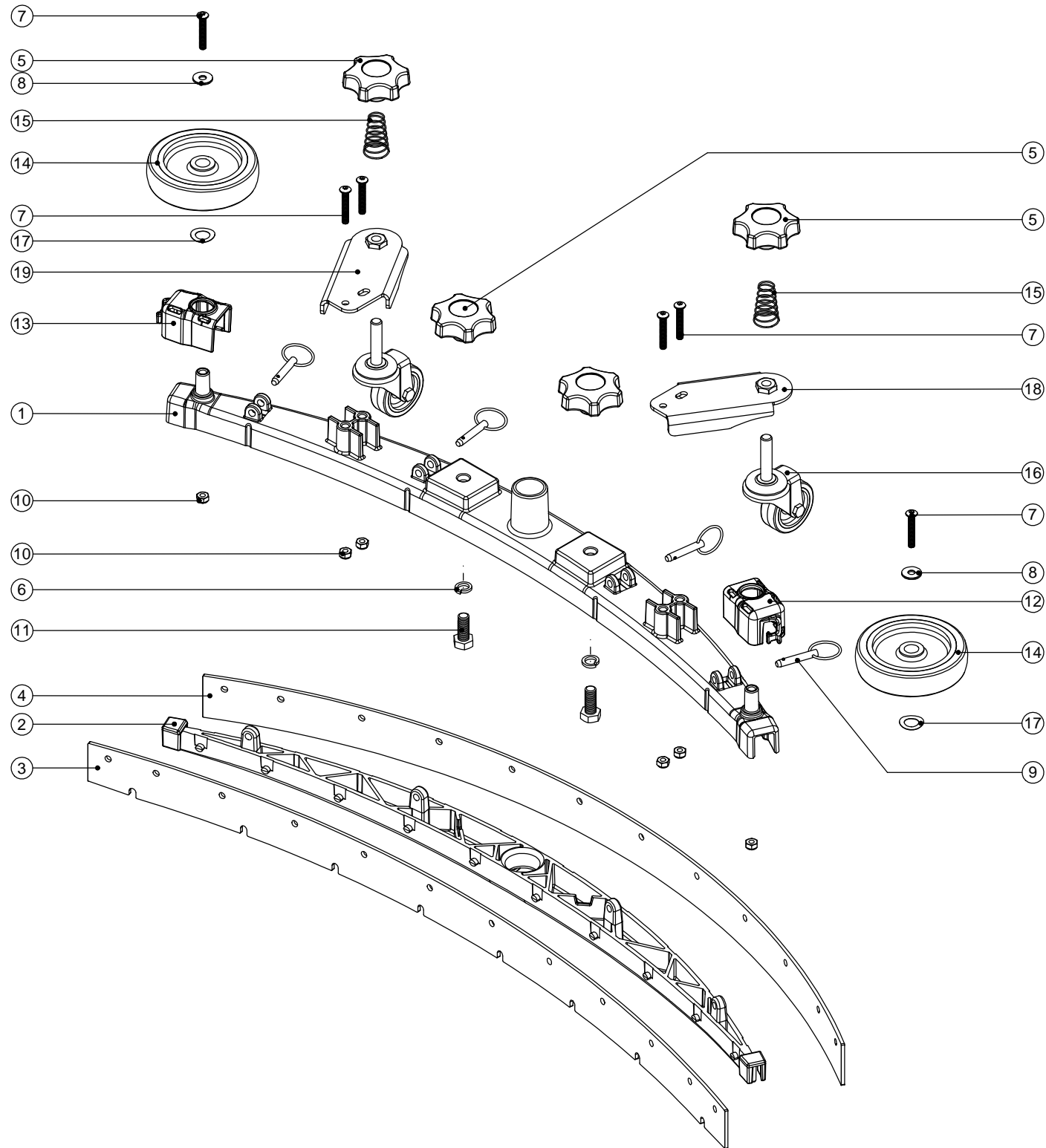
| ITEM: | PART No: | DESCRIPTION | COMMENTS: | QTY. |
|-------|----------|---|-----------|------|
| 1 | 237614 | MINI RIDE ON SEPARATOR | | 1 |
| 2 | 208899 | UPPER SEALING DISC | | 1 |
| 3 | 304503 | 1045mm LONG SEALING STRIP | | 1 |
| 4 | 219861 | M5 SINGLE COIL STAINLESS STEEL WASHER | | 1 |
| 5 | 219668 | M5 X 10MM LONG POZI PAN STAINLESS STEEL SCREW | | 1 |
| 6 | 330200 | CRO SEPARATOR BRACKET ASSY | | 1 |

Numatic International Spare Parts

Model No: 650 TWINTEC ALUMINIUM FLOOR TOOL (38MM HOSE)

599439 599440 599469
DRAWING: DRW-17997 ISS:A01
07/10/2014

NB: FOR WIRING SEE DRAWING: N/A



Numatic International Spare Parts

Model No: 650 TWINTEC ALUMINIUM FLOOR TOOL (38MM HOSE)

| ITEM: | PART No: | DESCRIPTION | QTY. |
|-------|-----------|--|------|
| 1 | 208198 | (650MM SCRUB WIDTH) ALUMINIUM SQUEEGEE CASTING (38MM HOSE FITTING) | 1 |
| 2 | 229987 | (650MM SCRUB WIDTH) BLADE HOLDER MOULDING (SLOPING PROFILE) (32MM & 38MM HOSE FITTING) | 1 |
| 3 | SEE TABLE | (650MM SCRUB WIDTH) REPLACEMENT (3.2MM / 40 SHORE A) FRONT MONOLAYER SERILOR POLY/BLADE (819MM LONG) | 1 |
| 4 | SEE TABLE | 650MM SCRUB WIDTH REPLACEMENT REAR BLADE (847MM LONG) | 1 |
| 5 | 208354 | M10 LOBE KNOB | 4 |
| 6 | 219899 | M10 SINGLE COIL STAINLESS STEEL WASHER | 2 |
| 7 | 219933 | M6 X 35MM SOCKET BUTTON HEAD BOLT STAINLESS STEEL | 6 |
| 8 | 219647 | M6 FORM G STAINLESS STEEL WASHER | 2 |
| 9 | 206953 | DETENT PINS | 4 |
| 10 | 219642 | M6 STAINLESS STEEL NYLON INSERT NUT | 6 |
| 11 | 219909 | M10 X 25MM LONG HEXAGONAL STAINLESS STEEL SCREW | 2 |
| 12 | 237322 | RIGHT HAND FLOOR TOOL CLIP MOULDING | 1 |
| 13 | 237323 | LEFT HAND FLOOR TOOL CLIP MOULDING | 1 |
| 14 | 208796 | 4 INCH WHEEL | 2 |
| 15 | 229175 | CONICAL SPRING | 2 |
| 16 | 208497 | 50MM C50MM DIAMETER GREY TPR TYRED SWIVEL CASTORS C/W M10 X 45 SWAGED STEMASTOR/GREY RUBBER TYRE | 2 |
| 17 | 219891 | 13MM WAVEY WASHER | 2 |
| 18 | 304523 | ADJUSTABLE FLOOR TOOL CASTOR PLATE RHS WELD ASSY | 1 |
| 19 | 304522 | ADJUSTABLE FLOOR TOOL CASTOR PLATE LHS WELD ASSY | 1 |

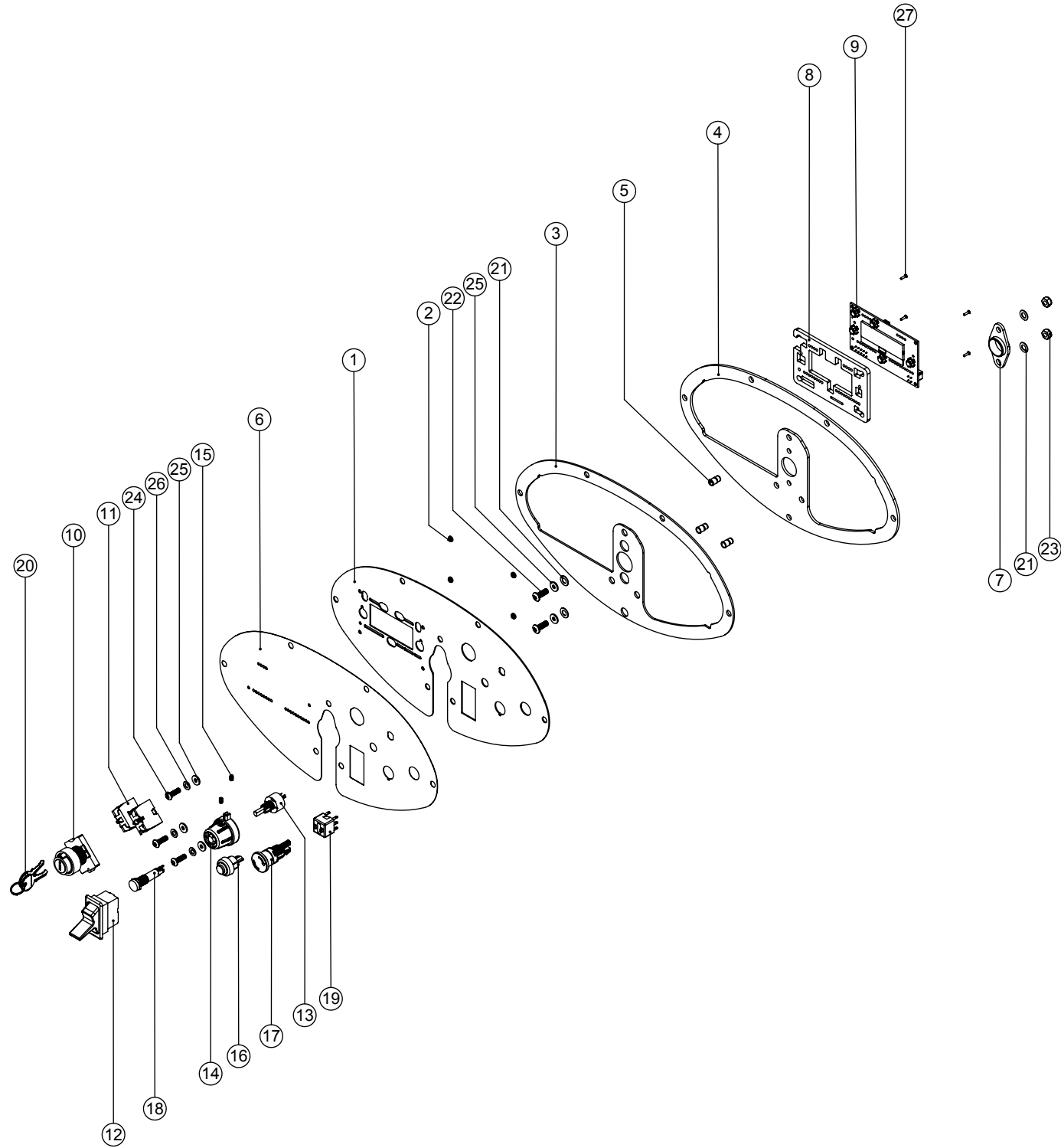
| BLADE | FRONT | REAR |
|--|--------|--------|
| POLYURETHANE 43 SHORE A | 206977 | 206978 |
| POLYURETHANE 50 SHORE A | 208199 | 208202 |
| LINATEX NATURAL RUBBER 40 SHORE A | 208201 | 208203 |
| SERILOR®CLEAN POLYURETHANE FRONT: 40 SHORE A / REAR: 35-45-35 SHORE A | 208967 | 208970 |

Numatic International Spare Parts

Model No: CRO DASH ASSY

Internal Code: N/A
 DRAWING: DRW-17585 ISS:A03
 PRO 15/05/2015

NB: FOR WIRING SEE DRAWING: N/A



Numatic International Spare Parts

Model No: CRO DASH ASSY

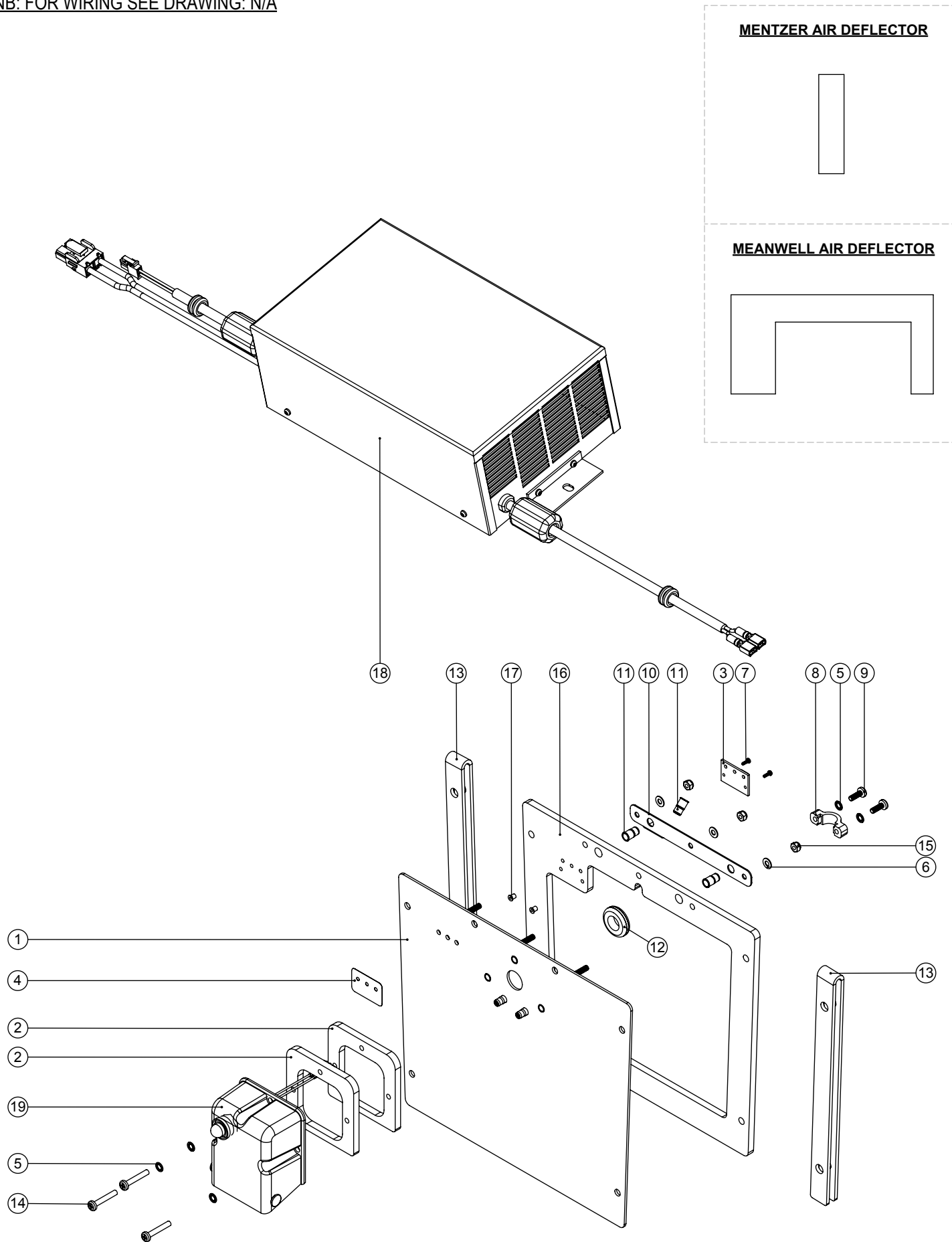
| ITEM: | PART No: | DESCRIPTION | COMMENTS: | QTY. |
|-------|----------|--|---|------|
| 1 | 392429 | TOP PANEL PLATE PAINTED SILVER | | 1 |
| 2 | 291011 | M2 STEEL SELF CLINCH NUT | | 4 |
| 3 | 203039 | CRO CONTROL PANEL GASKET (UPPER) | | 1 |
| 4 | 392426 | CONTROL PANEL PLATE PAINTED SILVER | | 1 |
| 5 | 219558 | M5 STAINLESS STEEL NUTSERT | | 3 |
| 6 | 208979 | CRO CONTROL PANEL OVERLAY | | 1 |
| 7 | 208110 | IGUS (R) 2 BOLT PLAIN BEARING 20MM I/D | | 1 |
| 8 | 392424 | DISPLAY PCB PLASTIC SPACER PLATE | | 1 |
| 9 | 230275 | LCD DISPLAY / INTERFACE | CRO8055/120T (Menzter, Meanwell chargers) | 1 |
| | 280020 | LCD DISPLAY. INTERFACE | CRO8055/100T (Nord charger) | 1 |
| 10 | 208138 | KEY SWITCH (2 POSITION) | | 1 |
| 11 | 208137 | KEY SWITCH ACTUATOR BLOCK | | 2 |
| 12 | 206933 | PADDLE SWITCH | | 1 |
| 13 | 270316 | POTENTIOMETER TYPE Pe30 22k OHMS 20% 3W (WITH PANEL SEAL) (ROUND SHAFT WITH FLAT / NO SLOT IN SHAFT END) | | 1 |
| 14 | 329363 | SPEED ADJUSTMENT KNOB C/W INSERT | | 1 |
| 15 | 219744 | M4 X 6MM LONG BLACKODISED GRUB SCREW | | 2 |
| 16 | 229454 | HANDLE SWITCH | | 1 |
| 17 | 206901 | EMERGENCY STOP (A01ES) 24MM DIAMETER BUTTON | | 1 |
| 18 | 270291 | GREEN LED INDICATOR 2V C/W 2.2K RESISTOR | | 1 |
| 19 | 208458 | SWITCH BLOCK (DOUBLE POLE / 2 POSITION) (A0152B) | | 1 |
| 20 | 208167 | SPARE SET OF KEYS (2 KEYS) | | 1 |
| 21 | 219560 | M6 FORM B STAINLESS STEEL WASHER | | 4 |
| 22 | 291113 | M6 X 16 SOCKET BUTTON HEAD BOLT STAINLESS STEEL | | 2 |
| 23 | 219642 | M6 STAINLESS STEEL NYLON INSERT NUT | | 2 |
| 24 | 219785 | M5 X 16MM LONG BUTTON HEAD STAINLESS STEEL SCREW | | 3 |
| 25 | 219462 | RUBBER WASHER | | 5 |
| 26 | 219355 | M5 FORM A STAINLESS STEEL WASHER | | 3 |
| 27 | 291172 | M2 X 8MM COUNTERSUNK POZI SCREW STAINLESS STEEL | | 4 |

Numatic International Spare Parts

Model No: CRO AC SUPPLY PLATE AND CHARGER ASSY

Internal Code: N/A
 DRAWING: DRW-17570 ISS:A11
 PRO 15/05/2015

NB: FOR WIRING SEE DRAWING: N/A



Numatic International Spare Parts

Model No: CRO AC SUPPLY PLATE AND CHARGER ASSY

| ITEM: | PART No: | DESCRIPTION | COMMENTS | QTY. |
|-------|-----------------|---|-------------------------|------|
| 1 | SEE TABLE BELOW | ELECTRONICS FRONT COVER PLATE SUB ASSY | | 1 |
| 2 | 329595 | TOP SOCKET PLATE | | 2 |
| 3 | SEE TABLE BELOW | LED CHARGER DISPLAY PCB | MENTZER & MEANWELL ONLY | 1 |
| 4 | 208978 | CHARGER LIGHTS OVERLAY | MENTZER & MEANWELL ONLY | 1 |
| 5 | 291145 | M4 SHAKEPROOF WASHER STAINLESS STEEL | | 5 |
| 6 | 219688 | M4 FORM A STAINLESS STEEL WASHER | | 3 |
| 7 | 219978 | M2 X 6MM LONG POZI PAN SCREW | MENTZER & MEANWELL ONLY | 2 |
| 8 | 227564 | PLUG LOCATION CLAMP | | 1 |
| 9 | 219890 | M4 X 12MM LONG POZI PAN STAINLESS STEEL SCREW | | 2 |
| 10 | 392502 | CRO EARTH PLATE | | 1 |
| 11 | 219558 | M5 STAINLESS STEEL NUTSERT | | 3 |
| 12 | 219735 | GROMMET | | 1 |
| 13 | 280008 | FRONT COVER PLATE GASKET | | 2 |
| 14 | 291165 | M4 X 25MM LONG POZI SCREW STAINLESS STEEL | | 3 |
| 15 | 219687 | M4 STAINLESS STEEL NYLON INSERT NUT | | 3 |
| 16 | 392456 | ELECTRONICS FRONT COVER SPACER PLATE | | 1 |
| 17 | 291115 | M2 X 4.2MM LONG TAPPEX (071M2) | MENTZER & MEANWELL ONLY | 2 |
| 18 | SEE TABLE BELOW | CHARGER ASSY | | 1 |
| 19 | SEE TABLE BELOW | SOCKET COVER ASSEMBLY | | 1 |

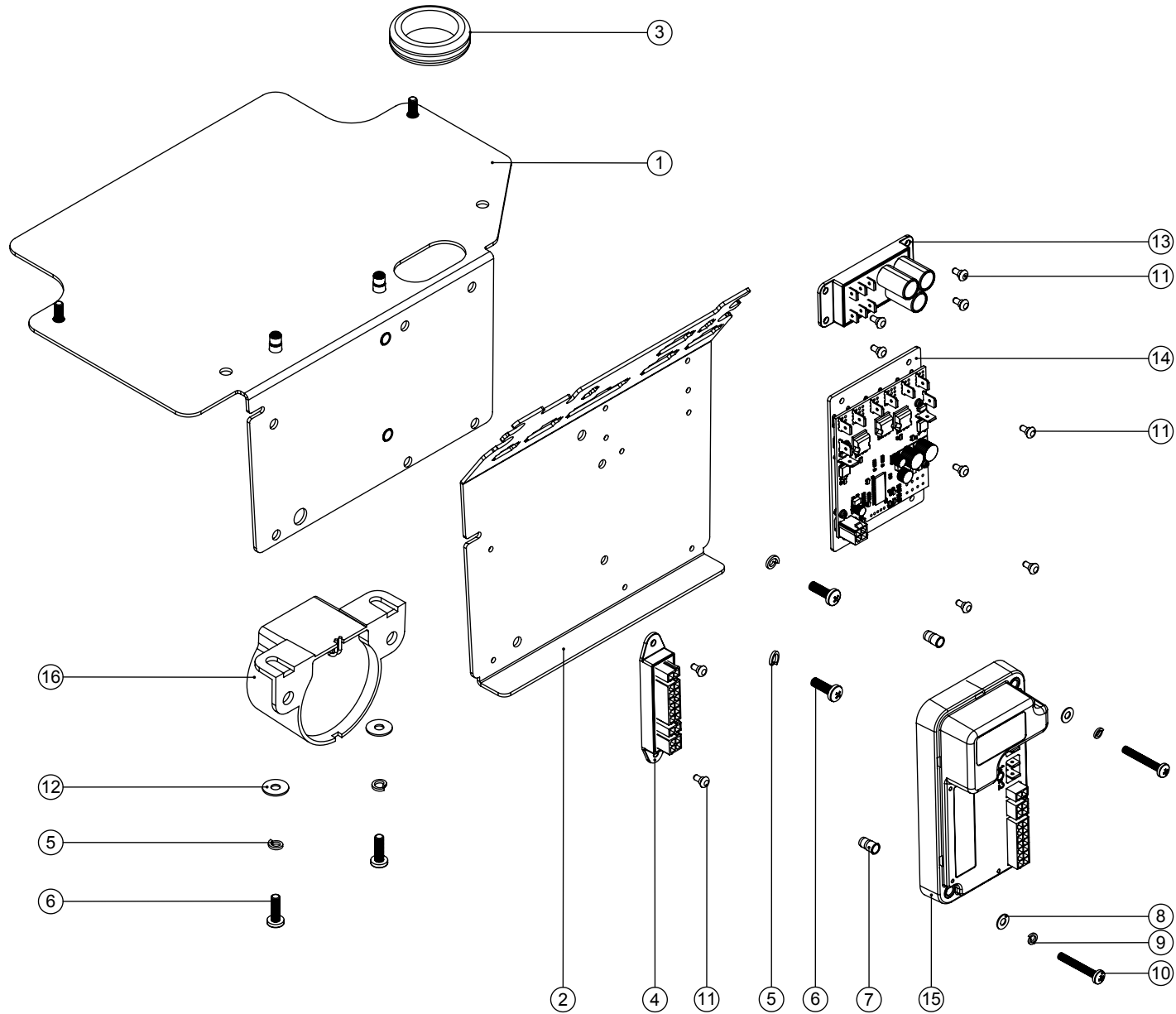
| CHARGER VARIATIONS | FRONT COVER PLATE ASSY | CHARGER | CHARGER POWER LEAD | AIR DEFLECTOR | LED CHARGER DISPLAY PCB | SOCKET COVER ASSEMBLY |
|-----------------------|------------------------|--------------------------------|--------------------|---------------|-------------------------|--------------------------------|
| MENTZER (35A) | 330202 | 230282 (230V) | INC WITH CHARGER | 280005 | 208805 | 329414 (230V) |
| MEANWELL (20A) | 330202 | 230261 (100-240V) | 901149 | 280006 | 280002 | 329414 (230V) 329441 (120V) |
| NORD (10A) | 392459 | 323332 (230V) 323333 (115V) | INC WITH CHARGER | NOT REQUIRED | NOT REQUIRED | 329414 (230V) 329441 (120V) |

Numatic International Spare Parts

Model No: CRO CHARGER PLATE AND PCB ASSEMBLY

Internal Code: N/A
 PRO DRAWING: DRW-17539 ISS:A05
 15/05/2015

NB: FOR WIRING SEE DRAWING: N/A



Numatic International Spare Parts

Model No: CRO CHARGER PLATE AND PCB ASSEMBLY

| ITEM: | PART No: | DESCRIPTION | COMMENTS: | QTY. |
|-------|-----------------|---|-----------|------|
| 1 | SEE TABLE BELOW | CRO CHARGER SUPPORT PLATE ASSY | | 1 |
| 2 | 392420 | PCB & IDRIVE SUPPORT PLATE | | 1 |
| 3 | 208029 | GROMMET (32MM I/D) | | 1 |
| 4 | 208909 | POTTED TERMINAL BLOCK ASSEMBLY | | 1 |
| 5 | 219861 | M5 SINGLE COIL STAINLESS STEEL WASHER | | 4 |
| 6 | 219547 | M5 X 16MM LONG POZI PAN STAINLESS STEEL SCREW | | 4 |
| 7 | 291148 | M4 NUTSERT STAINLESS STEEL | | 2 |
| 8 | 219688 | M4 FORM A STAINLESS STEEL WASHER | | 2 |
| 9 | 291146 | M4 SINGLE COIL SPRING WASHER STAINLESS STEEL | | 2 |
| 10 | 219913 | M4 X 30MM LONG POZI PAN STAINLESS STEEL SCREW | | 2 |
| 11 | 208963 | SNAP BLACK RIVET (REF SR-3055B) | | 10 |
| 12 | 219644 | M5 FORM G STAINLESS STEEL WASHER | | 2 |
| 13 | 208988 | HF RESERVOIR CAPACITOR PCB | | 1 |
| 14 | 280004 | DC DRIVE PCB | | 1 |
| 15 | 330196 | PROGRAMMED MOTOR CONTROLLER (CRO 8055) | | 1 |
| 16 | 323263 | HORN | | 1 |

| PART No. | DESCRIPTION |
|----------|---|
| 392423 | CRO MENTZER CHARGER SUPPORT PLATE ASSY* |
| 392457 | CRO MEANWELL CHARGER SUPPORT PLATE ASSY |
| 392458 | CRO NORD 15A CHARGER SUPPORT PLATE ASSY |

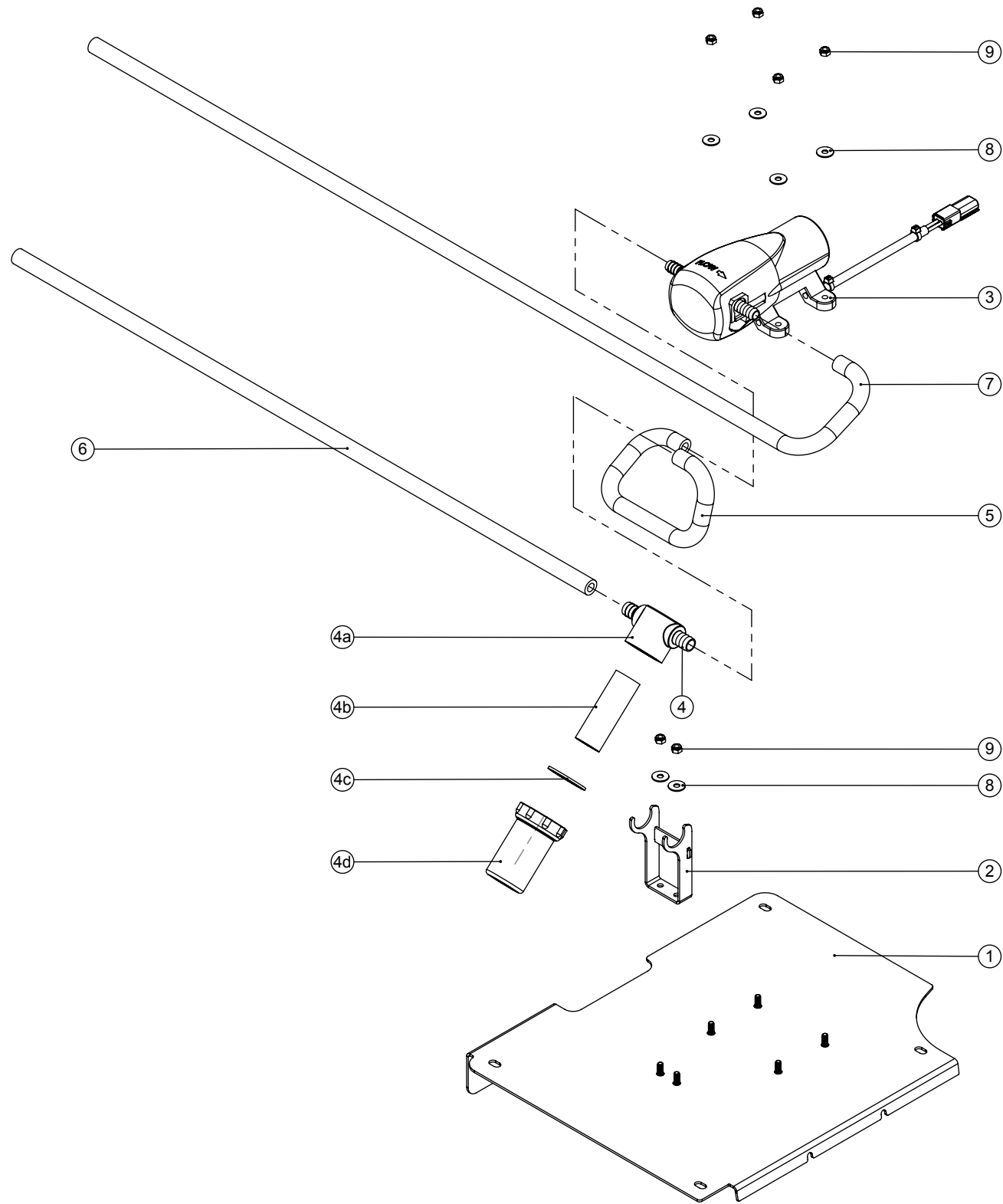
*SHOWN IN EXPLODED VIEW

Numatic International Spare Parts

Model No: CRO PUMP AND FILTER SUB ASSY

Internal Code: N/A
 DRAWING: DRW-17506 ISS:A04
 PRO 15/05/2015

NB: FOR WIRING SEE DRAWING: N/A



Numatic International Spare Parts

Model No: CRO PUMP AND FILTER SUB ASSY

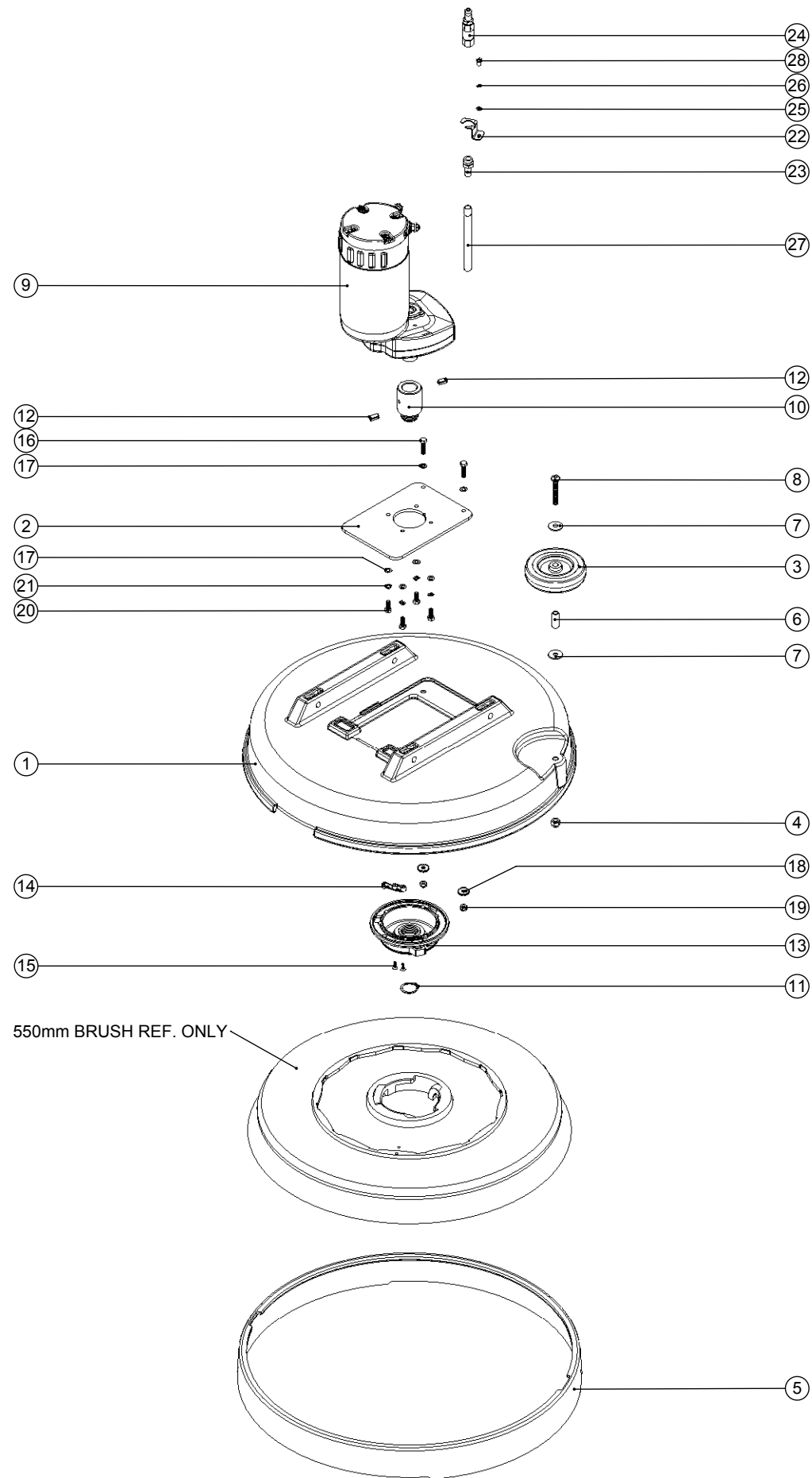
| ITEM: | PART No: | DESCRIPTION | COMMENTS: | QTY. |
|-------|----------|--|---------------------|------|
| 1 | 392419 | CRO PUMP AND FILTER PLATE WELD STUD ASSY | | 1 |
| 2 | 304521 | FILTER PLATE ASSEMBLY | | 1 |
| 3 | 230278 | WATER PUMP ASSEMBLY | | 1 |
| 4 | 208888 | EXTENDED STRAINER | INCLUDE 4a,4b,4c,4d | 1 |
| 4a | 208827 | STRAINER BLACK TOP | SPARE ITEM | 1 |
| 4b | 208889 | EXTENDED STRAINER 50 MESH SCREEN | SPARE ITEM | 1 |
| 4c | 208830 | STRAINER GASKET | SPARE ITEM | 1 |
| 4d | 208890 | EXTENDED STRAINER CLEAR BOWL | SPARE ITEM | 1 |
| 5 | 391525 | CRO FILTER TO PUMP TUBE 300MM LG | | 1 |
| 6 | 391526 | CRO TANK TO FILTER TUBE 700MM LG | | 1 |
| 7 | 391527 | CRO PUMP TO BRUSH DECK TUBE 980MM LG | | 1 |
| 8 | 219644 | M5 FORM G STAINLESS STEEL WASHER | | 6 |
| 9 | 219633 | M5 STAINLESS STEEL NYLON INSERT NUT | | 6 |

Numatic International Spare Parts

Model No: MINI RIDE ON DECK ASSEMBLY EXP

Internal Code: 599468
 DRAWING: DRW-15530 ISS:A03
 PRO 15/05/2015

NB: FOR WIRING SEE DRAWING: N/A



Numatic International Spare Parts

Model No: MINI RIDE ON DECK ASSEMBLY EXP

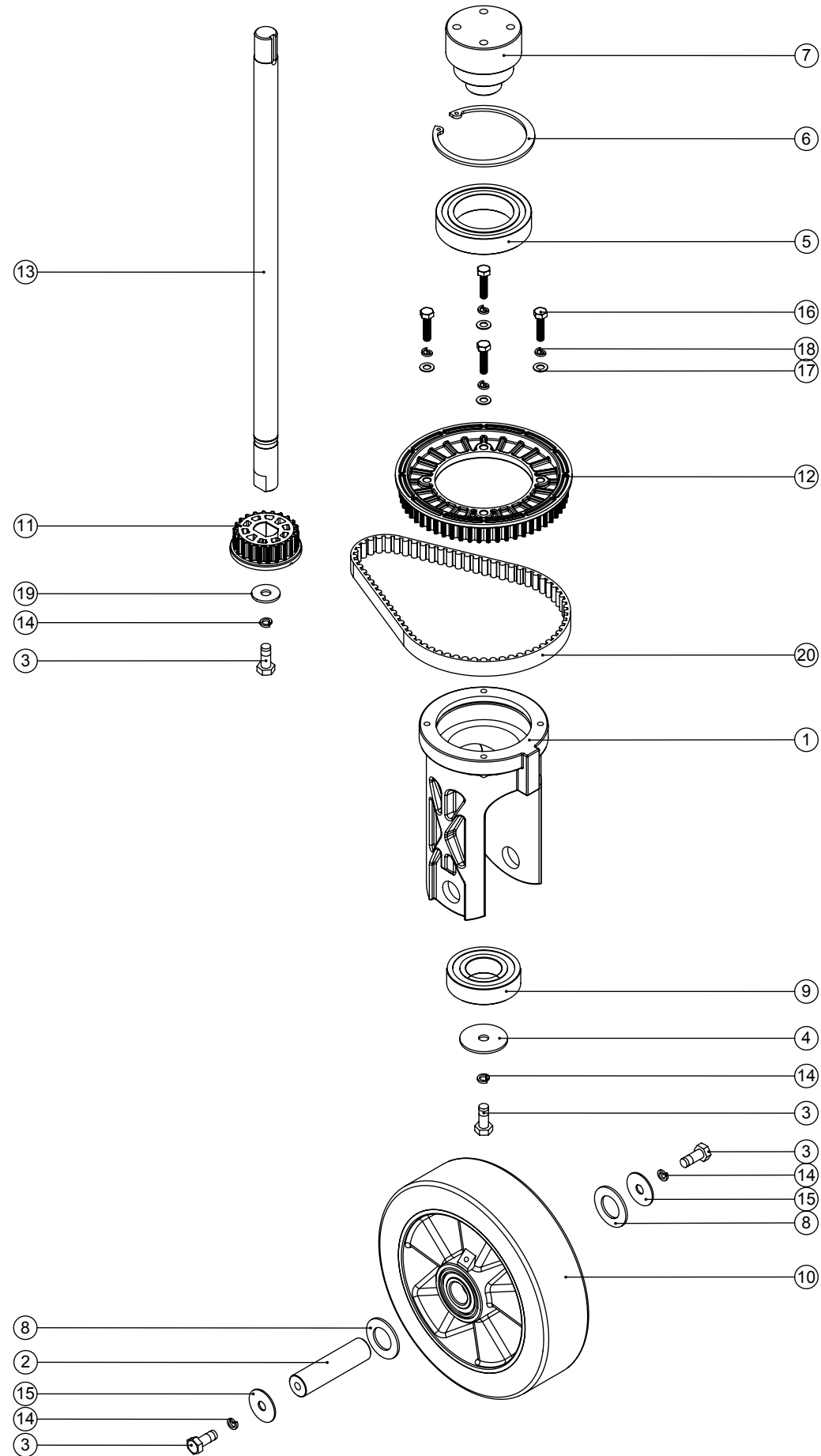
| ITEM: | PART No: | Description | QTY. |
|-------|----------|---|------|
| 1 | 237608 | DECK MOULDING | 1 |
| 2 | 392404 | MOTOR PLATE | 1 |
| 3 | 303942 | 100MM DIA WHEEL MODIFIED BORE (10.1MM DIAMETER) | 1 |
| 4 | 219639 | M8 STAINLESS STEEL NYLON INSERT NUT | 1 |
| 5 | 237609 | 550MM SPLASH SKIRT | 1 |
| 6 | 391523 | S/S 10MM O/D 8MM I/D X 28MM LONG | 1 |
| 7 | 219716 | M8 FORM G STAINLESS STEEL WASHER | 2 |
| 8 | 219922 | M8 X 50MM LONG SOCKET BUTTON HEAD STAINLESS STEEL BOLT | 1 |
| 9 | 205192 | MRP6 IP20 AMER MOTOR | 1 |
| 10 | 208933 | MINI RIDE ON DRIVE SHAFT | 1 |
| 11 | 230048 | 26MM EXTERNAL CIRCLIP | 1 |
| 12 | 291139 | 6MM X 16MM STAINLESS STEEL ROLL PIN | 2 |
| 13 | 230285 | MODIFIED CHUCK (BASED ON 230207) | 1 |
| 14 | 237730 | SPRING CLIP | 1 |
| 15 | 219683 | No6 X 3/8 INCH LONG POZI PAN BLACK COUNTERSUNK PLASTITE SCREW | 2 |
| 16 | 219925 | M6 x 25MM LONG STAINLESS STEEL HEX SCREW | 2 |
| 17 | 219560 | M6 FORM B STAINLESS STEEL WASHER | 6 |
| 18 | 219647 | M6 FORM G STAINLESS STEEL WASHER | 2 |
| 19 | 219642 | M6 STAINLESS STEEL NYLON INSERT NUT | 2 |
| 20 | 219719 | M6 X 16MM LONG HEXAGONAL STAINLESS STEEL HEAD BOLT | 4 |
| 21 | 219718 | M6 STAINLESS STEEL SPRING WASHER | 4 |
| 22 | 392405 | NRV MOUNTING BRACKET | 1 |
| 23 | 208965 | 8MM X 1/4" BSP MALE STAND PIPE NICKEL PLATED (17MM A/F) | 1 |
| 24 | 208966 | NON RETURN VALVE C/W 10MM HOSE TAIL NICKEL PLATED | 1 |
| 25 | 219688 | M4 FORM A STAINLESS STEEL WASHER | 1 |
| 26 | 291146 | M4 SINGLE COIL SPRING WASHER STAINLESS STEEL | 1 |
| 27 | 330206 | MOTOR SHAFT INSERT | 1 |
| 28 | 291164 | M4 X 8MM LONG TORX PAN TAPTITE SCREW S/S | 1 |

Numatic International Spare Parts

Model No: MINI RIDE ON STEERING ASSEMBLY EXP

Internal Code: N/A
 PRO DRAWING: DRW-15527 ISS:A03
 15/05/2015

NB: FOR WIRING SEE DRAWING: N/A



Numatic International Spare Parts

Model No: MINI RIDE ON STEERING ASSEMBLY EXP

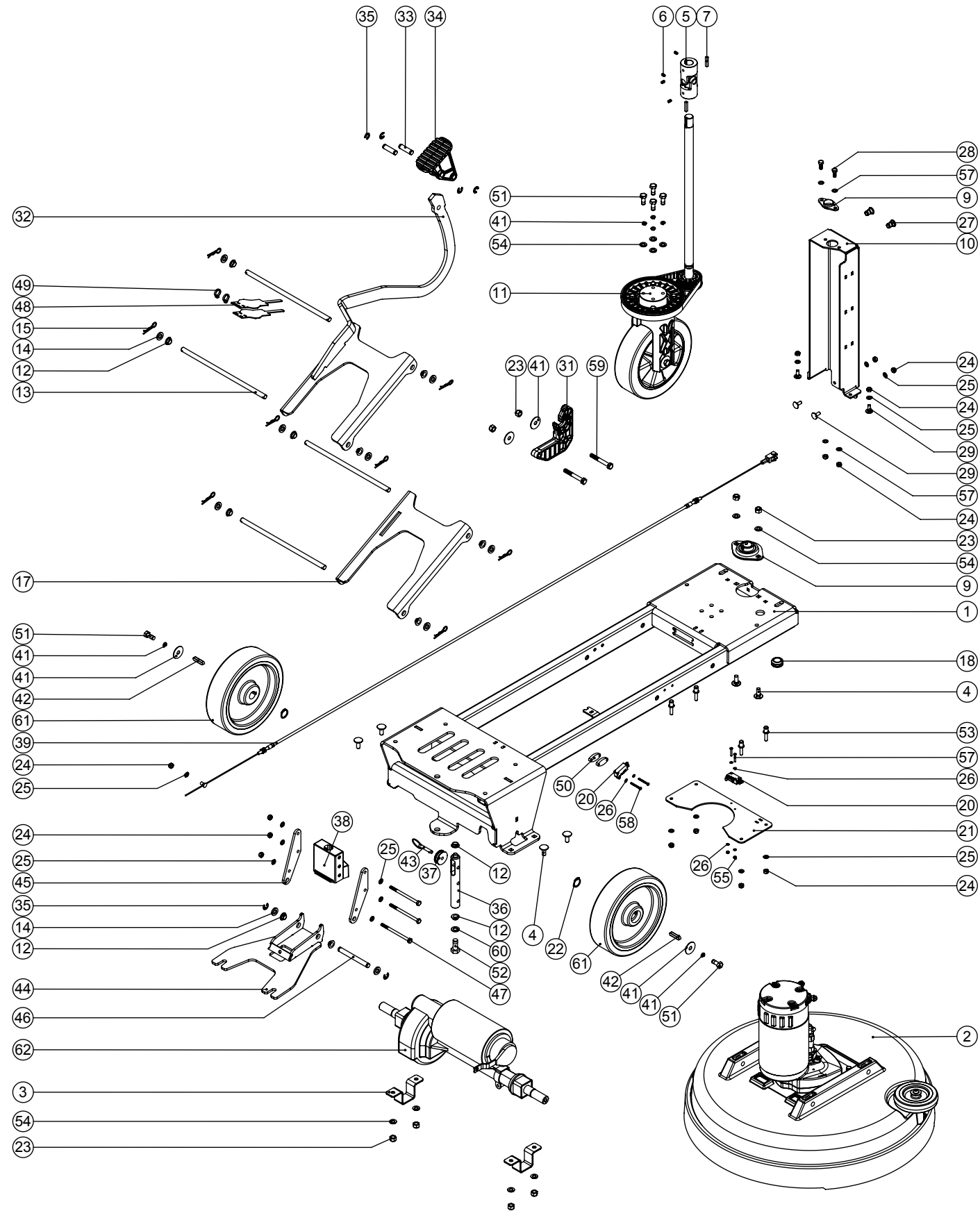
| ITEM: | PART No: | DESCRIPTION | COMMENTS: | QTY. |
|-------|----------|--|-----------|------|
| 1 | 208869 | STEERING YOKE | | 1 |
| 2 | 291110 | AXLE 20MM OD X 77MM LONG | | 1 |
| 3 | 291140 | M8 X 20MM LG HEX HEAD SCREW STAINLESS STEEL C/W THREADLOCK | | 4 |
| 4 | 392381 | STEERING WASHER | | 1 |
| 5 | 208871 | BEARING I/D50MM O/D80MM | | 1 |
| 6 | 208872 | 80MM INTERNAL CIRCLIP | | 1 |
| 7 | 291109 | STEERING SPIGOT | | 1 |
| 8 | 291162 | M20 FORM B STAINLESS STEEL WASHER | | 2 |
| 9 | 208878 | BEARING I/D30MM O/D62MM | | 1 |
| 10 | 204120 | WICKE 200 X 50MM ALU WHEEL | | 1 |
| 11 | 237679 | SMALL PULLEY 22TH | | 1 |
| 12 | 237680 | LARGE PULLEY 56TH | | 1 |
| 13 | 291108 | LOWER STEERING SHAFT | | 1 |
| 14 | 219898 | M8 SINGLE COIL STAINLESS STEEL WASHER | | 4 |
| 15 | 219877 | M8 X 30 STAINLESS STEEL WASHER | | 2 |
| 16 | 219925 | M6 x 25MM LONG STAINLESS STEEL HEX SCREW | | 4 |
| 17 | 219560 | M6 FORM B STAINLESS STEEL WASHER | | 4 |
| 18 | 219718 | M6 STAINLESS STEEL SPRING WASHER | | 4 |
| 19 | 219716 | M8 FORM G STAINLESS STEEL WASHER | | 1 |
| 20 | 208897 | BELT (GATES-GT3 560 8MGT 15MM) | | 1 |

Numatic International Spare Parts

Model No: MINI RIDE ON CHASSIS GENERAL ASSEMBLY EXP

Internal Code: 599530
 DRAWING: DRW-15518 ISS:A06
 PRO 15/05/2015

NB: FOR WIRING SEE DRAWING: WD-0???



Numatic International Spare Parts

Model No: MINI RIDE ON CHASSIS GENERAL ASSEMBLY EXP

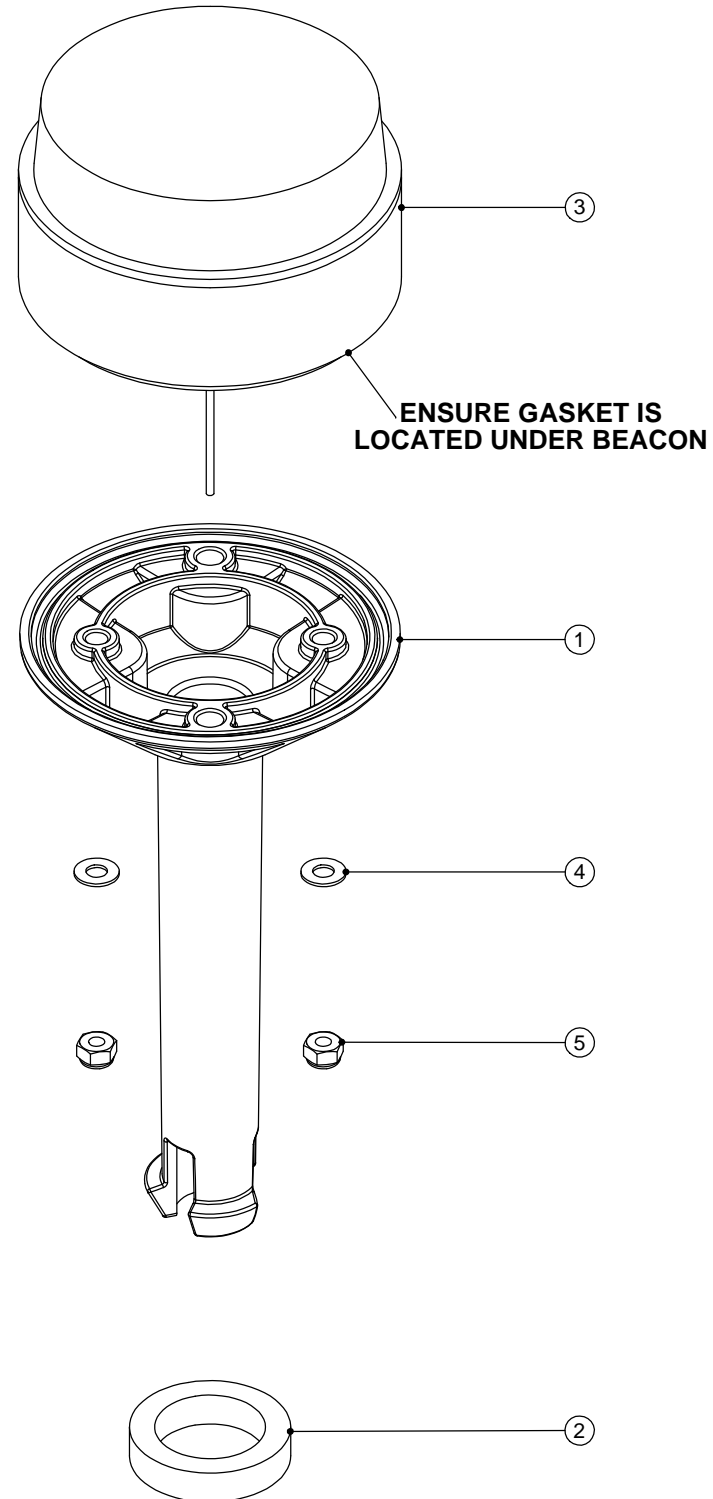
| ITEM: | PART No: | DESCRIPTION | COMMENTS: | QTY. |
|-------|----------|---|-----------------------------|------|
| 1 | 304515 | MINI RIDE ON CHASSIS WELD ASSEMBLY | | 1 |
| 2 | 599468 | MINI RIDE ON DECK ASSEMBLY | | 1 |
| 3 | 329780 | TRANSAXLE CLAMP | | 2 |
| 4 | 291104 | M8 X 20 COACH BOLT S/S | | 6 |
| 5 | 206936 | UNIVERSAL JOINT | | 1 |
| 6 | 219784 | M5 X 8MM LONG BLACKODISED GRUB SCREW | | 4 |
| 7 | | KEY WAY | C/W ITEM 5 | 2 |
| 9 | 208884 | 2 PART PRESSED FLANGE BEARING | | 1 |
| 9 | 208110 | IGUS (R) 2 BOLT PLAIN BEARING 20MM I/D | | 1 |
| 10 | 392418 | STEERING COLUMN SUPPORT BRKT | | 1 |
| 11 | - | MINI RIDE ON STEERING ASSEMBLY EXP | SEE DRW-15527 | 1 |
| 12 | 208330 | IGUS BEARING (GFM 101206) | | 12 |
| 13 | 291101 | PIVOT ROD | | 4 |
| 14 | 219964 | NYLON WASHER (18MM O/D X 10.4MM I/D X 3MM THICK) | | 10 |
| 15 | 291102 | SMALL R PIN (S MASTERS 89100 SS) | | 8 |
| 17 | 392393 | DECK LINK ARM | | 1 |
| 18 | 208143 | 20MM GROMMET X 6MM PANEL THICKNESS | | 1 |
| 20 | 208986 | IP RATED MICROSWITCH WITH ROLLER | | 2 |
| 21 | 392398 | SWITCH PLATE | | 1 |
| 22 | 219889 | 19MM HEAVY DUTY CIRCLIP | | 2 |
| 23 | 219639 | M8 STAINLESS STEEL NYLON INSERT NUT | | 8 |
| 24 | 219642 | M6 STAINLESS STEEL NYLON INSERT NUT | | 14 |
| 25 | 219870 | M6 FORM A WASHER STAINLESS STEEL | | 15 |
| 26 | 219501 | M3 FORM A STAINLESS STEEL WASHER | | 6 |
| 27 | 219750 | M8 HEADED NUTSERT | | 2 |
| 28 | 219719 | M6 X 16MM LONG HEXAGONAL STAINLESS STEEL HEAD BOLT | | 2 |
| 29 | 291103 | M6 X 16 COACH BOLT S/S | | 4 |
| 31 | 237677 | LATCH MOULDING | | 1 |
| 32 | 304513 | DECK LINK & PEDAL ARM WELD ASSY | | 1 |
| 33 | 291097 | 38 X10MM BAR (E TYPE CLIP) | | 2 |
| 34 | 237678- | PEDAL MOULDING | | 1 |
| 35 | 291107 | E TYPE CLIP (TO SUIT 10mm BAR) | | 6 |
| 36 | 291100 | SQUEEGEE PIVOT BAR | | 1 |
| 37 | 208898 | NYLON PULLEY 32MM OD | | 1 |
| 38 | 237676 | MULTI BLOCK MOULDING | | 1 |
| 39 | 291099 | CRO 8055 SQ. LIFT CABLE | | 1 |
| 41 | 219877 | M8 X 30 STAINLESS STEEL WASHER | | 4 |
| 41 | 219898 | M8 SINGLE COIL STAINLESS STEEL WASHER | | 6 |
| 42 | 206744 | 6MM X 6MM X 32MM FEATHER KEY | | 2 |
| 43 | 206953 | DETENT PINS | | 1 |
| 44 | 304516 | MOOSE PLATE WELD ASSEMBLY | | 1 |
| 45 | 392436 | PIVOT SIDE PLATE | | 2 |
| 46 | 291098 | 94 X10MM BAR (E TYPE CLIP) | | 1 |
| 47 | 291021 | M6 X 90MM LONG STAINLESS STEEL HEXAGONAL HEAD BOLT | | 3 |
| 48 | 392497 | SWITCH SPRING PLATE | | 2 |
| 49 | 220007 | BLACK CABLE TIE | | 2 |
| 50 | 392498 | 6MM SWITCH SPACER | | 2 |
| 51 | 291140 | M8 X 20MM LG HEX HEAD SCREW STAINLESS STEEL C/W THREADLOCK | | 6 |
| 52 | 291141 | M10 X 25MM LG HEX HEAD SCREW STAINLESS STEEL C/W THREADLOCK | | 1 |
| 53 | 291116 | M6 X 25 RIVET STUD | | 4 |
| 54 | 219578 | M8 FORM A STAINLESS STEEL WASHER | | 10 |
| 55 | 291154 | M3 NYLON INSERT NUT STAINLESS STEEL | | 2 |
| 57 | 291155 | M3 X 20MM LONG POZI PAN SCREW STAINLESS STEEL | | 2 |
| 57 | 219560 | M6 FORM B STAINLESS STEEL WASHER | | 4 |
| 58 | 291156 | M3 X 30MM LONG POZI PAN SCREW STAINLESS STEEL | | 2 |
| 59 | 291157 | M8 X 60MM LONG HEX BOLT STAINLESS STEEL | | 2 |
| 60 | 291163 | NYLON WASHER 18MM O/D X 10.5MM I/D X 2MM | | 1 |
| 61 | 901209 | 200 X 50 TRACTION WHEEL (PLASTIC) | | 2 |
| 62 | 323254 | 530MM ASI TRANSAXLE 21:1 HIGH SPEED (MK400) | 310070 CHAIN TAIL BRAKE KIT | 1 |

Numatic International Spare Parts

Model No: BEACON MOUNT ASSY

DRAWING: DRW-17381 ISS:A01.05
08/10/14

NB: FOR WIRING SEE DRAWING: WD-0???



Numatic International Spare Parts

Model No: BEACON MOUNT ASSY

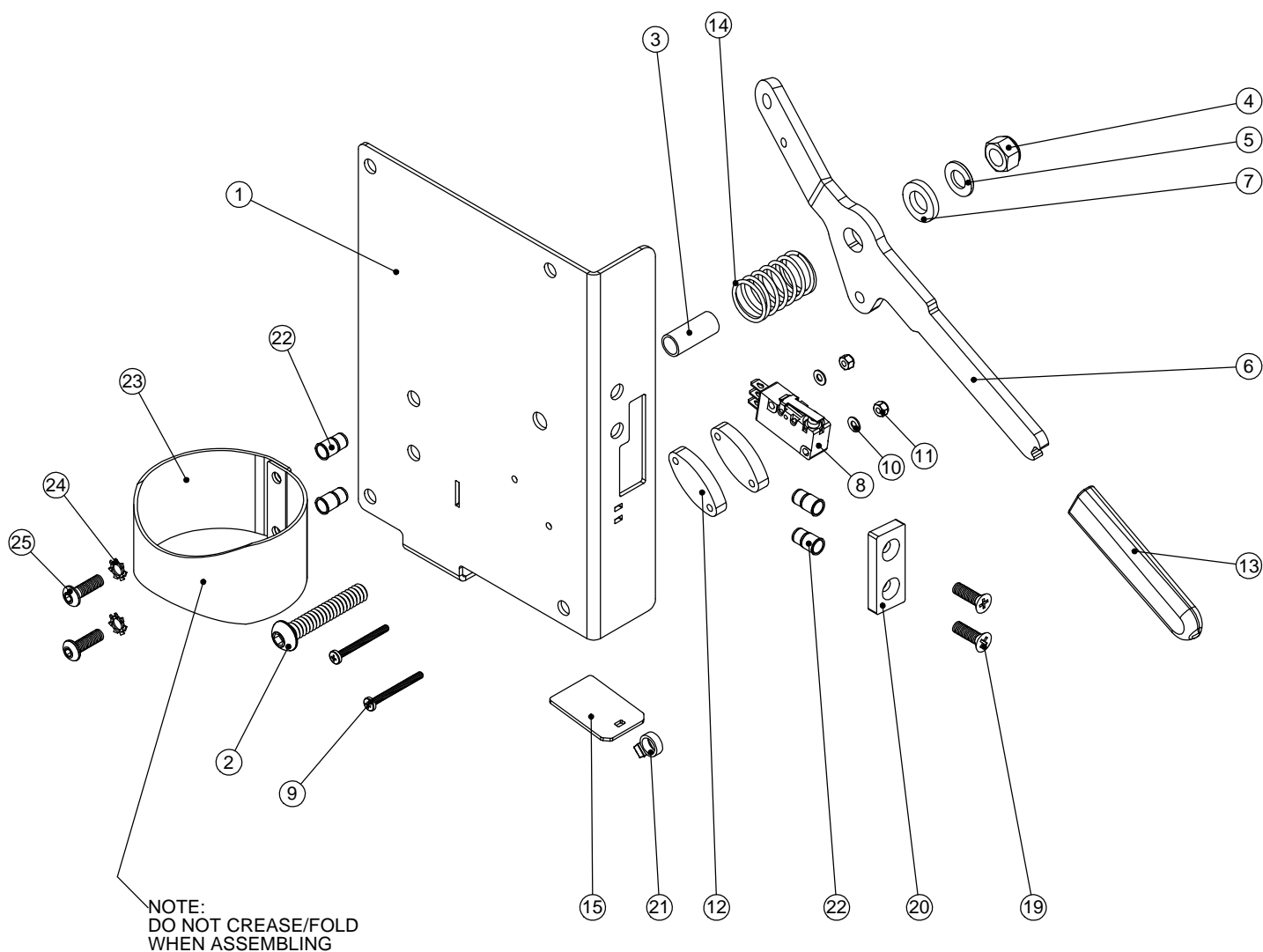
| ITEM: | PART No: | DESCRIPTION | COMMENTS: | QTY. |
|-------|----------|--|-----------|------|
| 1 | 237681 | BEACON MOUNT | | 1 |
| 2 | 208984 | 32MM O/D X 22MM I/D X 7MM SELF ADHESIVE GASKET | | 1 |
| 3 | 208867 | FLASHING XENON BEACON X80 SERIES | | 1 |
| 4 | 219688 | M4 FORM A STAINLESS STEEL WASHER | | 2 |
| 5 | 219687 | M4 STAINLESS STEEL NYLON INSERT NUT | | 2 |

Numatic International Spare Parts

Model No: FLOOR TOOL LIFTING PLATE ASSEMBLY EXP

DRAWING: DRW-16175 ISS:A01.08
09/10/2014

NB: FOR WIRING SEE DRAWING: WD-0???



Numatic International Spare Parts

Model No: FLOOR TOOL LIFTING PLATE ASSEMBLY EXP

| ITEM: | PART No: | DESCRIPTION | COMMENTS: | QTY. |
|-------|----------|---|-----------|------|
| 1 | 330195 | FLOOR TOOL LIFTING HANDLE BRACKET WELD ASSY | | 1 |
| 2 | 219822 | M8 X 45MM LONG SOCKET BUTTON STAINLESS STEEL HEAD BOLT | | 1 |
| 3 | 391191 | LEVER PIVOT SPACER (S/S 10MM O/D 8MM I/D X 24MM LONG) | | 1 |
| 4 | 219639 | M8 STAINLESS STEEL NYLON INSERT NUT | | 1 |
| 5 | 219578 | M8 FORM A STAINLESS STEEL WASHER | | 1 |
| 6 | 392431 | FLOOR TOOL LIFTING HANDLE | | 1 |
| 7 | 219964 | NYLON WASHER (18MM O/D X 10.4MM I/D X 3MM THICK) | | 1 |
| 8 | 208748 | IP RATED MICROSWITCH WITH TOGGLE | | 1 |
| 9 | 291156 | M3 X 30MM LONG POZI PAN SCREW STAINLESS STEEL | | 2 |
| 10 | 219501 | M3 FORM A STAINLESS STEEL WASHER | | 2 |
| 11 | 291154 | M3 NYLON INSERT NUT STAINLESS STEEL | | 2 |
| 12 | 392498 | 6MM SWITCH SPACER | | 2 |
| 13 | 206991 | LEVER HANDLE MOULDING | | 1 |
| 14 | 219592 | COMPRESSION SPRING | | 1 |
| 15 | 392499 | LIFT MECH.SWITCH PLATE | | 1 |
| 19 | 219572 | M5 X 16MM LONG POZI PAN COUNTERSUNK STAINLESS STEEL SCREW | | 2 |
| 20 | 208985 | NYLON GUIDER | | 1 |
| 21 | 220007 | BLACK CABLE TIE | | 1 |
| 22 | 219558 | M5 STAINLESS STEEL NUTSERT | | 4 |
| 23 | 392438 | BOTTLE PLATE | SEE NOTE | 1 |
| 24 | 291020 | M5 STAINLESS STEEL EXTERNAL SHAKEPROOF LOCK WASHER | | 2 |
| 25 | 219785 | M5 X 16MM LONG BUTTON HEAD STAINLESS STEEL SCREW | | 2 |