

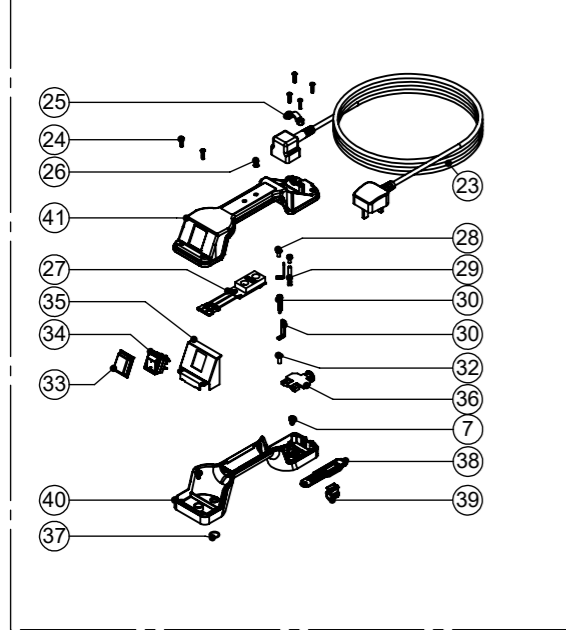
Numatic International Spare Parts

Model No: HEAD STYLE 41 - EXPLODED DRAWING

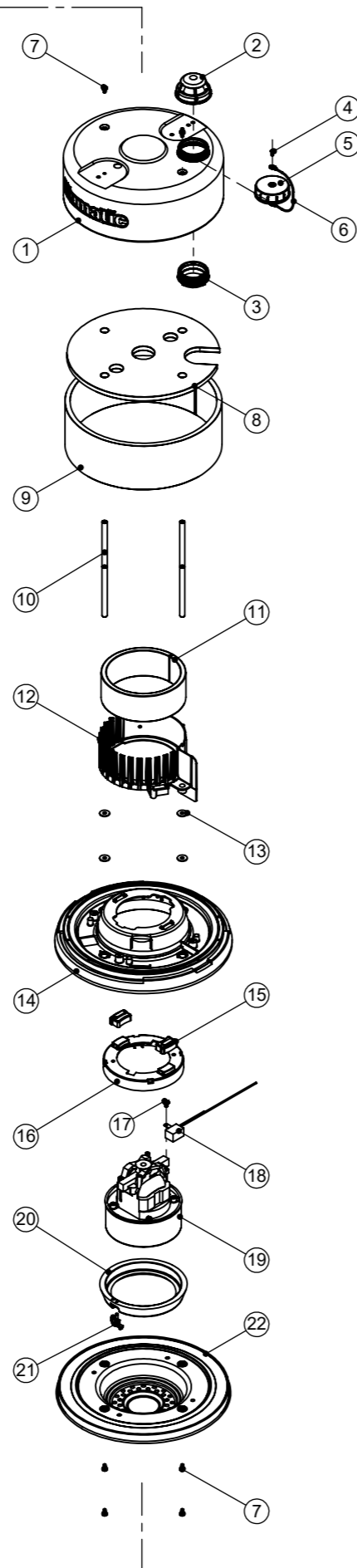
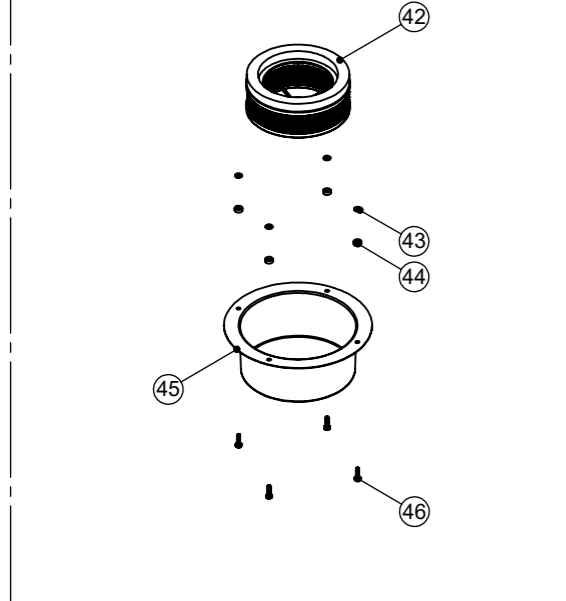
Internal Code: 906869
DRAWING: DRW-26046 ISS:A13
02/10/2019

Models: HZ;

HANDLE ASSEMBLY



PRE-MOTOR FILTER ASSEMBLY



Numatic International Spare Parts

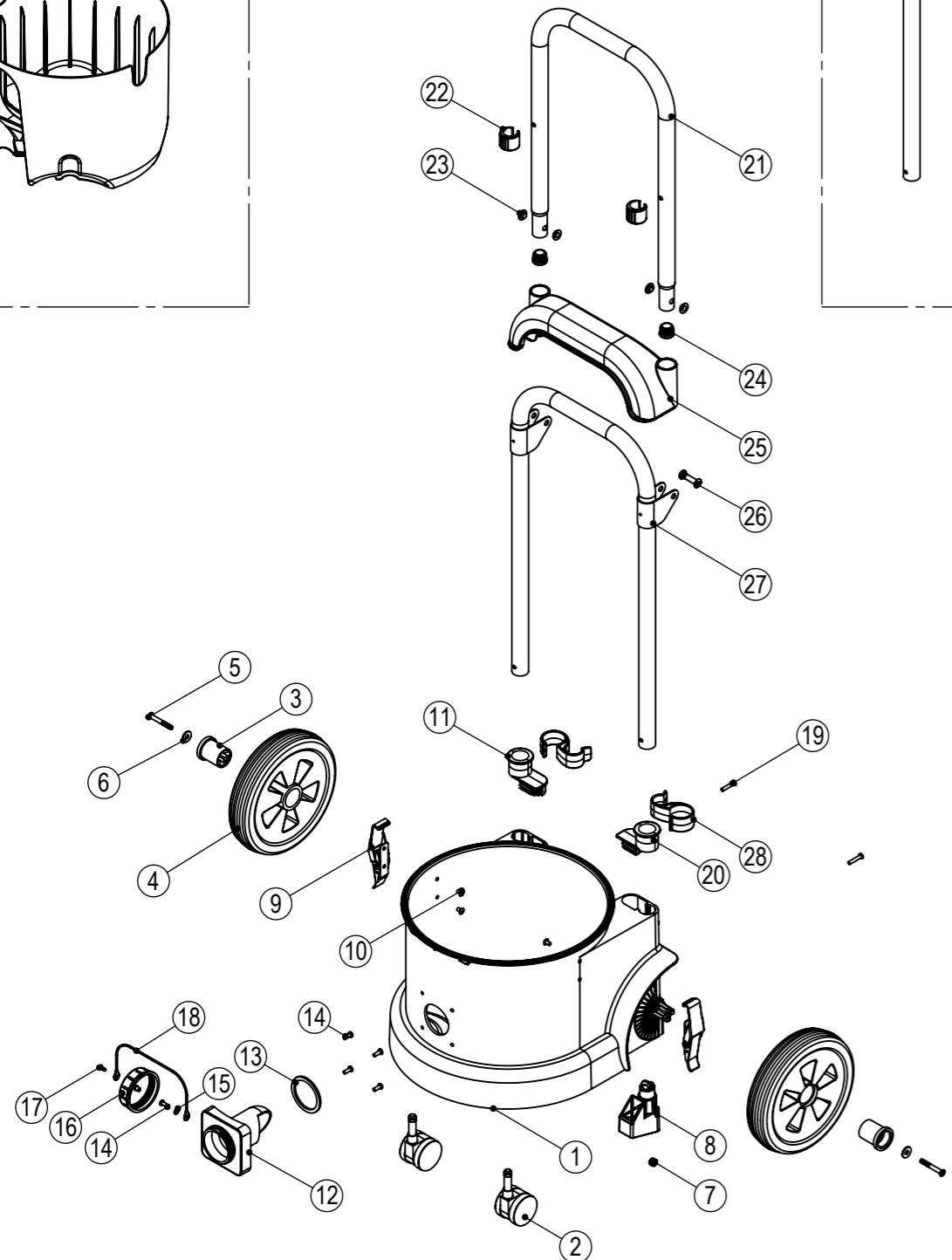
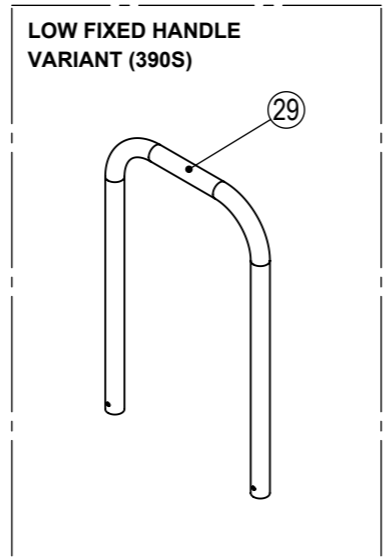
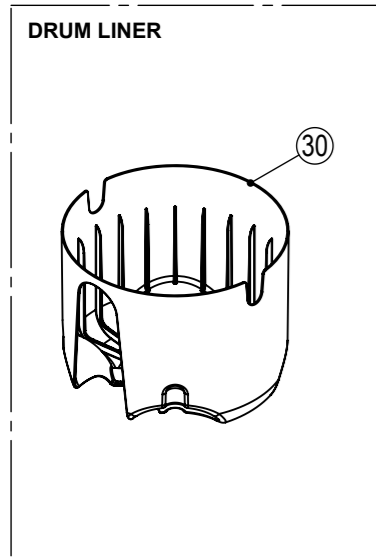
Model No: HEAD STYLE 41 - EXPLODED DRAWING

POS.	ITEM NO.	DESCRIPTION	QTY	COMMENTS
1	401704	BLACK HEAD TOP	1	
2	604151	AIR DIFFUSER FOR BLOWER TYPES (NQS)	1	
3	227029	END FITTING	1	
4	219301	No6 X 3/8 INCH LONG POZI PAN SELF TAP SCREW	1	
5	206363	BLANKING CAP	1	
6	303037	BLANKING CAP FIXING WIRE	1	
7	219047	M5 X 10MM LONG POZI PAN SEMS SCREW	8	
8	303026	TOP FELT PUNCHED	1	
9	303024	HZ 250/300/350 SIDE FELT PUNCHED	1	
10	208003	115MM LONG ALUMINIUM SPACER	4	
11	203020	NVQ/NQS POD SIDE FELT (LAMB MOTOR)	1	
12	227883	NOISE REDUCTION POD (AMETEK TWO STAGE MOTOR)	1	
13	219876	1/4 X 3/4 X 16G PLAIN WASHER TABLE 5 ZINC PLATED	4	
14	906828	TOP MOTOR HOUSING - INCLUDING OVER-MOULDED BRASS INSERTS	1	
15	227885	NVQ MOUNTING RUBBER (AMETEK MOTOR)	2	
16	227886	MOTOR SPACER (AMETEK DAF MOTOR)	1	
17	219858	M5 x 8MM HEX WASHER FACED TAPFIX (DIN7500D)	1	
18	230074	DELTA SUPPRESSOR (LAMB MOTOR)	1	
19	205403	230V 2 STAGE THRO FLOW TAPER FAN MOTOR (DL21104T) TCO	1	
20	907589	MOTOR GASKET (2 STAGE WITH AIR BLEED HOLE)	1	
21	907614	LOW FLOW PRESSURE TAP (1 & 2 STAGE MOTOR) (CLOSED TUBE HOLE)	1	
22	907067	BMH PROCESSED WITH HOLES FOR FILTER CAP	1	
HANDLE ASSEMBLY				
23	236010	10.0M X 1.00MM X 3 CORE NUCABLE (UK PLUG)	1	UK VARIANT
	236014	10.0MT X 1MM X 3 CORE CABLE (SOCKET + PLUG) EURO		EURO VARIANT
24	219107	NO6.5/8 INCH LG.POZI-PAN.SCREW.Z/PL.PLASTITE	6	
25	227564	CABLE CLAMP 10A PLUGGED V83 ONLY	1	
26	220381	AMBER LENS	1	
27	909213	LOW FLOW INDICATOR PCB ASSEMBLY 230V	1	
28	291151	M4 X 10MM LONG T20 SEMS SCREW Z/PL - PRODUCT CODE 8.8 - TX20 HEAD	2	
29	206562	CONTACT PIN	2	
30	902207	M4 X 25MM LG 'STETS' SCREW	1	
30	206563	EARTH CONTACT PIN	1	
32	220078	BRASS EARTHING SPACER	1	
33	206573	SWITCH COVER (PLUG HANDLE)	1	
34	220552	RED ROCKER SWITCH (WHITE PRINT)	1	
35	227635	SWITCH MOUNTING BRACKET (1 SWITCH)	1	
36	227631	TERMINAL COVER & CLAMP (3 PIN)	1	
37	219363	O-RING	1	
38	227636	STRAIN RELIEF ARM (SOCKET)	1	
39	227637	CABLE CLIP	1	
40	904996	HANDLE BASE 2 INSERTS	1	
41	320678	HANDLE COVER DRILLED FOR HZ (PLUGGED) 10 AMP 3 PIN	1	
PRE-MOTOR FILTER ASSEMBLY				
42	901649	H13 FILTER CARTRIDGE (MF)	1	
43	219462	RUBBER WASHER REF NO. 0380810	4	
44	227165	4.67MM LONG SPACER	4	
45	401005	MF 300/350 SPUN CUP PAINT BLACK	1	
46	219546	M5 X 20MM LONG POZI PAN SEMS SCREW	4	

Numatic International Spare Parts

Model No: DRUM STYLE 29 - 390 DRUM (LOW NECK & FOLDING HANDLE / LOW FIXED HANDLE) - EXPLODED DIAGRAM

Internal Code: 907630; 908361; 908362;
908402; 908400;
PP DRAWING: DRW-27239 ISS:A14



Numatic International Spare Parts

Model No: DRUM STYLE 29 - 390 DRUM (LOW NECK & FOLDING HANDLE / LOW FIXED HANDLE) - EXPLODED DIAGRAM

POS.	ITEM NO.	DESCRIPTION	QTY.
1	907596	390 DRUM (GRAPHITE) - PROCESSED FOR LOW NECK AND SIDE TOGGLES (206022)	1
	907064	390 DRUM (YELLOW) - PROCESSED FOR LOW NECK AND SIDE TOGGLES (206022)	
	908404	390 DRUM (GRAPHITE) - PROCESSED LOW NECK (NO SIDE TOGGLES)	
2	204111	50MM TWIN WHEEL CASTOR WITH PU TYRE	2
3	237120	HUB CAP	2
4	204104	8 INCH WHEEL	2
5	219881	M6 X 45MM SOCKET BUTTON HEAD SCREW	2
6	219008	M6 FORM G WASHER	2
7	219088	M6 NYLON INSERT NUT	2
8	237319	SYMETRIC HUB SUPPORT	2
9	206022	SMALL CLAW TOGGLE (ZINC PLATE FINISH)	2
10	219335	AVDEL RIVET	4
11	907489	HANDLE CAVITY PLUG - PART B (RIGHT) - 390 DRUM	1
12	303035	DRILLED DRUM FLANGE	1
13	202027	HOSE FLANGE GASKET	1
14	291152	NO8. 1/2 INCH LG. T20. SCREW. Z/PL. PLASTITE	5
15	219003	M5 FORM A STEEL WASHER	1
16	206363	BLANKING CAP	1
17	219301	No6 X 3/8 INCH LONG POZI PAN SELF TAP SCREW	1
18	303037	BLANKING CAP FIXING WIRE	1
19	291082	#8 SCREW 1"L T20 PAN HEAD P/L THREAD FORMING	2
20	907584	HANDLE CAVITY PLUG - PART A (LEFT) - 390 DRUM	1
FOLDING HANDLE VARIANT (390L)			
21	907091	FOLDING HANDLE - 390 DRUM - FOLDING UPPER	1
22	206295	PLASTIC SADDLE FOOT	2
23	219417	UNIFIED M/C SCREW INSULATOR	4
24	-	22MM ROUND RIBBED INSERT (111038)	2
25	907575	FOLDING HANDLE - CROSSBAR (GAS INJECTION) - 390 DRUM	1
26	219802	M6 CONNECTING SCREW	2
27	907600	FOLDING HANDLE - 390 DRUM - FIXED LOWER WITH METAL BRACKETS	1
28	907586	FOLDING HANDLE - SECURING CLIP	2
LOW FIXED HANDLE VARIANT (390S)			
29	907506	FIXED LOW HANDLE - 390 DRUM	1
DRUM LINER			
30	908340	DRUM LINER (COMPATIBLE WITH 370, 380 AND 390 DRUMS)	1