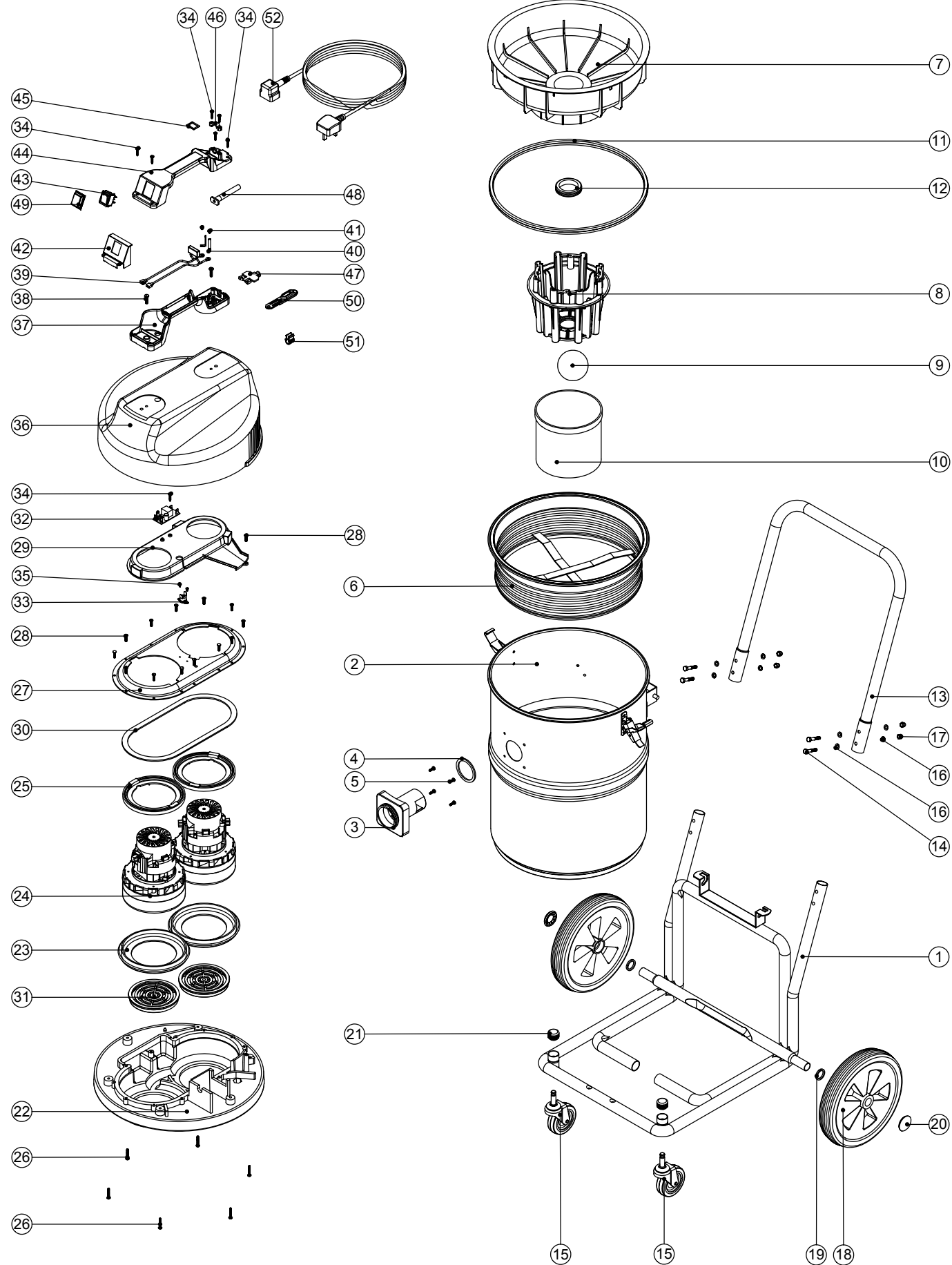


Numatic International Spare Parts

Model No: WVD750T-2 EXPLODED DRAWING

234347

DRAWING: EXP-0778 ISS:A01
11/05/2005



Numatic International Spare Parts

Model No: WVD750T-2 EXPLODED DRAWING

POS:	ITEM NO:	DESCRIPTION:	COMMENTS:
1	302143	(STAINLESS STEEL) CHASSIS ASSEMBLY	
2	300312	STAINLESS STEEL DRUM ASSEMBLY	
3	206117	FLANGE	
4	202027	HOSE FLANGE GASKET	
5	219101	No8 X 1/2 INCH LONG POZI PAN PLASTIITE SCREW	
6	207030	WHITE FILTER ASSEMBLY	
7	225101	FLOAT MOULDING	
8	225130	MOULDED FLOAT CAGE	
9	206026	POLYPROP BALL	
10	207073	GAUZE FILTER	
11	202036	FLOAT MOULD EXTRUSION SEAL	
12	220235	FLOAT GROMMET	
13	402210	BLACK PLASTIC COATED HANDLE	
14	219064	M6 X 35MM LONG HEX BOLT	
15	204060	3 INCH CASTOR	
16	219007	M6 FORM B WASHER	
17	219080	M6 DOMENUT	
18	204028	10 INCH WHEEL	
19	219505	NYLON WASHER	
20	219504	STARLOCK PUSH ON FASTENER	
21	20637V	25.4MM TUBE END STOP	
22	301048	PROCESSED BOTTOM MOTOR HOUSING	
23	202005	MOTOR BOTTOM GASKET	
24	205411	240V 2 STAGE D.I BYPASS ACUSTEK MOTOR (BL21104)(MARKED 230V)	
	205410	220V 2 STAGE D.I BYPASS ACUSTEK MOTOR (BL21102)(MARKED 230V)	
	205409	120V 2 STAGE D.I BYPASS ACUSTEK MOTOR (BL21101)	
25	227925	TOP MOTOR GASKET	
26	219369	No8 X 1 INCH LONG POZI PAN STAINLESS STEEL PLASTITE SCREW	
27	325526	TOP MOTOR HOUSING (DUPLEX)	
28	219370	No8 X 5/8 INCH LONG PLASTITE STAINLESS STEEL SCREW	
29	227928	570 AIR SEPERATOR (LAMB BYPASS MOTOR DUPLEX)	
30	202012	GASKET	
31	206010	FAN GUARD	
32	220555	230V DELAY START MODULE	
	220556	120V DELAY START MODULE	
33	220532	THERMOSTAT	
34	219107	No6 X 5/8 INCH LONG POZI PAN PLASTITE SCREW	
35	219491	M5 X 3MM LONG POZI PAN TAPTITE SCREW	
36	227043	COVER MOULDING	
37	320686	HANDLE BASE MOULDING	
38	219546	M5 X 20MM LONG POZI PAN SEMS SCREW	
39	220142	SUPPRESSOR ASSEMBLY	
40	206562	CONTACT PIN	
41	219090	M4 X 8MM LONG POZI PAN SEMS SCREW	
42	227635	SWITCH MOUNTING BRACKET (1 SWITCH)	
43	220843	BLUE ROCKER SWITCH	
44	227625	HANDLE COVER (10AMP / 2 PIN / 1 SWITCH)	
	227627	HANDLE COVER HARD WIRE 1 SWITCH	
45	202000	TERMINAL GASKET	
46	227564	PLUG LOCATION CLAMP	
47	227632	TERMINAL COVER & CLAMP	
48	220923	STRESS RELIEF	
49	206573	SWITCH COVER (PLUG HANDLE)	
50	227636	STRAIN RELIEF	
51	227637	CABLE CLIP	
52	236009	10.0M X 1.00MM X 2 CORE NUCABLE (UK PLUG)	
	236013	10.0M X 1.00MM X 2 CORE NUCABLE (EURO PLUG)	
	236017	10.0M X 1.00MM X 2 CORE NUCABLE (SWISS PLUG)	
	236021	10.0M X 1.00MM X 2 CORE NUCABLE (SOUTH AFRICAN PLUG)	
	236029	10.0M X 1.00MM X 2 CORE NUCABLE (AUSTRALIAN PLUG)	
	236065	10.0M X 2 CORE X 2.5MM CABLE PLUS 32AMP INDUSTRIAL PLUG	