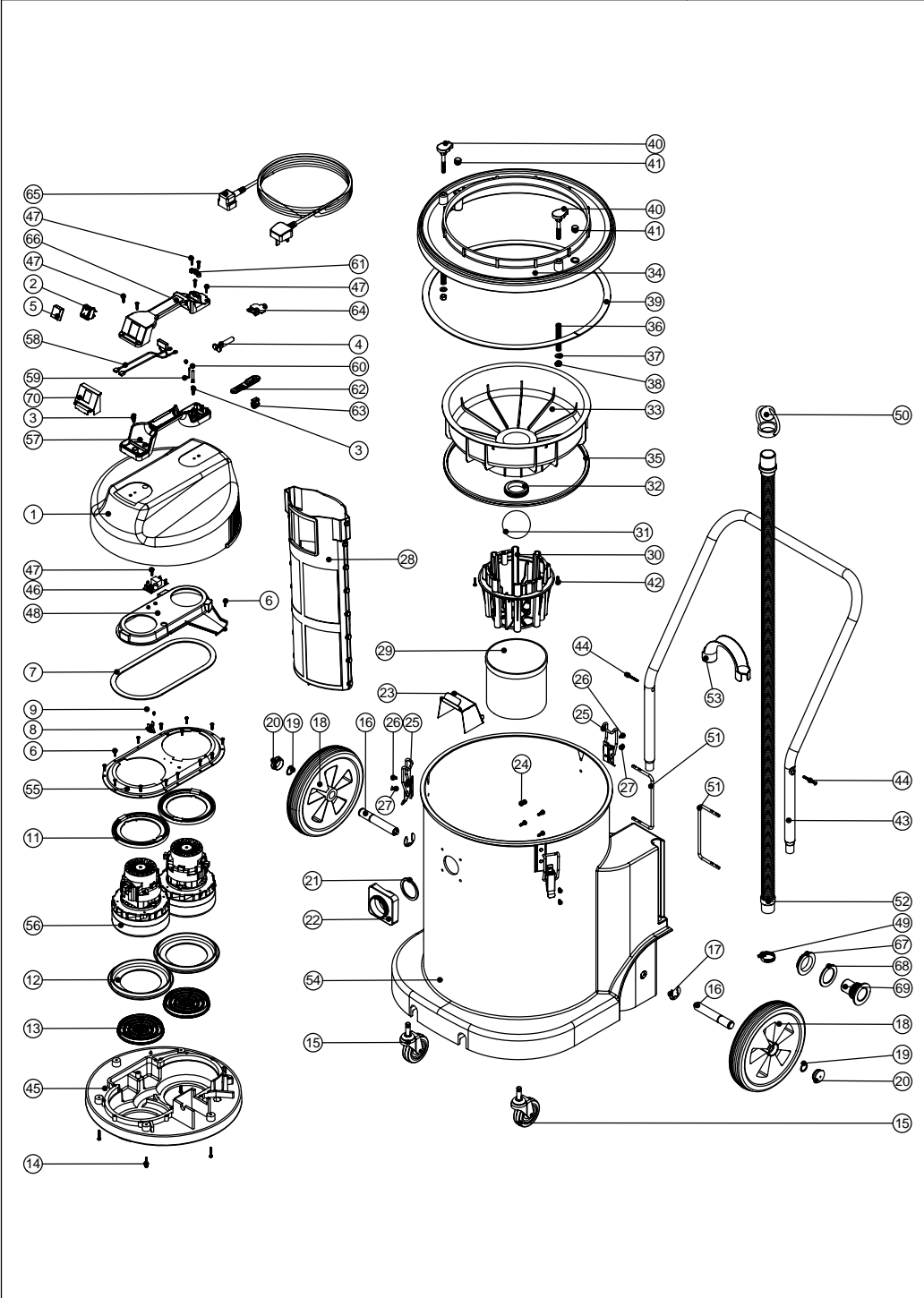


Numatic International Spare Parts

Model No:WVD 1800DH-2 EXPLODED DRAWING

234294
DRAWING: EXP-0725 ISS:A04
26/06/2008



Numatic International Spare Parts

Model No: WVD 1800DH-2 EXPLODED DRAWING

POS:	ITEM NO:	DESCRIPTION:	COMMENTS:
1	227043	COVER MOULDING	
2	220843	BLUE ROCKER SWITCH	
3	219546	M5 X 20MM LONG POZI PAN SEMS SCREW	
4	220132	STRESS RELIEF SLEEVE	
5	220238	SWITCH BOOT	
6	219370	No8 X 5/8 INCH LONG PLASTITE STAINLESS STEEL SCREW	
7	202012	GASKET	
8	220532	THERMOSTAT	
9	219491	M5 X 3MM LONG POZI PAN TAPTITE SCREW	
10	219471	M4 X 12MM LONG POZI PAN SEMS SCREW	
11	227925	TOP MOTOR GASKET	
12	202005	MOTOR BOTTOM GASKET	
13	206010	FAN GUARD	
14	219369	No8 X 1 INCH LONG POZI PAN STAINLESS STEEL PLASTITE SCREW	
15	204060	3 INCH CASTOR	
16	206452	STUB AXLE	
17	219306	E-CLIP	
18	204028	10 INCH WHEEL	
19	219308	CIRCLIP	
20	206131	BLACK PLASTIC CAP	
21	202027	HOSE FLANGE GASKET	
22	214001	DIE CAST FLANGE	
23	303482	WATER DEFLECTOR	
24	219045	M5 X 16MM LONG POZI PAN SEMS SCREW	
25	206135	TOGGLE FASTENER	
26	219047	M5 X 10MM LONG POZI PAN SEMS SCREW	
27	219330	M5 X 12MM LONG POZI PAN COUNTRSUNK SCREW	
28	207110	FILTER ASSEMBLY	
29	207073	GAUZE FILTER	
30	225130	MOULDED FLOAT CAGE	
31	206026	POLYPROP BALL	
32	220235	FLOAT GROMMET	
33	225101	FLOAT MOULDING	
34	226021	BOTTOM PLATE MOULDING	
35	202036	FLOAT MOULD EXTRUSION SEAL	
36	219418	COMPRESSION SPRING	
37	219010	M8 FORM A WASHER	
38	219078	M8 NYLON INSERT NUT	
39	212024	INSEAL	
40	206242	HOOKEED KNOB	
41	206243	RIBBED TUBE INSERT	
42	219568	No8 X 3/4 INCH LONG POZI PAN STAINLESS STEEL SCREW	
43	402100	BLACK HANDLE	
44	219316	No10 X 43MM LONG POZI PAN COUNTER SUNK PLASTITE SCREW	
45	301048	PROCESSED BOTTOM MOTOR HOUSING	
46	220555	230V DELAY START MODULE	
	220556	115V DELAY START MODULE	
47	219107	No6 X 5/8 INCH LONG POZI PAN PLASTITE SCREW	
48	227928	570 AIR SEPERATOR (LAMB BYPASS MOTOR DUPLEX)	
49	219674	30/40MM DIAMETER STAINLESS STEEL JUBILEE CLIP	
50	206111	HOSE CLOSURE	
51	302098	HOSE BRACKET	
52	213039	900MM LONG DUMP HOSE Ø32MM	
53	206512	HOSE HOOK	
54	300144	WV/D1800DH GREY PROCESSED DRUM	
	300145	WV/D1800PH RED PROCESSED DRUM	
	300146	WV/D1800PH BLUE PROCESSED DRUM	
	300147	WV/D1800PH GREEN PROCESSED DRUM	
	300148	WV/D1800PH YELLOW PROCESSED DRUM	
55	325526	TOP MOTOR HOUSING (DUPLX)	
56	205411	240V 2 STAGE D.I BYPASS ACUSTEK MOTOR (BL21104)(MARKED 230V)	
	205409	120V 2 STAGE D.I BYPASS ACUSTEK MOTOR (BL21101)	
57	320835	HANDLE BASE MOULDING + INSERTS	
58	220142	SUPPRESSOR ASSEMBLY	
	220558	SUPPRESSOR ASSEMBLY	
59	206562	CONTACT PIN	
60	219090	M4 X 8MM LONG POZI PAN SEMS SCREW	
61	227564	PLUG LOCATION CLAMP	
62	227636	STRAIN RELIEF	
63	227637	CABLE CLIP	
64	227632	TERMINAL COVER & CLAMP	
65	236009	10.0M X 1.00MM X 2 CORE NUCABLE (UK PLUG)	
	236013	10.0M X 1.00MM X 2 CORE NUCABLE (EURO PLUG)	
	236017	10.0M X 1.00MM X 2 CORE NUCABLE (SWISS PLUG)	
	236021	10.0M X 1.00MM X 2 CORE NUCABLE (SOUTH AFRICA PLUG)	
	236029	10.0M X 1.00MM X 2 CORE NUCABLE (AUSTRALIA PLUG)	
	236065	10M X 2CORE X 2.5MM CABLE PLUS 32AMP INDUSTRIAL PLUG	HARDWIRED VERSION
	236063	10.0MT X 3CORE X 14AWG (YELLOW) SJTW 5-15P PLUG CSA	HARDWIRED VERSION
	227627	HANDLE COVER HARD WIRE 1 SWITCH	
66	227625	HANDLE COVER (10AMP / 2 PIN / 1 SWITCH)	
67	206116	BLACK NUT	
68	219310	RUBBER WASHER	
69	206228	DRAIN HOSE CONNECTOR	
70	227635	SWITCH MOUNTING BRACKET (1 SWITCH)	